

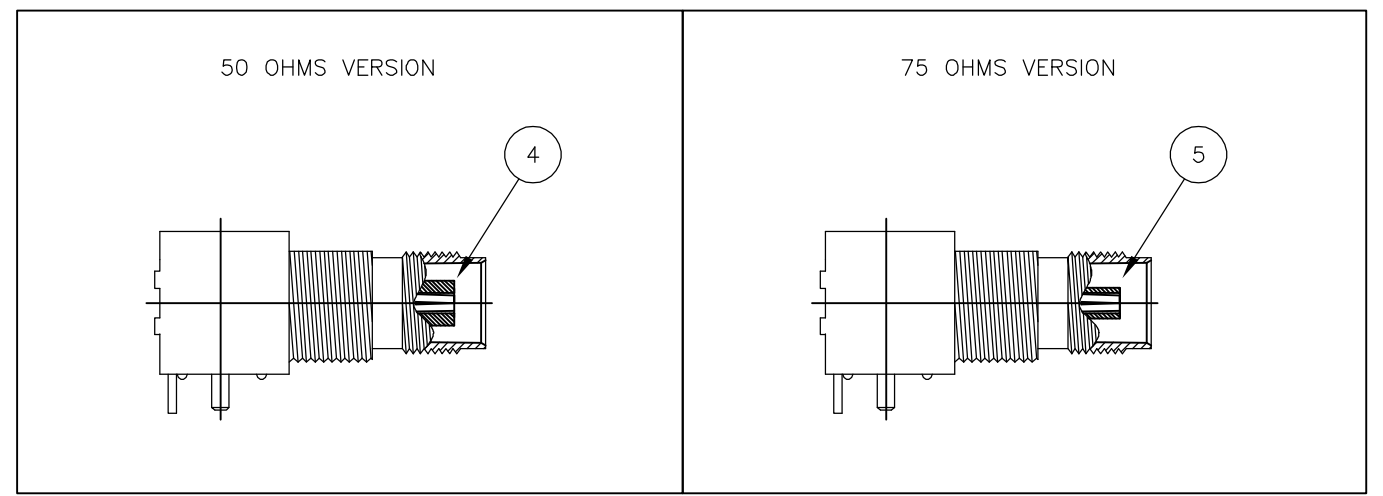
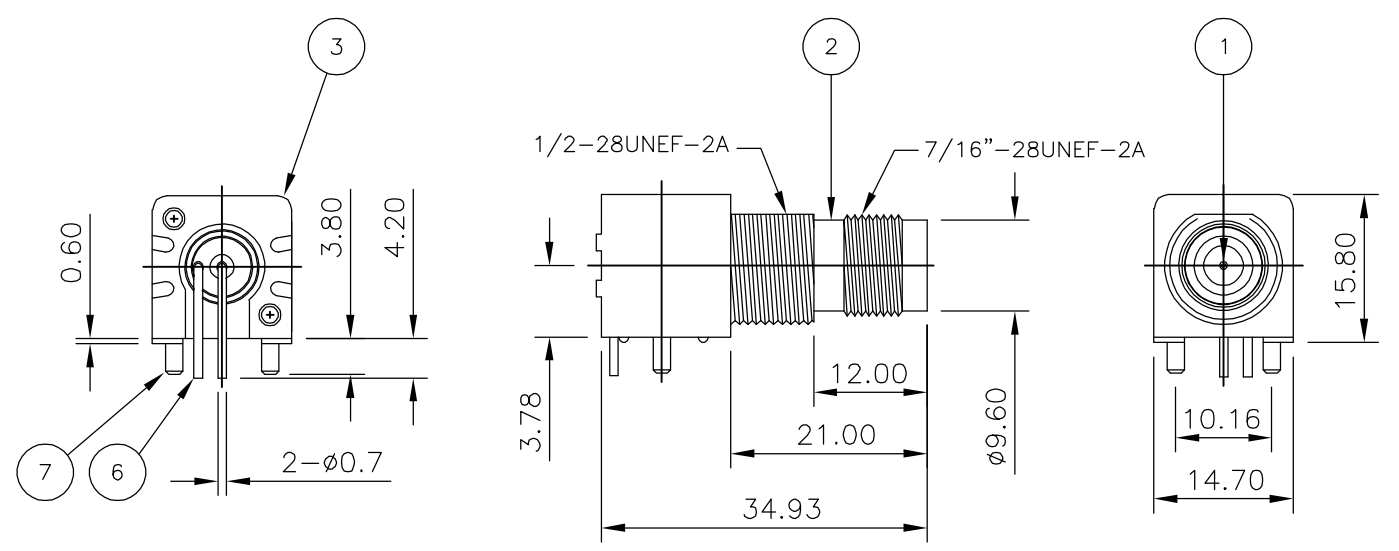
THIS DRAWING IS UNPUBLISHED. RELEASED FOR PUBLICATION OCTOBER ,2006.
 © COPYRIGHT 2006 BY TYCO ELECTRONICS CORPORATION. ALL RIGHTS RESERVED.

LOC	DIST	REVISIONS					
E	B	P	LTR	DESCRIPTION	DATE	DWN	APVD
		A		FIRST ISSUE	04OCT06	JMS	FWK

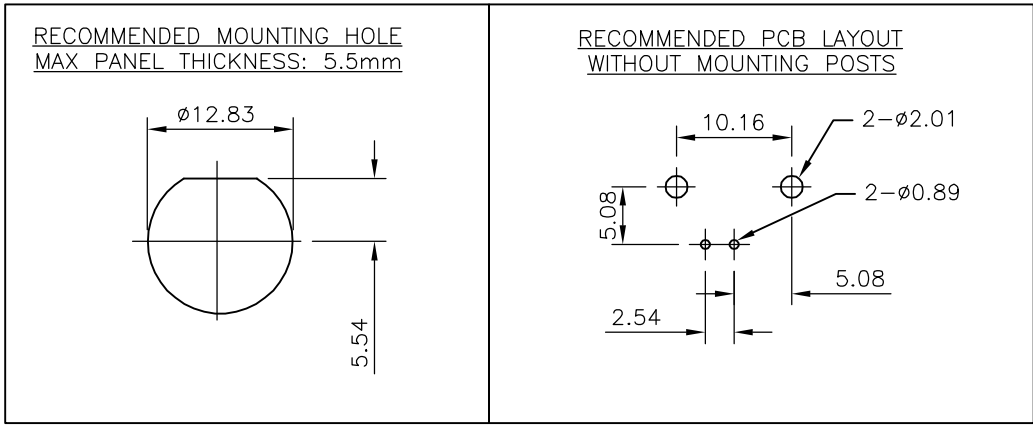
- NOTES:
- 1 SINGLE PACK IN ACCORDANCE WITH AMP SPEC 107-3275
 - 2 50 TRAY PACK IN ACCORDANCE WITH AMP SPEC 107-3275
 - 3 Au PLATING
 - 4 Ni PLATING
 - 5 RECOMMENDED MOUNT NUT 1-1634816-0
 - 6 RECOMMENDED LOCKWASHER 1-1634817-0
 - 7 CHARACTERISTICS

FREQUENCY RANGE:	50 OHM - DC - 4GHz
	75 OHM - DC - 2GHz
NOMINAL IMPEDANCE:	50 & 75 OHMS
WORKING VOLTAGE:	500V RMS
INSULATION RESISTANCE:	5000 MOHMS
DIELECTRIC WITHSTAND VOLTAGE:	1500V RMS
CONTACT RESISTANCE:	
CENTRE CONTACT	1.5 mOHMS
OUTER CONTACT	0.2 mOHMS
 - 8 MECHANICAL CHARACTERISTICS

DURABILITY:	50 CYCLES
-------------	-----------
 - 9 FOR TECHNICAL DATA REFER TO YOUR LOCAL TYCO ELECTRONICS SALES OFFICE
 - 10 ALL DIMENSIONS ARE NOMINAL FOR REFERENCE ONLY UNLESS OTHERWISE STATED



QTY	QTY	QTY	QTY	MATERIAL	DESCRIPTION	ITEM
2	2	2	2	BRASS	MOUNTING POST	7
1	1	1	1	BRASS	SOLDER TAIL	6
1	1	-	-	PE-606	INSULATOR	5
-	-	1	1	PE-606	INSULATOR	4
1	1	1	1	POLYESTER WHITE	BODY	3
1	1	1	1	ZINC ALLOY	BODY	2
1	1	1	1	PHOS BRONZE	CONTACT	1
5--3	5--2	5--1	5--0	MATERIAL	DESCRIPTION	ITEM
1	2	1	2			



THIS DRAWING IS A CONTROLLED DOCUMENT.		DWN J.SANDWELL 04OCT06	Tyco Electronics Corporation Bideford EX39 4HE	
DIMENSIONS: mm		CHK S.PARLOW 04OCT06		
TOLERANCES UNLESS OTHERWISE SPECIFIED:		APVD F.WHEELER-KING 04OCT06	NAME TNC R/A INSULATED PCB SOCKET	
0 PLC ± - 1 PLC ± - 2 PLC ± - 3 PLC ± - 4 PLC ± - ANGLES ± -		PRODUCT SPEC -	50 & 75 OHM	
MATERIAL SEE TABLE		APPLICATION SPEC N/A	SIZE A3	CAGE CODE 00779
FINISH SEE TABLE		WEIGHT -	DRAWING NO C-1814807	
CUSTOMER DRAWING			RESTRICTED TO -	
SCALE NTS			SHEET 1 OF 1	REV A