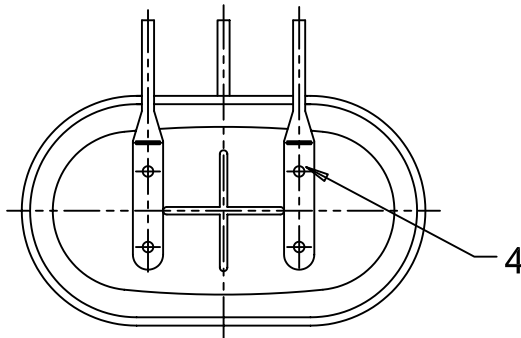
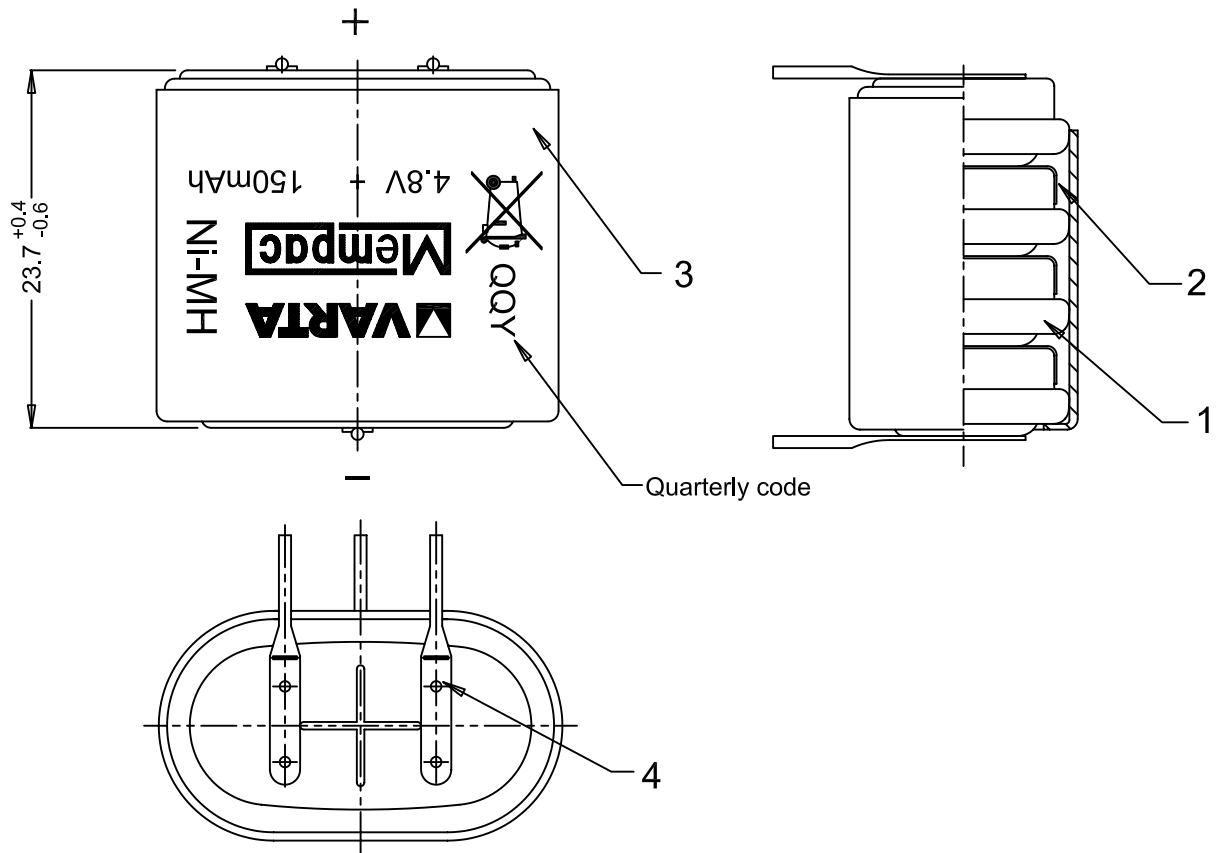
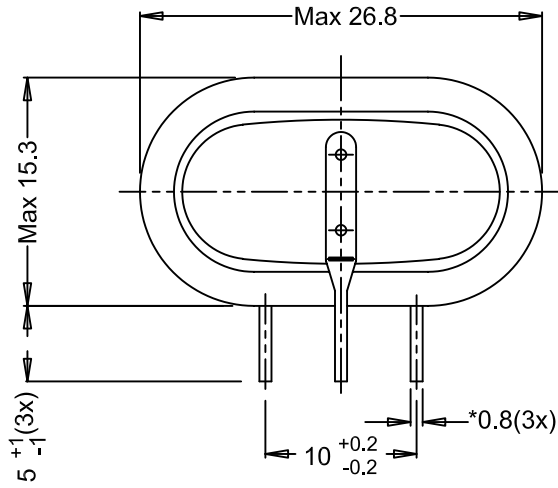


This is controlled document.
 Hardcopy to be endorsed by authorized person.
 Check with Issuing Officer or SAP system for latest update.



Note: *Dimensions for reference only

Approx. wt : 25 g

No	AO No	Revisions	Date	Name
3	R218/08	Add cross wheeled bin	2008-04-17	Syamsul
2	R001/04	Change code from 4 digit to 3 digit	2004-01-02	Tutik
1	R36/03	Terminal pin change to use Flatten model	2002-08-22	TitisWS

Projection:		Material: Refer to part list no: 063707		Description: 4/V150H battery with casing & terminal pin		
Dimensions in mm		Prepared & Checked 2001-02-20 Yeni		Verified & Approved		Dwg. No: 063707
Tolerance: As specified				VKB Order No: 55615 604 940		4 0 3
Scale: 2 : 1						

Rights reserved to make technical changes, as a result of further development, without notice. This drawing is the property of VARTA Microbattery and must not be copied or disclosed to a third party without the written consent of VARTA Microbattery.

