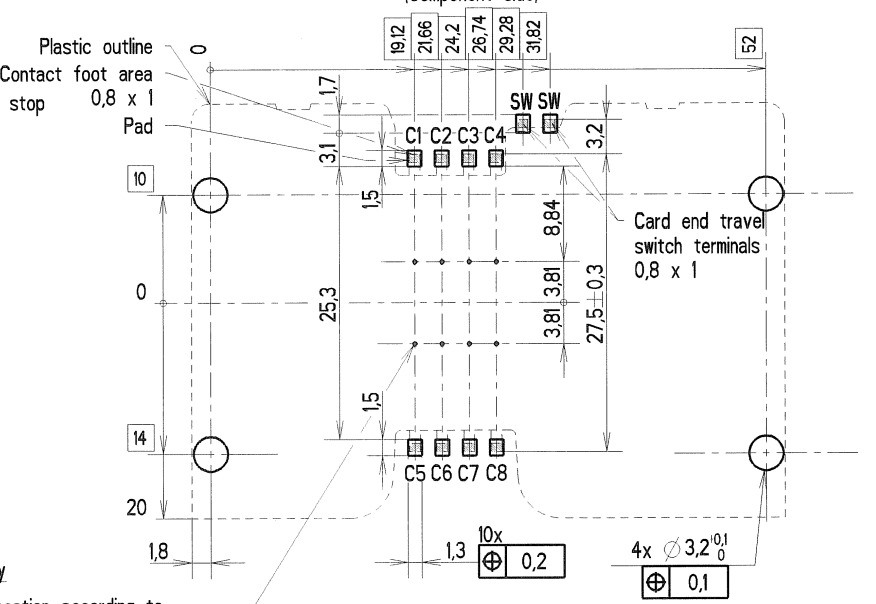
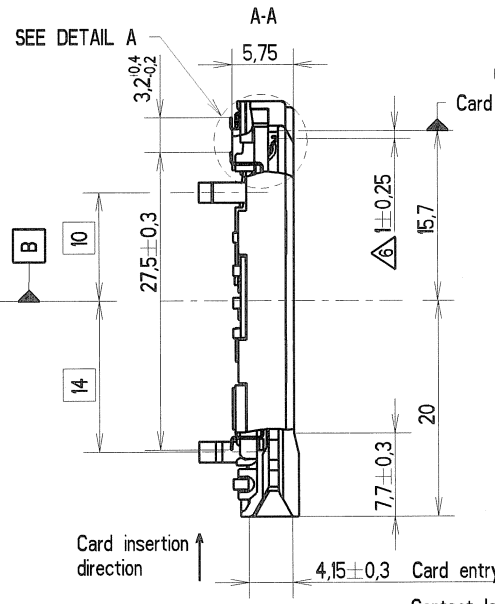
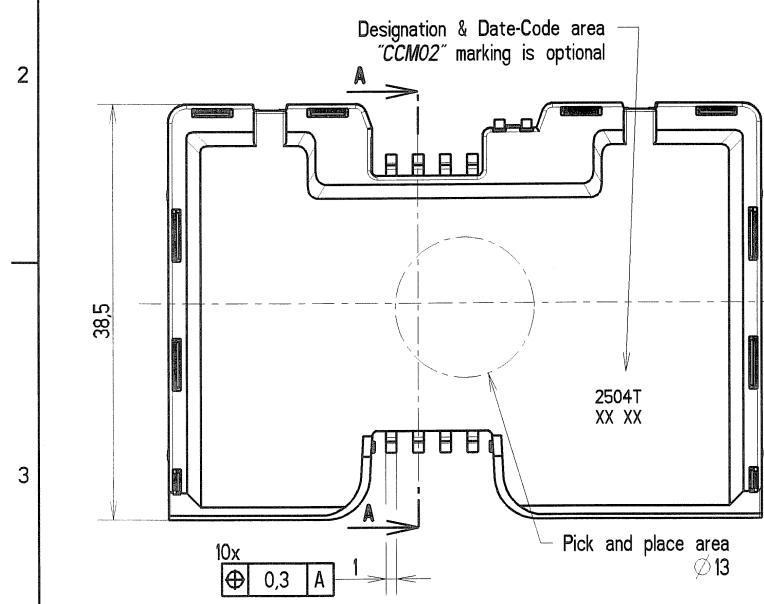
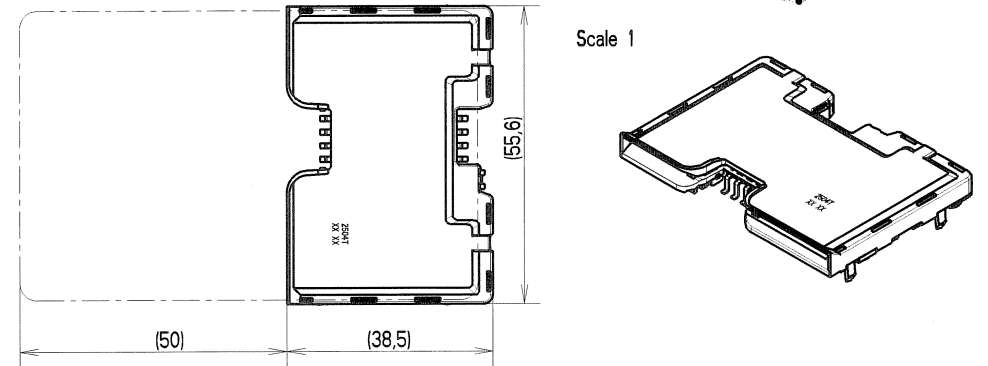
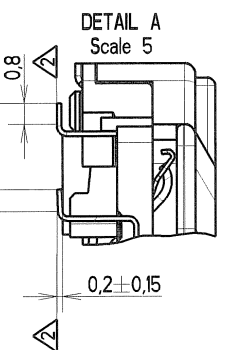
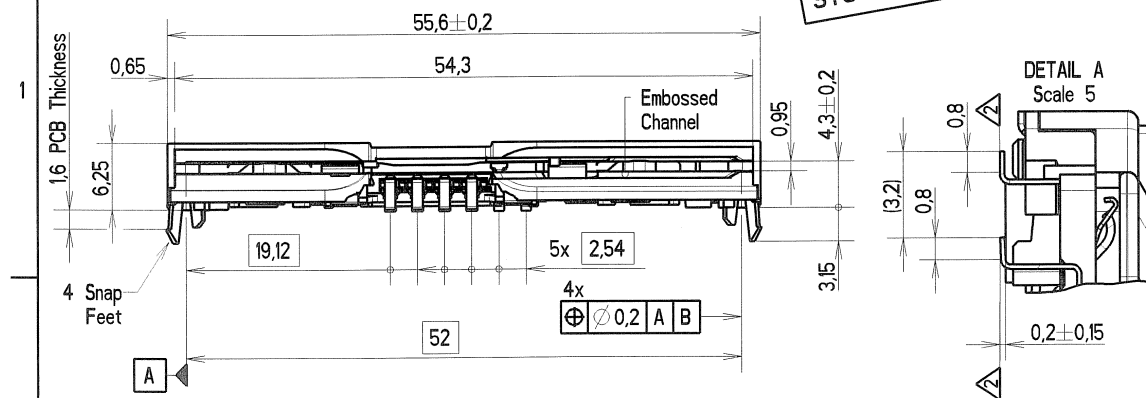


SYSTEM CONFIDENTIAL

REV.	N° DCR	NATURE DE LA MODIFICATION	DATE	VISA
C	ECR-1410	Marking deleted	25/03/2008	VP
D	ECR-2536	Plastic cover changed	16/07/2008	CD



- Notes :
- 1 - Termination to PCB : SMT reflow soldering Temperature/time profile according to : C&K PS-LF-001 specification.
 - 2 - Level of each contact tail compared to the nearest plastic stand-off.
 - 3 - Coplanarity of metal soldering surfaces : 0,15 mm.
 - 4 - Recommendation for solder paste thickness > 0,2 mm.
 - 5 - 2,5 microns min tin plating on contact terminal areas and 0,1 microns min gold plating on switch terminal areas.
 - 6 - Contacts forces :
 - max 0,5 N per contact with max. card thickness.
 - min 0,2 N per contact with min. card thickness.
 - 7 - Card end travel switch NO activates when the sliding card is 1 mm from the card stop.
 - 8 - For packaging on tray, see document : cu 030278Y0041
 - 9 - In case of customer accessories integration requesting an interface with CCM, please ask C&K for a 3D model.

MATIERE	TRAITEMENT			PROTECTION
SAUF INDIQUE : -COTES DONNEES AVANT PROTECTION -BAVURES ET ARETES VIVES SUPPRIMEES	TOL. LINEAIRE	± 0,1	TOL. ANGULAIRE	± 2 °
DESSINE	Y.PIZARD	DATE	28-07-05	ANALYSE
VERIFIE	G.PINON	DATE	16-07-08	TAB. FAM.
APPROUVE	J.HEBRAS	DATE	16-07-08	PRO/E
C&K Components			REPLACE	Y
PROJECTION 1ER DIEDRE		DESIGNATION		
Echelle 2		CCM02-2504LFT		
TAILLE		2x4 contacts SMT + switch NO		
FEUILLE		4 clips for 1,6 mm PCB		
NUMERO		REV		
BP 359 - 39105 Dole - FRANCE -		CU 030288Y2504 D		

CE PLAN EST LA PROPRIETE DE C&K COMPONENTS SAS ET NE PEUT ETRE REPRODUIT OU COMMUNIQUE SANS SON AUTORISATION