

PLAIN - SEALED IP68

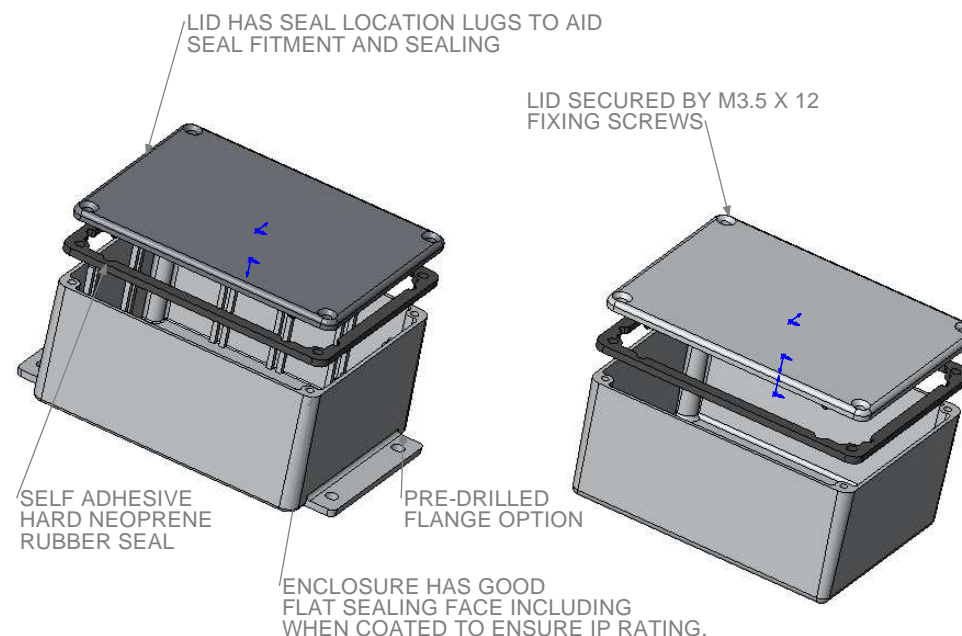
BOX SIZE (MM)					ORDER CODE		
PCB GUIDE	L	W	H	Size	Plain	Powder Coated	Nylon Coated
	88.9	34.9	30.5	A	480-0010	481-0010 **	482-0010 **
	114.3	63.5	30.5	B	480-0020	481-0020 **	482-0020 **
	114.3	88.9	55.9	C	480-0030	481-0030 **	482-0030 **
	114.3	64.5	55.9	D	480-0040	481-0040 **	482-0040 **
	171.5	120.6	55.9	E	480-0050	481-0050 **	482-0050 **
	171.5	120.6	106.7	F	480-0060	481-0060 **	482-0060 **
	222.3	146	56	G	480-0070	481-0070 **	482-0070 **
	222.3	146	106.7	H	480-0080	481-0080 **	482-0080 **
*	275	175	66	J	480-0090	481-0090 **	482-0090 **
*	139.7	101.6	77	K	480-0100	481-0100 **	482-0100 **
*	165	127	77	L	480-0110	481-0110 **	482-0110 **
*	120	100	36	M	480-0120	481-0120 **	482-0120 **
*	250	250	100.3	N	480-0130	481-0130 **	482-0130 **
*	80	55	26	P	480-0140	481-0140 **	482-0140 **
*	60	55	31	Q	480-0150	481-0150 **	482-0150 **

* Boxes with PCB guides ** Colour option - Code Suffix: Grey = A Blue = B Black = E

FLANGED - SEALED IP68

BOX SIZE (MM)					ORDER CODE			
PCB GUIDE	L	L (exc Flg)	W	H	Size	Plain	Powder Coated	Nylon Coated
*	114.3	89.2	35.15	30.5	A	483-0010	484-0010**	485-0010**
*	139.7	114.1	63.6	30.5	B	483-0020	484-0020**	485-0020**
*	139.7	114.2	63.7	55.9	C	483-0030	484-0030**	485-0030**
*	139.7	114.7	89.15	55.9	D	483-0040	484-0040**	485-0040**
*	202	171.8	120.8	55.9	E	483-0050	484-0050**	485-0050**
*	202	171.8	120.8	106.7	F	483-0060	484-0060**	485-0060**
*	252	222.6	146.4	55.9	G	483-0070	484-0070**	485-0070**
*	170	140	101.6	77	K	483-0100	484-0100**	485-0100**
*	152	120	100.2	36	M	483-0120	484-0120**	485-0120**

* Boxes with PCB guides ** Colour option - Code Suffix: Grey = A Blue = B Black = E



SELF ADHESIVE HARD NEOPRENE RUBBER SEAL

PRE-DRILLED FLANGE OPTION

ENCLOSURE HAS GOOD FLAT SEALING FACE INCLUDING WHEN COATED TO ENSURE IP RATING.

LID HAS SEAL LOCATION LUGS TO AID SEAL FITMENT AND SEALING

LID SECURED BY M3.5 X 12 FIXING SCREWS.

- A RANGE OF DIE CAST ALUMINUM ENCLOSURE SEALED TO BS EN 60529:1992 IP66, IP67 AND IP68 (5Mtrs for 1 hour)
- HARD NEOPRENE RUBBER SBR133 SEAL WITH SELF ADHESIVE CCS130106 BACKING
- MIN SEAL THICKNESS 3.0MM - MIN SEAL FRAME WIDTH 4.0MM
- MIN ENCLOSURE WALL THICKNESS 1.5MM
- MIN ENCLOSURE LID THICKNESS 1.5MM

INTERPOLATED SIZES ARE PERMITTED PROVIDED THE MINIMUM CENTRES ARE MAINTAINED IN ACCORDANCE WITH THE 455/459 SERIES SPECIFICATION

PROPRIETARY AND CONFIDENTIAL THE INFORMATION CONTAINED IN THIS DRAWING IS THE SOLE PROPERTY OF DEM MANUFACTURING. ANY REPRODUCTION IN PART OR AS A WHOLE WITHOUT THE WRITTEN PERMISSION OF DEM MANUFACTURING IS PROHIBITED.



Drawn by W.COXON 27/05/09

FINISH: AS ABOVE

THIRD ANGLE PROJECTION

DEBUR AND BREAK SHARP EDGES

IF IN DOUBT ASK DO NOT SCALE DRAWING

UNLESS OTHERWISE SPECIFIED: DIMENSIONS ARE IN MILLIMETRES LINEAR TOLERANCES:

NO DECIMAL PLACES ±0.5mm
1 DECIMAL PLACE ±0.1mm
2 DECIMAL PLACES ±0.03mm

ANGULAR TOLERANCES: ±1°

MATERIAL:

A3

TITLE: GENERAL SPECIFICATION FOR IP68 RANGE OF ENCLOSURES

DWG NO. 48x SPEC IP68 RANGE

01

ISSUE