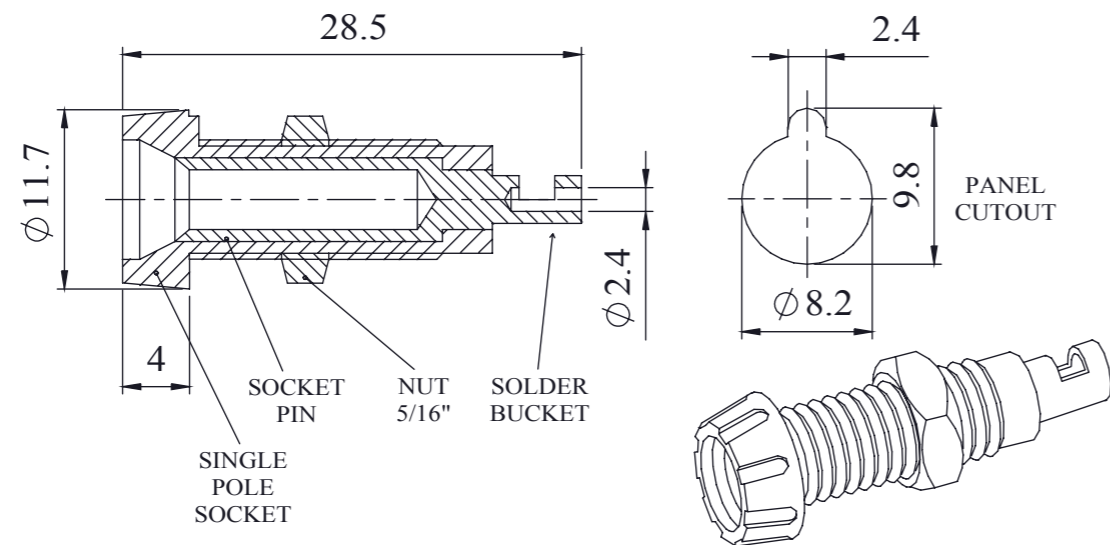



Rigid panel mounting socket retained in place by a nut, which accepts 4mm diameter plugs. Is suitable for panels up to 13,5mm thick. Connection is via a solder bucket, although a solder tag version is available.

MATERIAL
 SINGLE POLE SOCKET PIN : Polypropylene
 SOCKET PIN : Brass, BS2874 CZ121M silver plated
 NUT : Brass, BS2874 nickel plated
 Rating : 10 Amps
 Nominal Working Voltage : 250 Volts R.M.S.
 Absolute Max. Rating : 1500 Volts D.C.
 Contact Resistance : less than 10 milli-ohms
 Torque Max : 0.4Nm

Dimensions



COLOUR	ORDER CODE
BLACK	563-0100
BLUE	563-0200
BROWN	563-0300
GREEN	563-0400
RED	563-0500
WHITE	563-0600
YELLOW	563-0700

<p>PROPRIETARY AND CONFIDENTIAL THE INFORMATION CONTAINED IN THIS DRAWING IS THE SOLE PROPERTY OF DEM MANUFACTURING. ANY REPRODUCTION IN PART OR AS A WHOLE WITHOUT THE WRITTEN PERMISSION OF DEM MANUFACTURING IS PROHIBITED.</p> 	Drawn by SPB 21/05/09	UNLESS OTHERWISE SPECIFIED: DIMENSIONS ARE IN MILLIMETRES LINEAR TOLERANCES: NO DECIMAL PLACES ±0.5mm 1 DECIMAL PLACE ±0.1mm 2 DECIMAL PLACES ±0.03mm ANGULAR TOLERANCES: ±1° MATERIAL:	A3 TITLE: GENERAL SPECIFICATION FOR 563 SERIES
	FINISH: THIRD ANGLE PROJECTION DEBUR AND BREAK SHARP EDGES IF IN DOUBT ASK DO NOT SCALE DRAWING	DWG NO. 563 SERIES	08 ISSUE
TEL: +44 1724 273200 E-MAIL: SALES@DEM-UK.COM WEBSITE: WWW.DEM-UK.COM	SCALE:1:1	SHEET 1 OF 1	