

A range of professional chassis mounting sockets, designed for panel mounting via a single hexagonal turned brass nut. These sockets incorporate an anti-rotational locating spigot, and mate with all standard lockable plugs.

Material Housing

Brass,  
sprayed with  
black paint

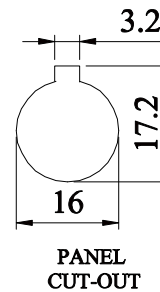
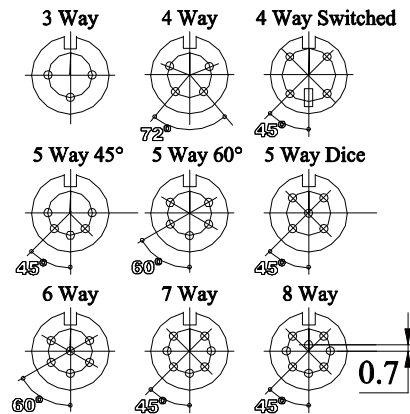
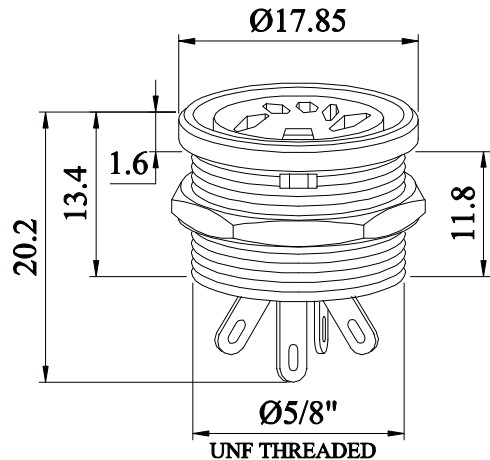
Moulding Contacts

Noryl SE1  
Brass,  
silver plated

Nut

Brass,  
nickel plated

### Dimensions



### Product Specification

Test Voltage: 1000 V d.c  
 Current Rating: 4 A  
 Insulation Resistance:  $10^{11}$  min at 100 V d.c  
 Contact Resistance:  $10^{11}$  max  
 Capacity (mated): 3pF  
 Temperature Range: -25°C to +75°C

Type	Deltron No
3 Way	651-0300
4 Way	651-0400
4 Way Switched	651-0410
5 Way 45°	651-0500
5 Way 60°	651-0510
5 Way Dice	651-0520
6 Way	651-0600
7 Way	651-0700
8 Way	651-0800

CONVERTED FROM PS0481 ISS3 (19.06.96) IN JAN 2003

DrgNo 651 SERIES		TITLE PROFESSIONAL CIRCULAR CHASSIS SOCKET (BLACK)			ALL DIMENSIONS IN MM ANGLES IN DECIMAL DEGREES	
ISSUE 6		GENERAL SPECIFICATION FOR 651 SERIES		CUSTOMER FILTER REF LGS00187		
		Aprvd Date 20/07/06	Aprvd By BFS	Drwn by BS	Scale: NTS	Sheet 1 / 1
© Deltron Emcon Limited E-Mail components@deltron-emcon.com, Website www.deltron-emcon.com. Phone +44 1724 273200 Fax +44 1724 270230						