

COUNT	DESCRIPTION OF REVISIONS	BY	CHKD	DATE	COUNT	DESCRIPTION OF REVISIONS	BY	CHKD	DATE
△					△				
△					△				
△					△				

AA(5:1)

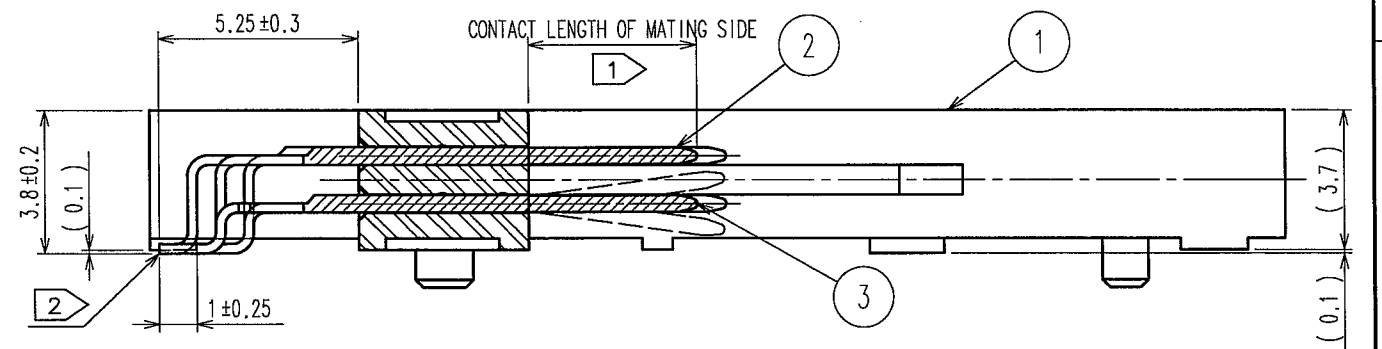
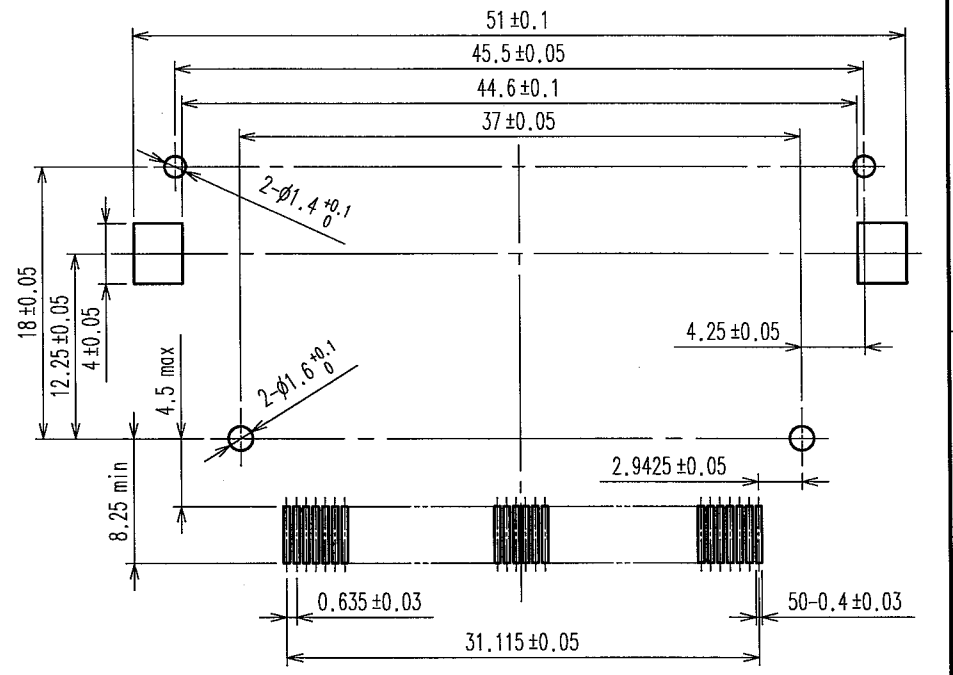


TABLE 1

CONTACT No.	CONTACT LENGTH
1, 13, 38, 50	5.0
25, 26	3.5
OTHERS	4.25

RECOMMENDED LAND PATTERN DIMENSION OF PCB



- NOTES
- CONTACT LENGTH AT MATING SIDE TO BE AS TABLE 1.
  - LEAD CO-PLANARITY AND CO-PLANARITY AT END FACE OF REINFORCED METAL FITTINGS TO BE 0.1 OR LESS.
  - THE VALUES IN PARENTHESIS ARE FOR REFERENCE.
  - HOLE OR CUTOUT SHOULD BE SET IN A POSITION WHERE COMPONENTS OR TRACES ARE NOT REQUIRED.

4	BRASS	SCu+Sn1μm
2, 3	BRASS	CONTACT AREA: Ni1.5μm+Au0.1μm MOUNTING AREA: Ni1.5μm+Sn2μm
1	PPS	BLACK, UL94V-0
NO.	MATERIAL	FINISH, REMARKS

CODE NO. (OLD) CL	DRAWN M. OGAWA	DESIGNED H. SAITOU	CHECKED <i>S. Tomioka</i>	APPROVED <i>K. Hayama</i>	RELEASED
	05.08.26	05.08.26	05.08.30	05.08.30	
SCALE 2 : 1	DRAWING NO. EDC3-151461-03		PART NO. MI20-50PD-SF(71)		
UNITS mm	HRS HIROSE ELECTRIC CO., LTD		CODE NO. CL640-7002-2-71		1/1

TO