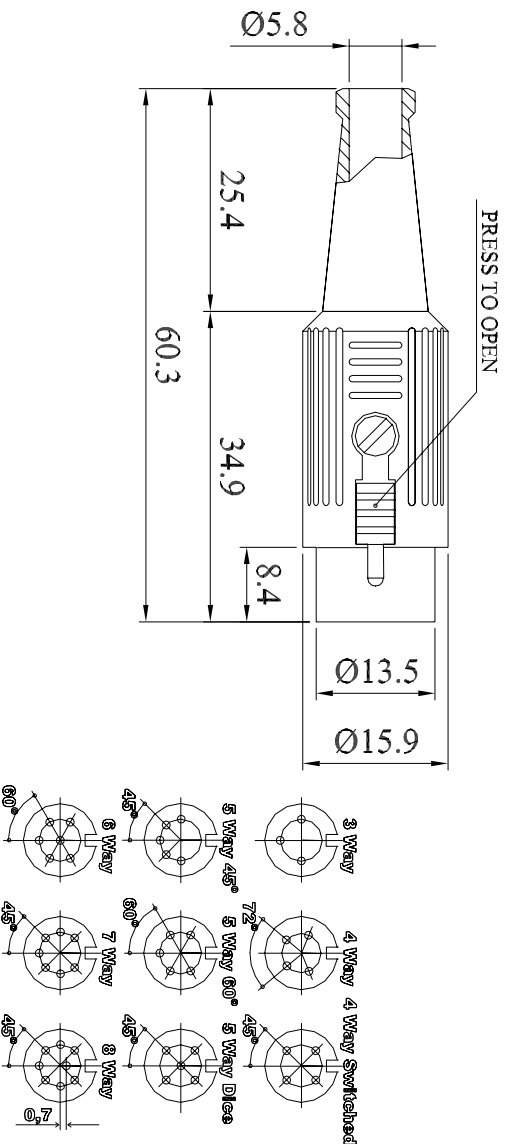


A fully screened robust range of DIN connectors for use in instrumentation and audio applications. Available in two finishes; bright nickel and non-reflective electrically conductive matt black. Robust construction incorporating cable grip and strain relief.

Manufactured to DIN 41524, 45322, 45326, 45327 and 45329.

MATERIALS	: Zinc Alloy
HOUSING	: heavy nickel plated over copper
MOULDING CONTACTS	: Nylon : Brass
CABLE CLAMP	: Silver Plated : Mild Steel : zinc plated
GROMMET	: Black P.V.C.
ELECTRICAL RATINGS	
Working Voltage	100 Vd.c. or a.c. peak
Test Voltage	1000 Vd.c.
Insulation Resist.	$10^{11} \Omega$ min at 100 Vd.c.
Current Rating	4 A
Contact Resist.	10 m Ω max
Capacity (mated)	3 pF
Temp. Range	-25°C to +70°C

Dimensions



Type	Deltron No
3 Way	610-0300
4 Way	610-0400
4 Way Switched	610-0410
5 Way 45°	610-0500
5 Way 60°	610-0510
5 Way Dice	610-0520
6 Way	610-0600
7 Way	610-0700
8 Way	610-0800

CONVERTED FROM PS0480 ISS3 (08.07.96) IN JAN 2003

Drgn No 610 SERIES TITLE SCREENED DIN CONNECTOR STANDARD PLUG (NICKEL)

ALL DIMENSIONS IN MM
ANGLES IN DECIMAL DEGREES



DELTRON Components

ISS 3

GENERAL SPECIFICATION FOR 610 SERIES

CUSTOMER

Aprvd Date 10/02/03

Aprvd By MC

Drwn by BFS

FILTER REF

Scale: NTS

Sheet 1 / 1