

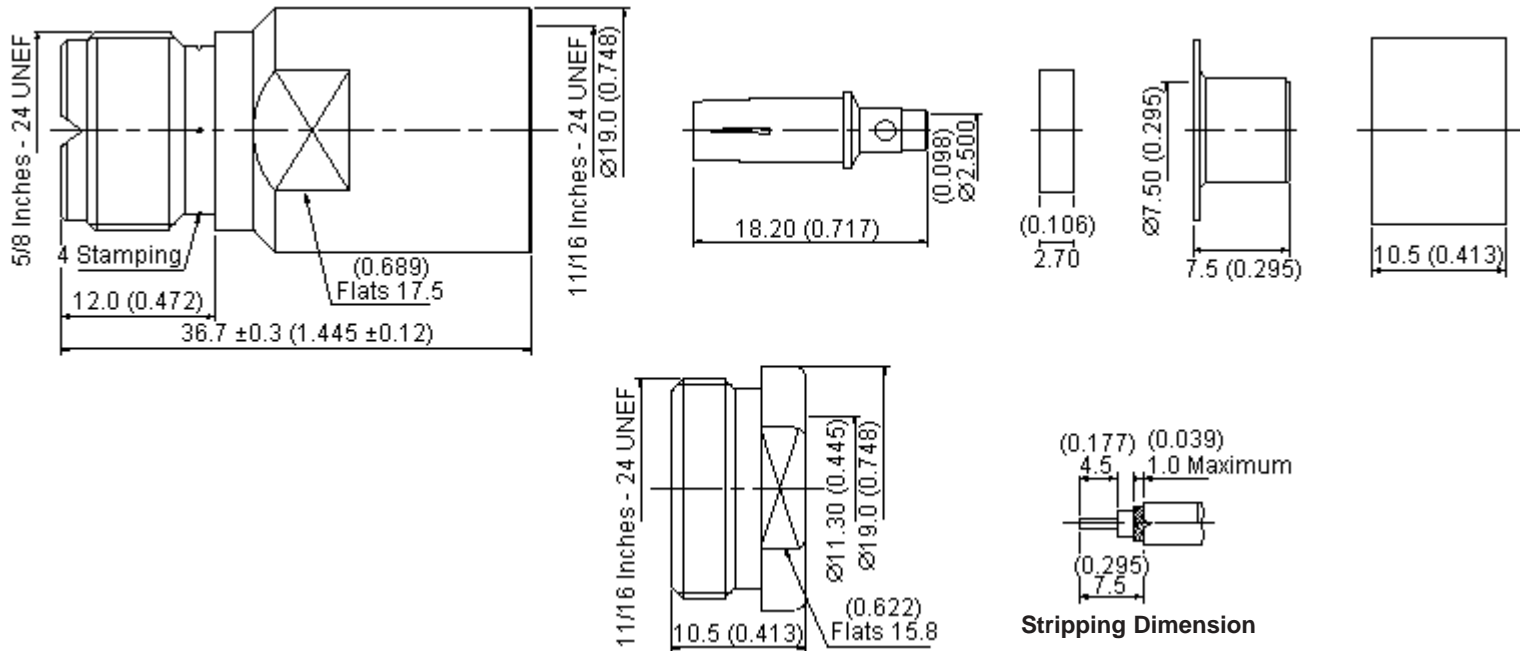


PART NO.

MC17-26B

REVISIONS

ECN #	REV	DESCRIPTION	DRAWN	DATE	CHECKD	DATE	APPRVD	DATE
-	A	RELEASED	Veena	04/03/09	Suresh	04/03/09	Farnell	18/03/09



Dimensions : Millimetres (Inches)

Specifications:

Electrical:

- Frequency range : DC-300MHz.
- Nominal impedance : 50 ohms.
- Maximum working voltage : 500 volts.
- Proof voltage : 1500 volts.

Materials:

- Bodies : Brass per JIS-C3604.
- Centre contact : Brass per JIS-C3604.
- Insulation : PTFE per ASTM D1457 and ASTM D1710.

This data sheet and its contents (the "Information") belong to the Premier Farnell Group (the "Group") or are licensed to it. No licence is granted for the use of it other than for information purposes in connection with the products to which it relates. No licence of any intellectual property rights is granted. The Information is subject to change without notice and replaces all data sheets previously supplied. The Information supplied is believed to be accurate but the Group assumes no responsibility for its accuracy or completeness, any error in or omission from it or for any use made of it. Users of this data sheet should check for themselves the information and the suitability of the products for their purpose and not make any assumptions based on information included or omitted. Liability for loss or damage resulting from any reliance on the Information or use of it (including liability resulting from negligence or where the Group was aware of the possibility of such loss or damage arising) is excluded. This will not operate to limit or restrict the Group's liability for death or personal injury resulting from its negligence. SPC MULTICOMP is the registered trademark of the Group. © Premier Farnell plc 2009.

TOLERANCES:

UNLESS OTHERWISE SPECIFIED, DIMENSIONS ARE FOR REFERENCE PURPOSES ONLY.

DRAWN BY:	DATE:
Veena	04/03/09
CHECKED BY:	DATE:
Suresh	04/03/09
APPROVED BY:	DATE:
Farnell	18/03/09

DRAWING TITLE:

UHF Jack - RG213 / 67

SIZE	DWG NO.	ELECTRONIC FILE	REV
A	M10001952	1169708-TDS_DWG	A
SCALE: NTS	U.O.M.: mm (Inches)	SHEET: 1 OF 2	



PART NO.

MC17-26B

REVISIONS

ECN #	REV	DESCRIPTION	DRAWN	DATE	CHECKD	DATE	APPRVD	DATE
-	A	RELEASED	Veena	04/03/09	Suresh	04/03/09	Farnell	18/03/09

Specifications:

Mechanical:

For use with RG213U or similar style cable.

Cable attachment : Outer : Clamp.
: Inner : Solder/Crimp.

Minimum cable retention : 80lbs.

Crimp size required : Contact : Solder/2.6 (0.102) hexagonal crimp tool.
3.0 (0.118) hexagonal crimp tool.

Environmental:

Operating temperature range : -55°C to +85°C.

Specification Table

Item	Description	Material	Finish	Part Number
1	Body	Brass	Nickel 100µ Inches Minimum	MC17-26B
2	Insulation I	PTFE	None	
3	Centre Contact	Brass	Gold	
4	Gasket	Rubber	Red	
5	Insulation II	PTFE	None	
6	Braid Clamp	Brass	Nickel 100µ Inches Minimum	
7	Nut			

<http://www.farnell.com>

<http://www.newark.com>

<http://www.cpc.co.uk>

This data sheet and its contents (the "Information") belong to the Premier Farnell Group (the "Group") or are licensed to it. No licence is granted for the use of it other than for information purposes in connection with the products to which it relates. No licence of any intellectual property rights is granted. The Information is subject to change without notice and replaces all data sheets previously supplied. The Information supplied is believed to be accurate but the Group assumes no responsibility for its accuracy or completeness, any error in or omission from it or for any use made of it. Users of this data sheet should check for themselves the Information and the suitability of the products for their purpose and not make any assumptions based on information included or omitted. Liability for loss or damage resulting from any reliance on the Information or use of it (including liability resulting from negligence or where the Group was aware of the possibility of such loss or damage arising) is excluded. This will not operate to limit or restrict the Group's liability for death or personal injury resulting from its negligence. SPC MULTICOMP is the registered trademark of the Group. © Premier Farnell plc 2009.

TOLERANCES:

UNLESS OTHERWISE SPECIFIED, DIMENSIONS ARE FOR REFERENCE PURPOSES ONLY.

DRAWN BY:	DATE:
Veena	04/03/09
CHECKED BY:	DATE:
Suresh	04/03/09
APPROVED BY:	DATE:
Farnell	18/03/09

DRAWING TITLE:			
UHF Jack - RG213 / 67			
SIZE	DWG NO.	ELECTRONIC FILE	REV
A	M10001952	1169708-TDS_DWG	A
SCALE: NTS	U.O.M.: mm (Inches)	SHEET: 2 OF 2	