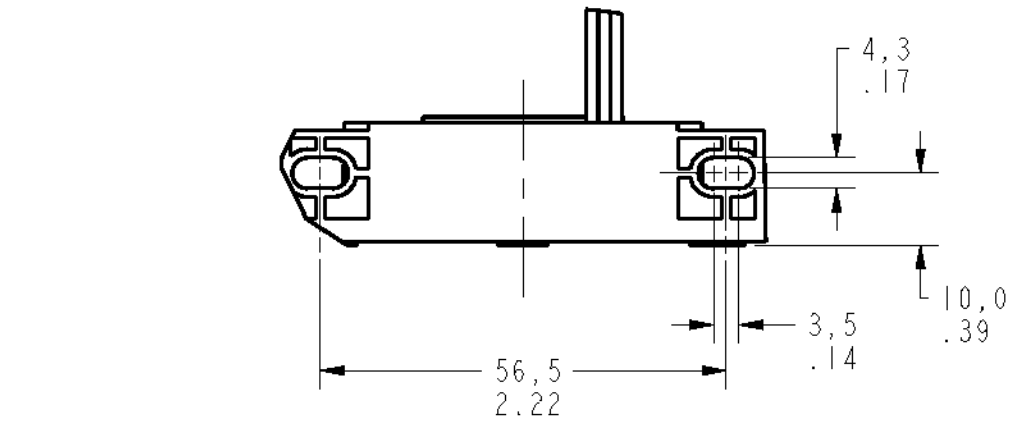
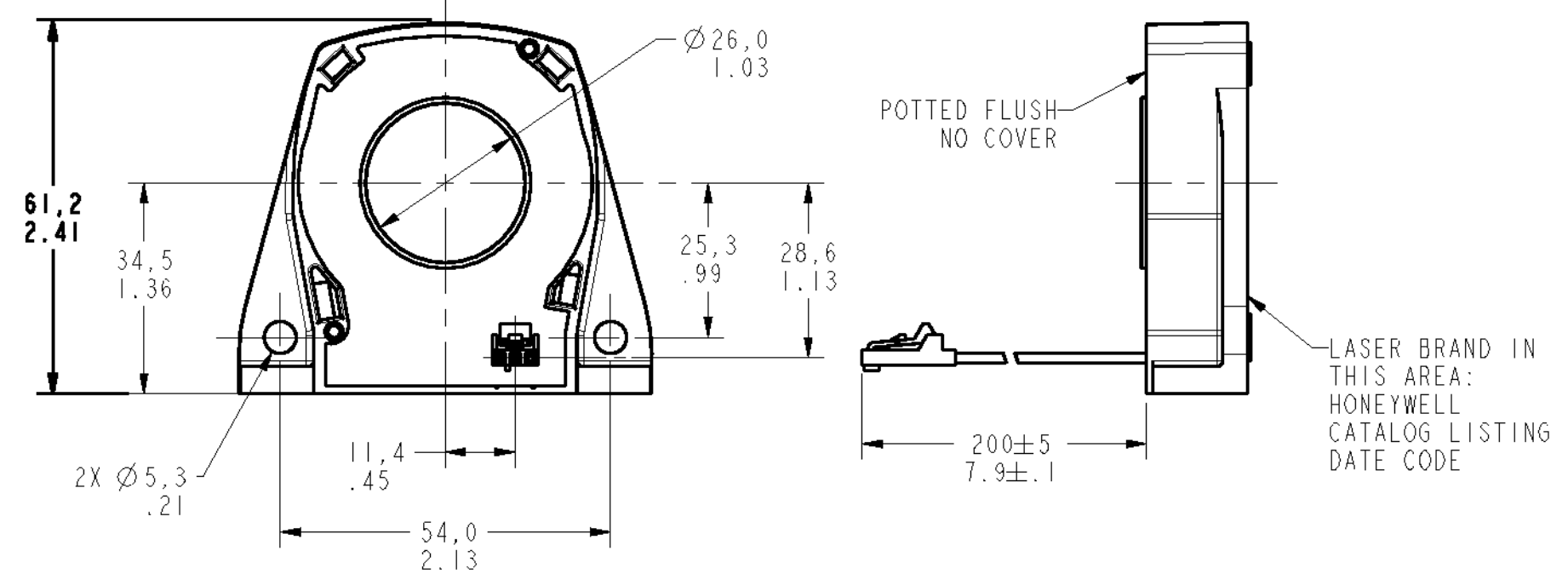
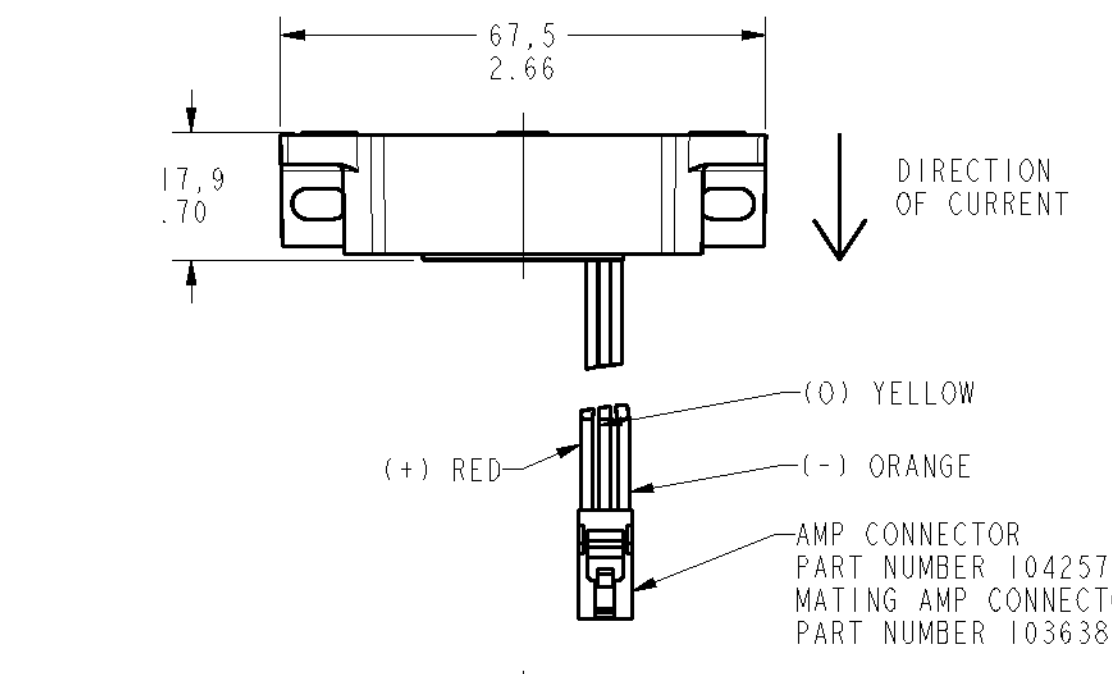


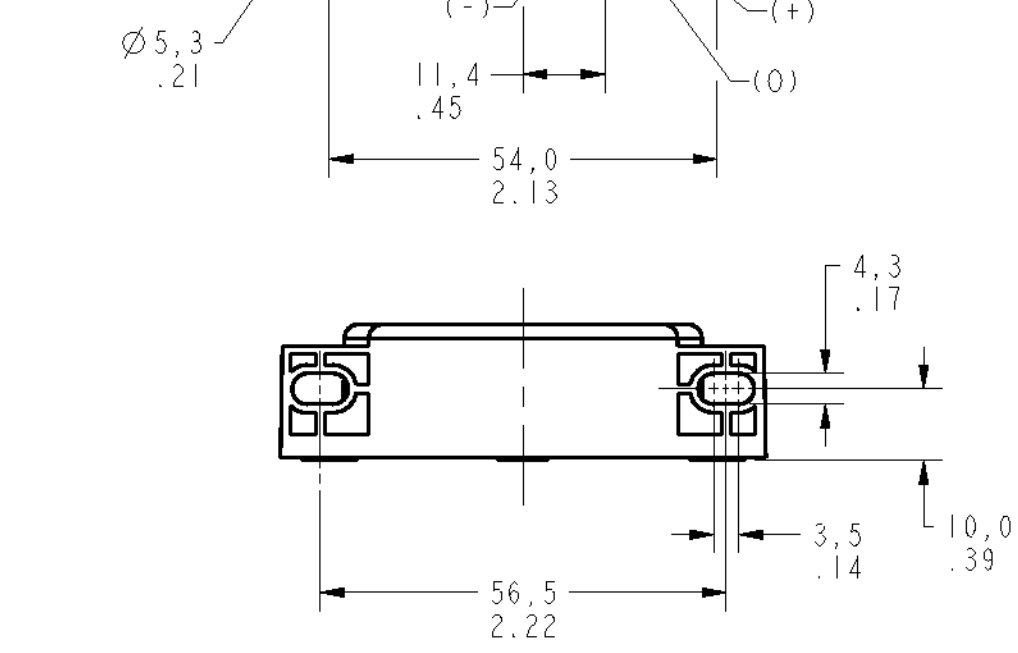
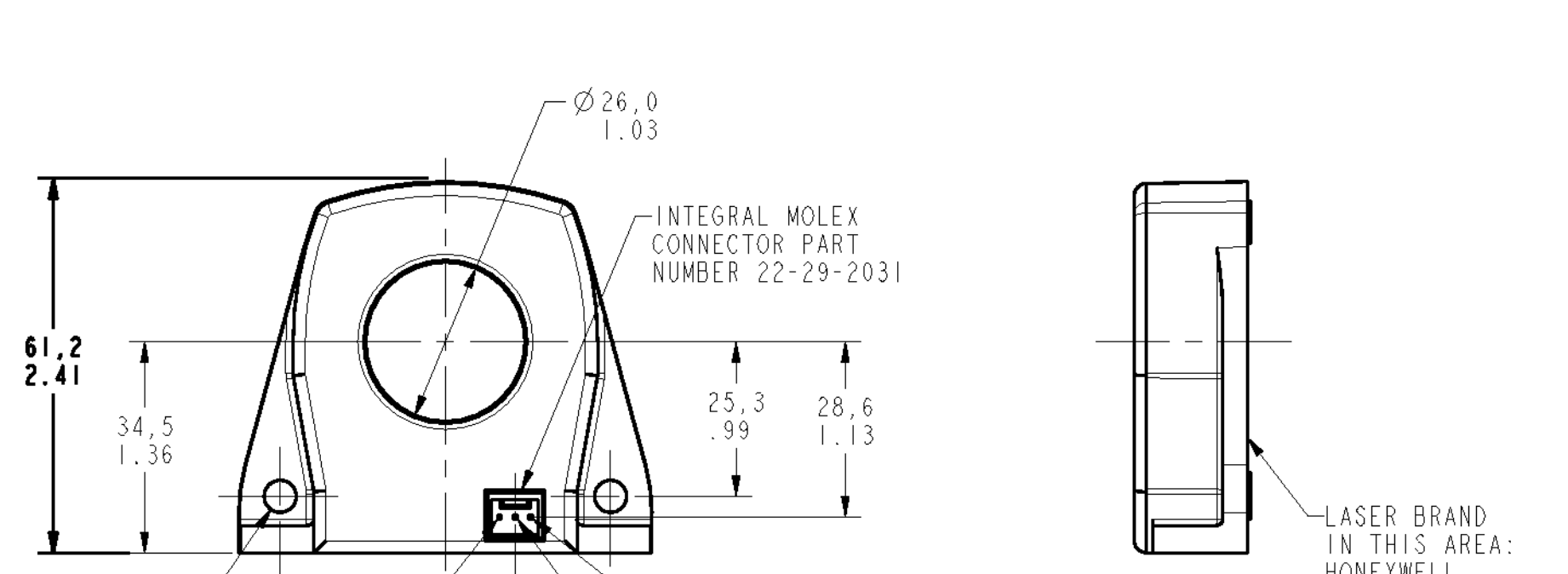
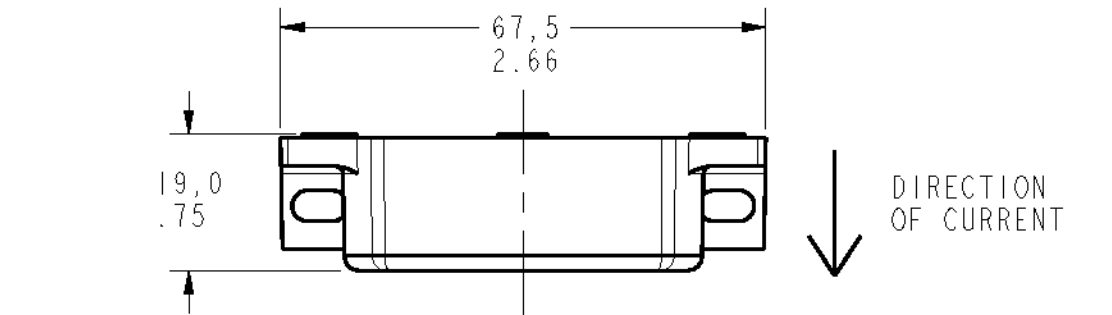
REV	DOCUMENT	CHANGED BY	CHECK
1		10MAT02 TRF	SAV
2		07/06/02 IW	
3		29/10/02 IW	

CHARACTERISTICS											
CATALOG LISTING	ISSUE NUMBER	OPERATING TEMPERATURE	SUPPLY	HOUSING MATERIAL	SENSING RANGE		OUTPUT NOMINAL	MAXIMUM COIL RESISTANCE AT 70°C	NUMBER OF TURNS	PRIMARY CONNECTION	SECONDARY CONNECTION
					NOMINAL	MAXIMUM					INTERGRAL MOLEX CONNECTOR
CSNS300M	1	-40°C TO +85°C	±12V TO ±15V	GLASS FILLED PBT	300A	600A	150mA	30Ω	2000±1	THRU HOLE	INTERGRAL MOLEX CONNECTOR
CSNS300P	1										PCB MOUNTING PINS
CSNS300F	1										MOLEX CONNECTOR ON FLYING LEADS

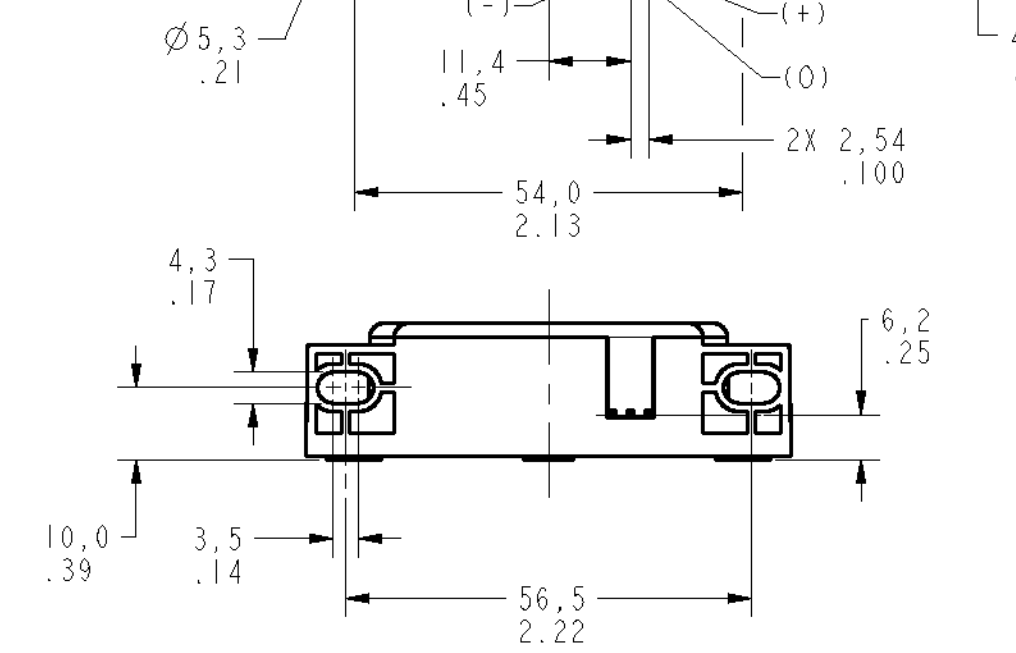
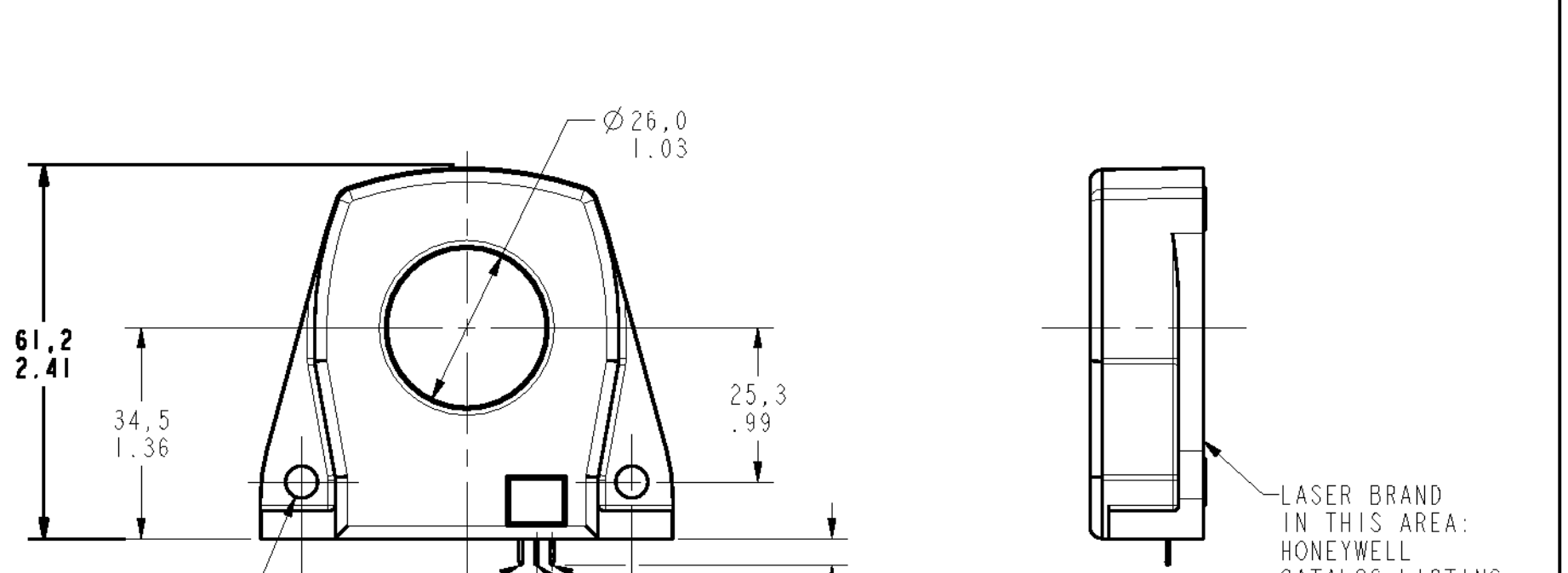
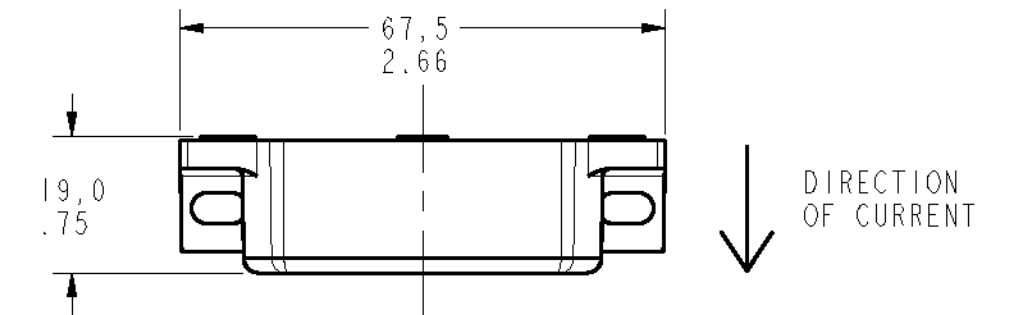
NOTES
 1 - THIS PART IS COVERED BY EXTERNAL PRODUCT APPROVAL(S).
 NO DESIGN CHANGES WITHOUT AGREEMENT OF APPROVALS ENGINEERING



CSNS300F



CSNS300M



CSNS300P

UNLESS OTHERWISE SPECIFIED TOLERANCES ARE:	DECIMALS	FRACTIONS	DRAWN	TMM	11FEB02
NO PLACE	X	±.040	CHECK	SAV	11FEB02
ONE PLACE	.X	±.030	THIS DRAWING COVERS A PROPRIETARY ITEM AND IS THE PROPERTY OF HONEYWELL. THIS DRAWING IS NOT TO BE COPIED OR USED WITHOUT THE PERMISSION OF HONEYWELL.		
TWO PLACE	.XX	±.015	DIMENSIONS ARE TO BE MET BEFORE PROTECTIVE COATINGS ARE APPLIED		
THREE PLACE	.XXX	±.005	PTC 3D ASME Y14.5M-1994		
ANGLES		±	SCALE 1:1 WEIGHT SHEET 1 OF 1		
RAW MATERIAL-COMMERCIAL STANDARD		±			

Honeywell

TITLE **300A NULL BALANCE CURRENT SENSOR**

SIZE D	DWG TYPE I	DRAWING NAME CSNS SERIES MTG - CSN-320	REV 3L
---------------	-------------------	---	---------------