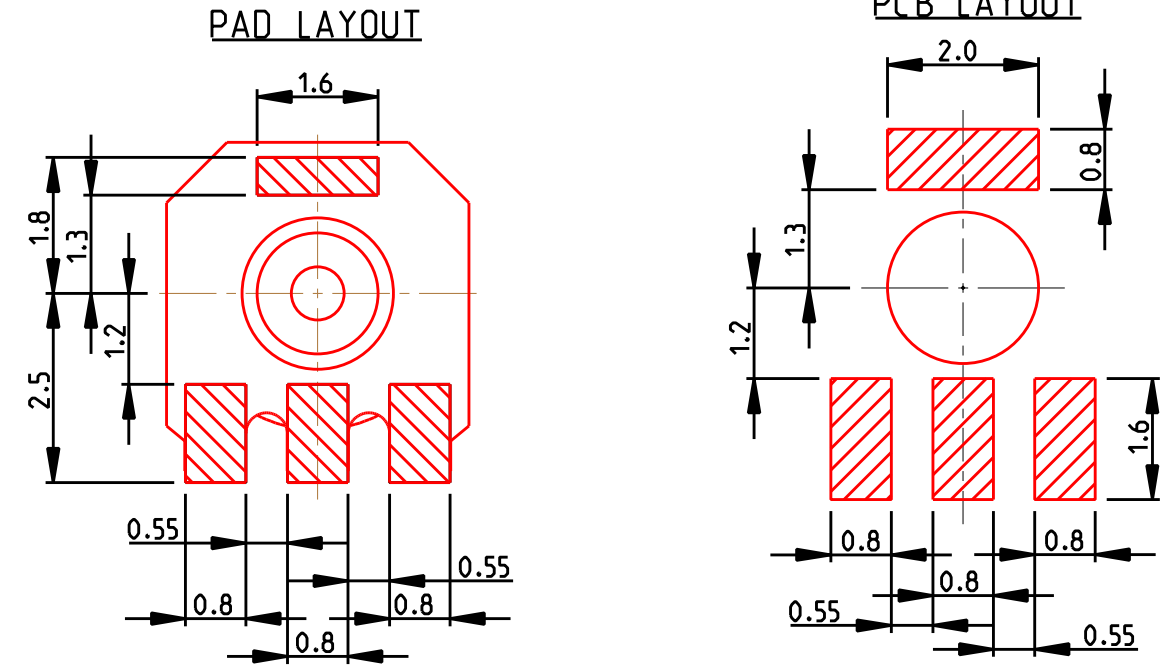
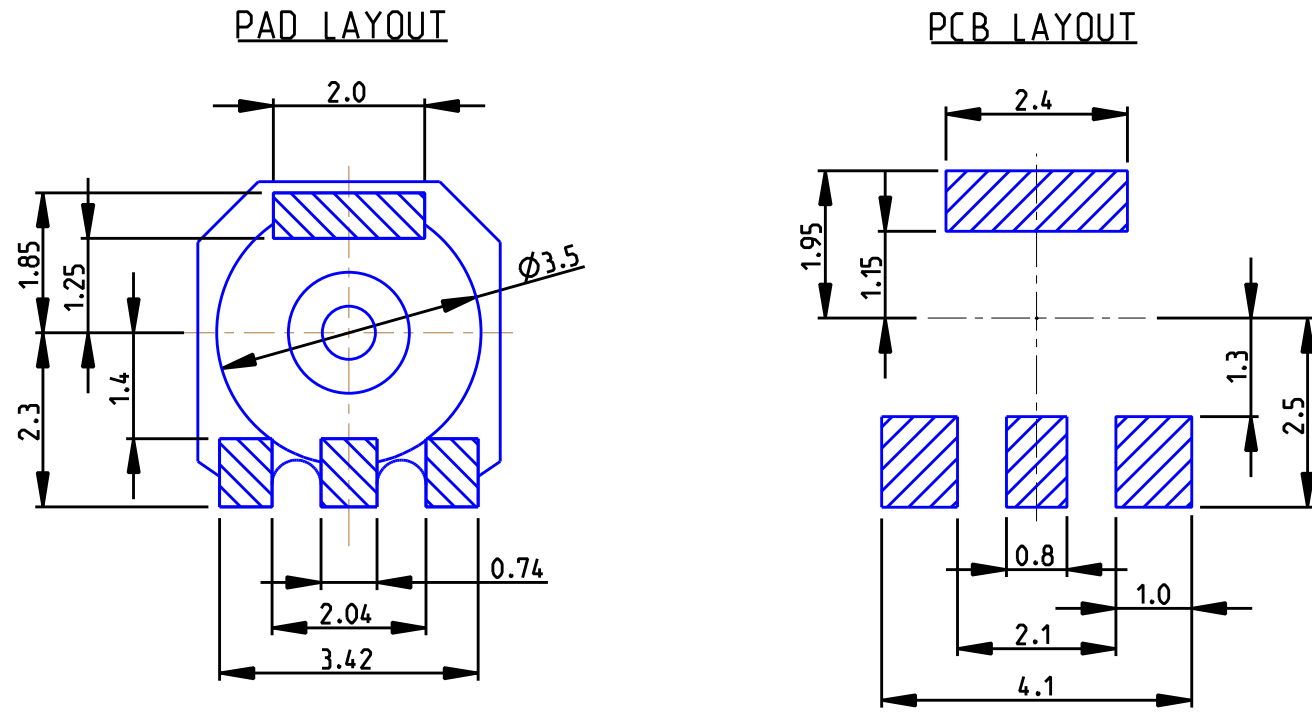


LOC	DIST	REVISIONS					
E	B	P	LTR	DESCRIPTION	DATE	DWN	APVD
		BB1		AS PER ECR-09-021794	05-OCT-09	MRS	ST.P

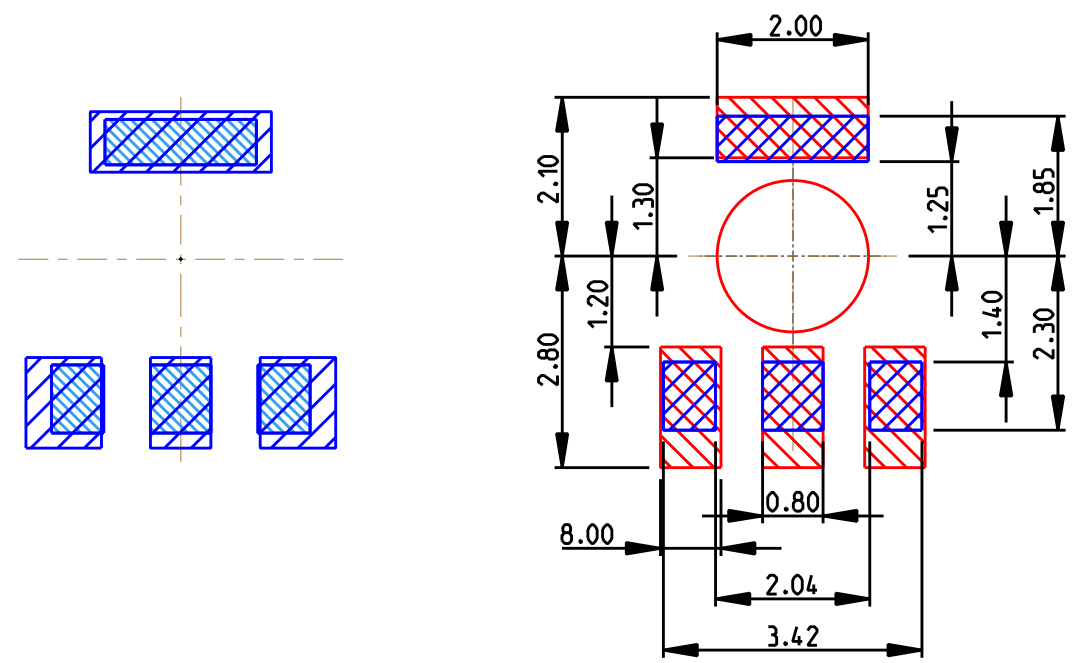
NEW 3165 DIMENSIONS

OLD 3165 DIMENSIONS



OVERLAY OF NEW PAD AND NEW PCB LAYOUT

OVERLAY OF NEW PAD AND OLD PCB LAYOUT



— INDICATES NEW DESIGN
 — INDICATES OLD DESIGN

SL No	PART NO	MEC PART NO	DESCRIPTION	REMARKS
1	1623918-1	3165W101P	3165W 100R	SUPERCEDED
2	1623918-2	3165W102P	3165W 1K	SUPERCEDED
3	1623918-3	3165W103P	3165W 10K	SUPERCEDED
4	1623918-4	3165W104P	3165W 100K	SUPERCEDED
5	1623918-5	3165W105P	3165W 1M	SUPERCEDED
6	1623918-6	3165W201P	3165W 200R	SUPERCEDED
7	1623918-7	3165W202P	3165W 2K	SUPERCEDED
8	1623918-8	3165W203P	3165W 20K	SUPERCEDED
9	1623918-9	3165W204P	3165W 200K	SUPERCEDED
10	1-1623918-0	3165W304P	3165W 300K	SUPERCEDED
11	1-1623918-1	3165W501P	3165W 500R	SUPERCEDED
12	1-1623918-2	3165W502P	3165W 5K	SUPERCEDED
13	1-1623918-3	3165W503P	3165W 50K	SUPERCEDED
14	1-1623918-4	3165W504P	3165W 500K	SUPERCEDED
15	2-1623918-1	3165W101P	3165W 100R	
16	2-1623918-2	3165W102P	3165W 1K	
17	2-1623918-3	3165W103P	3165W 10K	
18	2-1623918-4	3165W104P	3165W 100K	
19	2-1623918-5	3165W105P	3165W 1M	
20	2-1623918-6	3165W201P	3165W 200R	
21	2-1623918-7	3165W202P	3165W 2K	
22	2-1623918-8	3165W203P	3165W 20K	
23	2-1623918-9	3165W204P	3165W 200K	
24	3-1623918-0	3165W304P	3165W 300K	
25	3-1623918-1	3165W501P	3165W 500R	
26	3-1623918-2	3165W502P	3165W 5K	
27	3-1623918-3	3165W503P	3165W 50K	
28	3-1623918-4	3165W504P	3165W 500K	

THIS DRAWING IS A CONTROLLED DOCUMENT FOR TYCO ELECTRONICS CORPORATION. IT IS SUBJECT TO CHANGE AND THE CONTROLLING ENGINEERING ORGANIZATION SHOULD BE CONTACTED FOR THE LATEST REVISION.

DWN: SUBHASH.M 12-NOV-08
 CHK: PRAKASH.S 12-NOV-08
 APVD: STEPHEN.P 12-NOV-08

Tyco Electronics Corporation
 Dorcan, Swindon, SN3 5HH

SMD ECONOMY TRIMMERS
 SERIES 3165

PRODUCT SPEC: -
 APPLICATION SPEC: -
 WEIGHT: -

SIZE: A3 CAGE CODE: 00779 DRAWING NO: C-1623918 RESTRICTED TO: -

CUSTOMER DRAWING SCALE: 10:1 SHEET: 1 OF 1 REV: BB1