



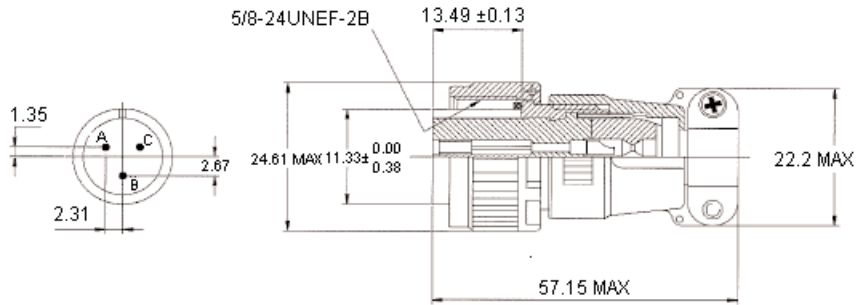
PART NO.

M90-3106F1

REVISIONS

| ECN # | REV | DESCRIPTION | DRAWN | DATE | CHECKD | DATE | APPRVD | DATE |
|-------|-----|-------------|-------|----------|--------|----------|---------|----------|
| - | A | RELEASED | Malli | 20/03/10 | Jagan | 20/03/10 | Farnell | 05/04/10 |

M90-3106F10SL-3S



Dimensions: Millimetres

Specifications:

Material:

Shell : Aluminum alloy
 Insulator : Polychloroprene.
 Grommet : Polychloroprene.
 Contact : Copper alloy

Finish:

Shell : Zinc with black chromate coating
 Contact : Silver

Electrical:

Current rating : 13 Amps
 Voltage rating : 500V ac, 700V dc
 Insulation resistance : 5000MΩ minimum

Environmental:

Temperature range : 55°C to 125°C
 Vibration : 10 to 500Hz (10g) per MIL-STD-1344, method 2005
 Salt spray : 48 hours, 5% salt solution, per MIL-STD-1344 method 1001
 Humidity : 95 ±3%, 71 ±2°C, 14 days

Mechanical:

Coupling : Threaded
 Polarisation : Single key/Keyway
 Contact type : Solder
 Contact arrangement : 3 contacts
 Durability : 500 operations

This data sheet and its contents (the "Information") belong to the Premier Farnell Group (the "Group") or are licensed to it. No licence is granted for the use of it other than for information purposes in connection with the products to which it relates. No licence of any intellectual property rights is granted. The Information is subject to change without notice and replaces all data sheets previously supplied. The Information supplied is believed to be accurate but the Group assumes no responsibility for its accuracy or completeness, any error in or omission from it or for any use made of it. Users of this data sheet should check for themselves the Information and the suitability of the products for their purpose and not make any assumptions based on information included or omitted. Liability for loss or damage resulting from any reliance on the Information or use of it (including liability resulting from negligence or where the Group was aware of the possibility of such loss or damage arising) is excluded. This will not operate to limit or restrict the Group's liability for death or personal injury resulting from its negligence. SPC MULTICOMP is the registered trademark of the Group. © Premier Farnell plc 2009.

TOLERANCES:
 UNLESS OTHERWISE SPECIFIED, DIMENSIONS ARE FOR REFERENCE PURPOSES ONLY.

| | |
|---------------------|--------------|
| DRAWN BY: | DATE: |
| Malli | 20/03/10 |
| CHECKED BY: | DATE: |
| Jagan | 20/03/10 |
| APPROVED BY: | DATE: |
| Farnell | 05/04/10 |

| | | | |
|-------------------------------|----------------|------------------------|----------------------|
| DRAWING TITLE: | | | |
| Free Plug - 3 Socket Contacts | | | |
| SIZE | DWG NO. | ELECTRONIC FILE | REV |
| A | M10002526 | 3106F-S-DWG | A |
| SCALE: NTS | | U.O.M.: mm | SHEET: 1 OF 5 |



PART NO.

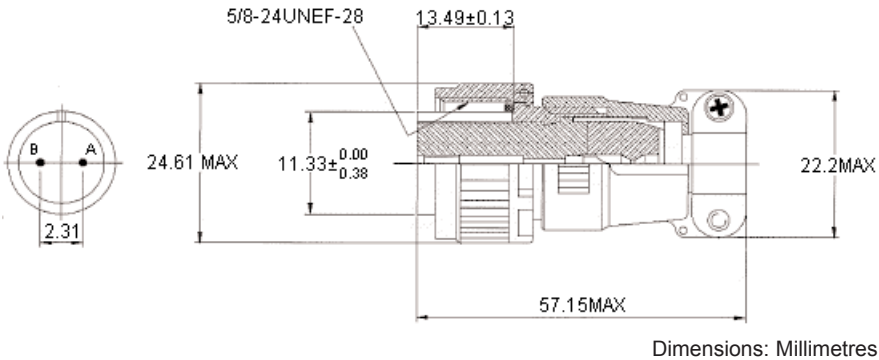
M90-3106F1

REVISIONS

| ECN # | REV | DESCRIPTION | DRAWN | DATE | CHECKD | DATE | APPRVD | DATE |
|-------|-----|-------------|-------|----------|--------|----------|---------|----------|
| - | A | RELEASED | Malli | 20/03/10 | Jagan | 20/03/10 | Farnell | 05/04/10 |

M90-3106F10SL-4S

Specifications:



Material:

Shell : Aluminum alloy
 Insulator : Polychloroprene.
 Grommet : Polychloroprene.
 Contact : Copper alloy

Finish:

Shell : Zinc with black chromtate coating
 Contact : Silver

Electrical:

Current rating : 13 Amps
 Voltage rating : 500V ac, 700V dc
 Insulation resistance : 5000MΩ minimum

Environmental:

Temperature range : 55°C to 125°C
 Vibration : 10 to 500Hz (10g) per MIL-STD-1344, method 2005
 Salt spray : 48 hours, 5% salt solution, per MIL-STD-1344 method 1001
 Humidity : 95 ±3%, 71 ±2°C, 14 days

Mechanical:

Coupling : Threaded
 Polarisation : Single key/Keyway
 Contact type : Solder
 Contact arrangement : 3 contacts
 Durability : 500 operations

This data sheet and its contents (the "Information") belong to the Premier Farnell Group (the "Group") or are licensed to it. No licence is granted for the use of it other than for information purposes in connection with the products to which it relates. No licence of any intellectual property rights is granted. The Information is subject to change without notice and replaces all data sheets previously supplied. The Information supplied is believed to be accurate but the Group assumes no responsibility for its accuracy or completeness, any error in or omission from it or for any use made of it. Users of this data sheet should check for themselves the Information and the suitability of the products for their purpose and not make any assumptions based on information included or omitted. Liability for loss or damage resulting from any reliance on the Information or use of it (including liability resulting from negligence or where the Group was aware of the possibility of such loss or damage arising) is excluded. This will not operate to limit or restrict the Group's liability for death or personal injury resulting from its negligence. SPC MULTICOMP is the registered trademark of the Group. © Premier Farnell plc 2009.

TOLERANCES:
 UNLESS OTHERWISE SPECIFIED, DIMENSIONS ARE FOR REFERENCE PURPOSES ONLY.

| | |
|---------------------|--------------|
| DRAWN BY: | DATE: |
| Malli | 20/03/10 |
| CHECKED BY: | DATE: |
| Jagan | 20/03/10 |
| APPROVED BY: | DATE: |
| Farnell | 05/04/10 |

| | | | |
|-------------------------------|----------------|------------------------|----------------------|
| DRAWING TITLE: | | | |
| Free Plug - 2 Socket Contacts | | | |
| SIZE | DWG NO. | ELECTRONIC FILE | REV |
| A | M10002526 | 3106F-S-DWG | A |
| SCALE: NTS | | U.O.M.: mm | SHEET: 2 OF 5 |



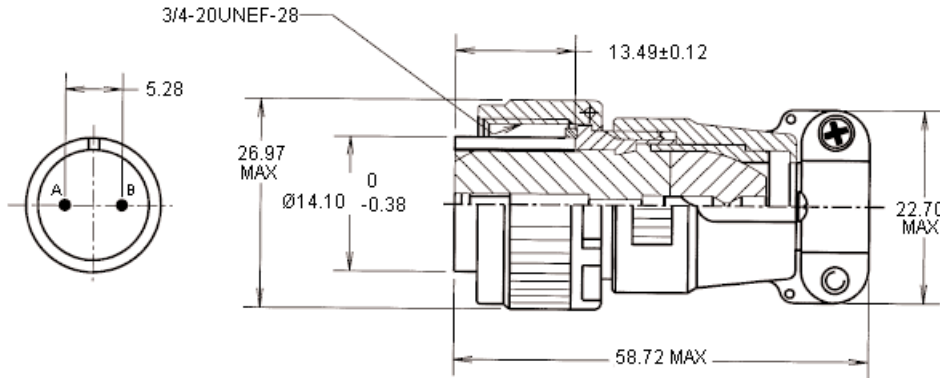
PART NO.

M90-3106F1

REVISIONS

| ECN # | REV | DESCRIPTION | DRAWN | DATE | CHECKD | DATE | APPRVD | DATE |
|-------|-----|-------------|-------|----------|--------|----------|---------|----------|
| - | A | RELEASED | Malli | 20/03/10 | Jagan | 20/03/10 | Farnell | 05/04/10 |

M90-3106F12S-3S



Dimensions: Millimetres

Specifications:

Material:

Shell : Aluminum alloy
 Insulator : Nitrile butadiene rubber
 Grommet : Nitrile butadiene rubber
 Contact : Copper alloy

Finish:

Shell : Zinc with black chromate coating
 Contact : Silver

Electrical:

Current rating : 13 Amps
 Voltage rating : 500V ac, 700V dc
 Insulation resistance : 5000MΩ minimum

Environmental:

Temperature range : 55°C to 125°C
 Vibration : 10 to 500Hz (10g) per MIL-STD-1344, method 2005
 Salt spray : 48 hours, 5% salt solution, per MIL-STD-1344 method 1001
 Humidity : 95 ±3%, 71 ±2°C, 14 days

Mechanical:

Coupling : Threaded
 Polarisation : Single key/Keyway
 Contact type : Solder
 Contact arrangement : 2 contacts
 Durability : 500 cycles

This data sheet and its contents (the "Information") belong to the Premier Farnell Group (the "Group") or are licensed to it. No licence is granted for the use of it other than for information purposes in connection with the products to which it relates. No licence of any intellectual property rights is granted. The Information is subject to change without notice and replaces all data sheets previously supplied. The Information supplied is believed to be accurate but the Group assumes no responsibility for its accuracy or completeness, any error in or omission from it or for any use made of it. Users of this data sheet should check for themselves the Information and the suitability of the products for their purpose and not make any assumptions based on information included or omitted. Liability for loss or damage resulting from any reliance on the Information or use of it (including liability resulting from negligence or where the Group was aware of the possibility of such loss or damage arising) is excluded. This will not operate to limit or restrict the Group's liability for death or personal injury resulting from its negligence. SPC MULTICOMP is the registered trademark of the Group. © Premier Farnell plc 2009.

TOLERANCES:
 UNLESS OTHERWISE SPECIFIED, DIMENSIONS ARE FOR REFERENCE PURPOSES ONLY.

| | |
|---------------------|--------------|
| DRAWN BY: | DATE: |
| Malli | 20/03/10 |
| CHECKED BY: | DATE: |
| Jagan | 20/03/10 |
| APPROVED BY: | DATE: |
| Farnell | 05/04/10 |

| | | | |
|--------------------------------------|----------------|------------------------|----------------------|
| DRAWING TITLE: | | | |
| Free Plug - 2 Socket Contacts | | | |
| SIZE | DWG NO. | ELECTRONIC FILE | REV |
| A | M10002526 | 3106F-S-DWG | A |
| SCALE: NTS | | U.O.M.: mm | SHEET: 3 OF 5 |



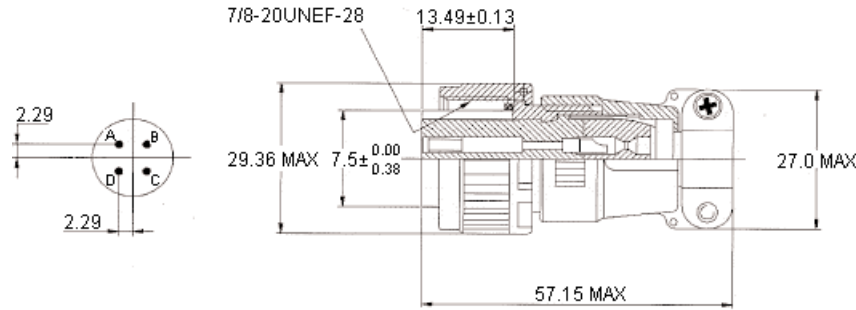
PART NO.

M90-3106F1

REVISIONS

| ECN # | REV | DESCRIPTION | DRAWN | DATE | CHECKD | DATE | APPRVD | DATE |
|-------|-----|-------------|-------|----------|--------|----------|---------|----------|
| - | A | RELEASED | Malli | 20/03/10 | Jagan | 20/03/10 | Farnell | 05/04/10 |

M90-3106F14S-2S



Dimensions: Millimetres

Specifications:

Material:

Shell : Aluminum alloy
 Insulator : Polychloroprene.
 Grommet : Polychloroprene.
 Contact : Copper alloy

Finish:

Shell : Zinc with black chromtate coating
 Contact : Silver

Electrical:

Current rating : 13 Amps
 Voltage rating : 500V ac, 700V dc
 Insulation resistance : 5000MΩ minimum

Environmental:

Temperature range : 55°C to 125°C
 Vibration : 10 to 500Hz (10g) per MIL-STD-1344, method 2005
 Salt spray : 48 hours, 5% salt solution, per MIL-STD-1344 method 1001
 Humidity : 95 ±3%, 71 ±2°C, 14 days

Mechanical:

Coupling : Threaded
 Polarisation : Single key/Keyway
 Contact type : Solder
 Contact arrangement : 3 contacts
 Durability : 500 operations

This data sheet and its contents (the "Information") belong to the Premier Farnell Group (the "Group") or are licensed to it. No licence is granted for the use of it other than for information purposes in connection with the products to which it relates. No licence of any intellectual property rights is granted. The Information is subject to change without notice and replaces all data sheets previously supplied. The Information supplied is believed to be accurate but the Group assumes no responsibility for its accuracy or completeness, any error in or omission from it or for any use made of it. Users of this data sheet should check for themselves the Information and the suitability of the products for their purpose and not make any assumptions based on information included or omitted. Liability for loss or damage resulting from any reliance on the Information or use of it (including liability resulting from negligence or where the Group was aware of the possibility of such loss or damage arising) is excluded. This will not operate to limit or restrict the Group's liability for death or personal injury resulting from its negligence. SPC MULTICOMP is the registered trademark of the Group. © Premier Farnell plc 2009.

TOLERANCES:

UNLESS OTHERWISE SPECIFIED, DIMENSIONS ARE FOR REFERENCE PURPOSES ONLY.

| | |
|---------------------|--------------|
| DRAWN BY: | DATE: |
| Malli | 20/03/10 |
| CHECKED BY: | DATE: |
| Jagan | 20/03/10 |
| APPROVED BY: | DATE: |
| Farnell | 05/04/10 |

| | | | |
|--------------------------------------|----------------|------------------------|----------------------|
| DRAWING TITLE: | | | |
| Free Plug - 4 Socket Contacts | | | |
| SIZE | DWG NO. | ELECTRONIC FILE | REV |
| A | M10002526 | 3106F-S-DWG | A |
| SCALE: NTS | | U.O.M.: mm | SHEET: 4 OF 5 |



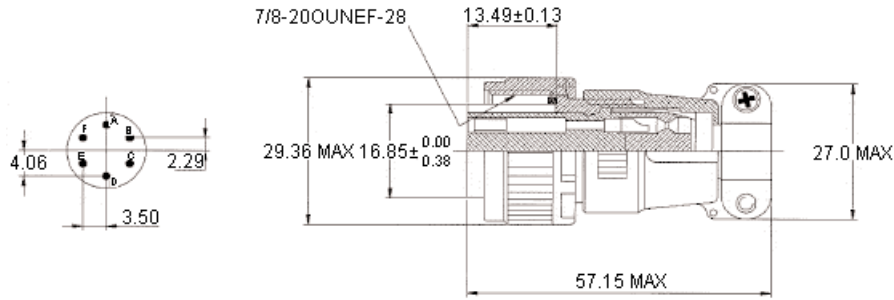
PART NO.

M90-3106F1

REVISIONS

| ECN # | REV | DESCRIPTION | DRAWN | DATE | CHECKD | DATE | APPRVD | DATE |
|-------|-----|-------------|-------|----------|--------|----------|---------|----------|
| - | A | RELEASED | Malli | 20/03/10 | Jagan | 20/03/10 | Farnell | 05/04/10 |

M90-3106F14S-6S



Dimensions: Millimetres

Part Number Table

| Description | Part Number |
|-------------------|------------------|
| Plug, Free, 3 Way | M90-3106F10SL-3S |
| Plug, Free, 2 Way | M90-3106F10SL-4S |
| Plug, Free, 2 Way | M90-3106F12S-3S |
| Plug, Free, 4 Way | M90-3106F14S-2S |
| Plug, Free, 6 Way | M90-3106F14S-6S |

Specifications:

Material:

Shell : Aluminum alloy
 Insulator : Polychloroprene.
 Grommet : Polychloroprene.
 Contact : Copper alloy

Finish:

Shell : Zinc with black chromtate coating
 Contact : Silver

Electrical:

Current rating : 13 Amps
 Voltage rating : 500V ac, 700V dc
 Insulation resistance : 5000MΩ minimum

Environmental:

Temperature range : 55°C to 125°C
 Vibration : 10 to 500Hz (10g) per MIL-STD-1344, method 2005
 Salt spray : 48 hours, 5% salt solution, per MIL-STD-1344 method 1001
 Humidity : 95 ±3%, 71 ±2°C, 14 days

Mechanical:

Coupling : Threaded
 Polarisation : Single key/Keyway
 Contact type : Solder
 Contact arrangement : 3 contacts
 Durability : 500 operations

<http://www.farnell.com>

<http://www.newark.com>

<http://www.cpc.co.uk>

This data sheet and its contents (the "Information") belong to the Premier Farnell Group (the "Group") or are licensed to it. No licence is granted for the use of it other than for information purposes in connection with the products to which it relates. No licence of any intellectual property rights is granted. The Information is subject to change without notice and replaces all data sheets previously supplied. The Information supplied is believed to be accurate but the Group assumes no responsibility for its accuracy or completeness, any error in or omission from it or for any use made of it. Users of this data sheet should check for themselves the Information and the suitability of the products for their purpose and not make any assumptions based on information included or omitted. Liability for loss or damage resulting from any reliance on the Information or use of it (including liability resulting from negligence or where the Group was aware of the possibility of such loss or damage arising) is excluded. This will not operate to limit or restrict the Group's liability for death or personal injury resulting from its negligence. SPC MULTICOMP is the registered trademark of the Group. © Premier Farnell plc 2009.

TOLERANCES:

UNLESS OTHERWISE SPECIFIED, DIMENSIONS ARE FOR REFERENCE PURPOSES ONLY.

| | |
|--------------|----------|
| DRAWN BY: | DATE: |
| Malli | 20/03/10 |
| CHECKED BY: | DATE: |
| Jagan | 20/03/10 |
| APPROVED BY: | DATE: |
| Farnell | 05/04/10 |

DRAWING TITLE:

Free Plug - 6 Socket Contacts

| | | | |
|------------|------------|-----------------|-----|
| SIZE | DWG NO. | ELECTRONIC FILE | REV |
| A | M10002526 | 3106F-S-DWG | A |
| SCALE: NTS | U.O.M.: mm | SHEET: 5 OF 5 | |