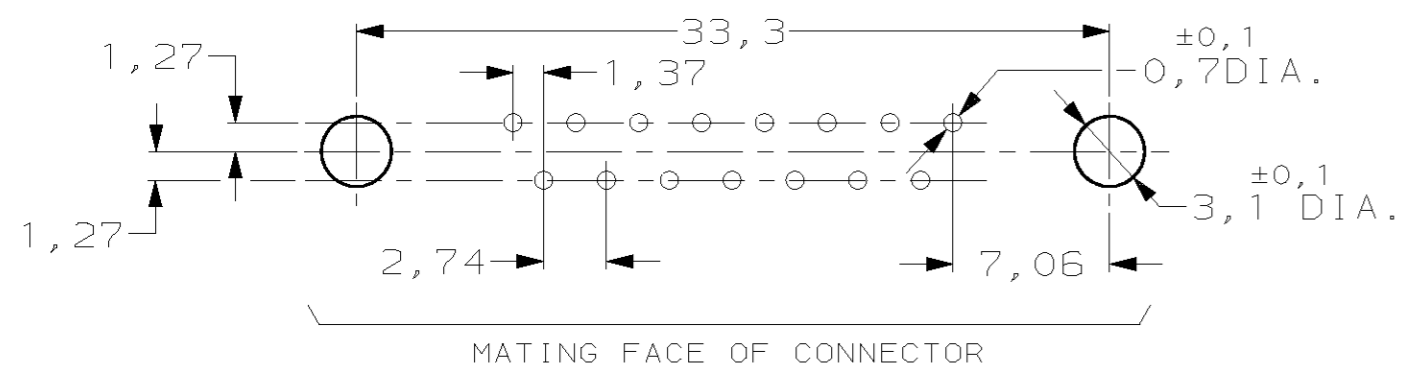


RECOMMENDED P.C. BOARD HOLE-LAYOUT



DO NOT SCALE

METRIC

THIRD ANGLE PROJECTION

DIMENSIONS IN mm

5	3,1 DIA. INSERT	2	2	2	2	2	2	2	2
5	INSERT WITH INNER THREAD 4-40 UNC	2	2	2	2	2	2	2	2
5	INSERT WITH INNER THREAD M3	2	2	2	2	2	2	2	2
4	FEMALE SCREWLOCK WITH 4-40 UNC	2	2	2	2	2	2	2	2
4	FEMALE SCREWLOCK WITH M3	2	2	2	2	2	2	2	2
7	BOARDLOCK	2	2	2	2	2	2	2	2

ACCESSORIES PREFIX "Z"

HOW TO ORDER

PLATING SUFFIX "Y"

15 POS. -----> Z-338169-Y
 PREFIX FOR ACCESSORIES }
 BASIC PARTNR. }
 SUFFIX FOR PLATING }

GOLD OVER NICKEL AS PER PERFORMANCE LEVEL 2 (DIN 41652)
 SOLDERPART : 2,5µm TIN OVER NICKEL. } -Y = -2

- ① GROOVE INDICATES VERSION WITH 4-40 UNC INNER THREAD; WITHOUT GROOVE INDICATES VERSION WITH M3 INNER THREAD.
- ② CAVITY IDENTIFICATION AT FRONT SIDE ONLY.
- ③ PARTNUMBER AND DATE CODE.
- ④ SHELL HAS 2x4 GROUNDING SPRINGS; PITCH IS 3,6 mm

- ITEM NRS./MATERIAL :
- ① SHELL : BRIGHT TINPLATED STEEL
 - ② HOUSING : GLASSFILLED POLYESTER, COLOR : BLACK
 - ③ CONTACTS : PH. BRONZE (PLATING : SEE TABLE ABOVE)
 - ④ FEMALE SCREWLOCK : TINPLATED STEEL (INNER THREAD 4-40 UNC OR M3)
 - ⑤ INSERT : TINPLATED STEEL (INNER THREAD 4-40 UNC OR M3 OR 3,1 DIA THRU-HOLE)
 - ⑥ BRACKET : TINPLATED STEEL
 - ⑦ BOARDLOCK : TINPLATED PHOSPHORBRONZE
 - ⑧ POSTALIGNMENT PLATE : GLASSFILLED NYLON, COLOR : BLACK

CUSTOMER DRAWING				FOR REFERENCE ONLY WILL NOT BE UPDATED			
© COPYRIGHT 19- BY AMP-HOLLAND B.V.				ALL INTERNATIONAL RIGHTS RESERVED. AMP PRODUCTS MAY BE COVERED BY U.S. AND FOREIGN AND/OR PATENTS PENDING.			
THIS DRAWING IS UNPUBLISHED				RELEASED FOR PUBLICATION			
G	EHCO-0013-04	JvdH	PDJ	24	MAR	04	
F	EH-1417-99	T.K.	W.C.	19-02-00			
E	EH-0412-00	RvH	R.F.	27	MAR	00	
D	EH-0033-99	D.K.	W.S.	18	JAN	99	
LTR.	REVISION RECORD	DR.	CHK.	DATE			
DR.:	D. KESSLER	CHK.:	W. SOOMERS	APP.:	-	DWG. No.	C-338169
DATE:	18 JAN 99	DATE:	-	DATE:	-	REV. LTR.	G
						SHEET	1 OF 1
							A2