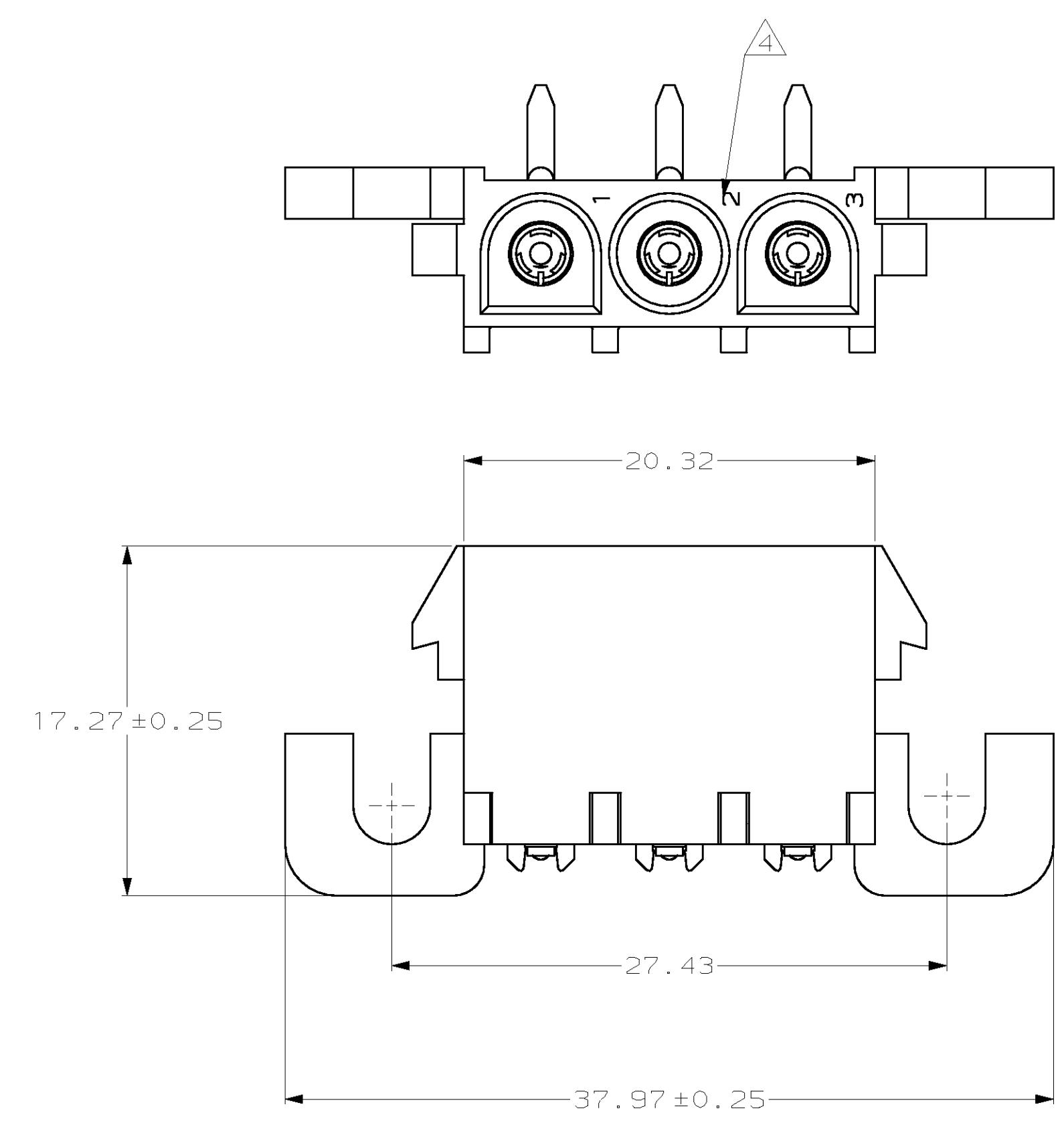
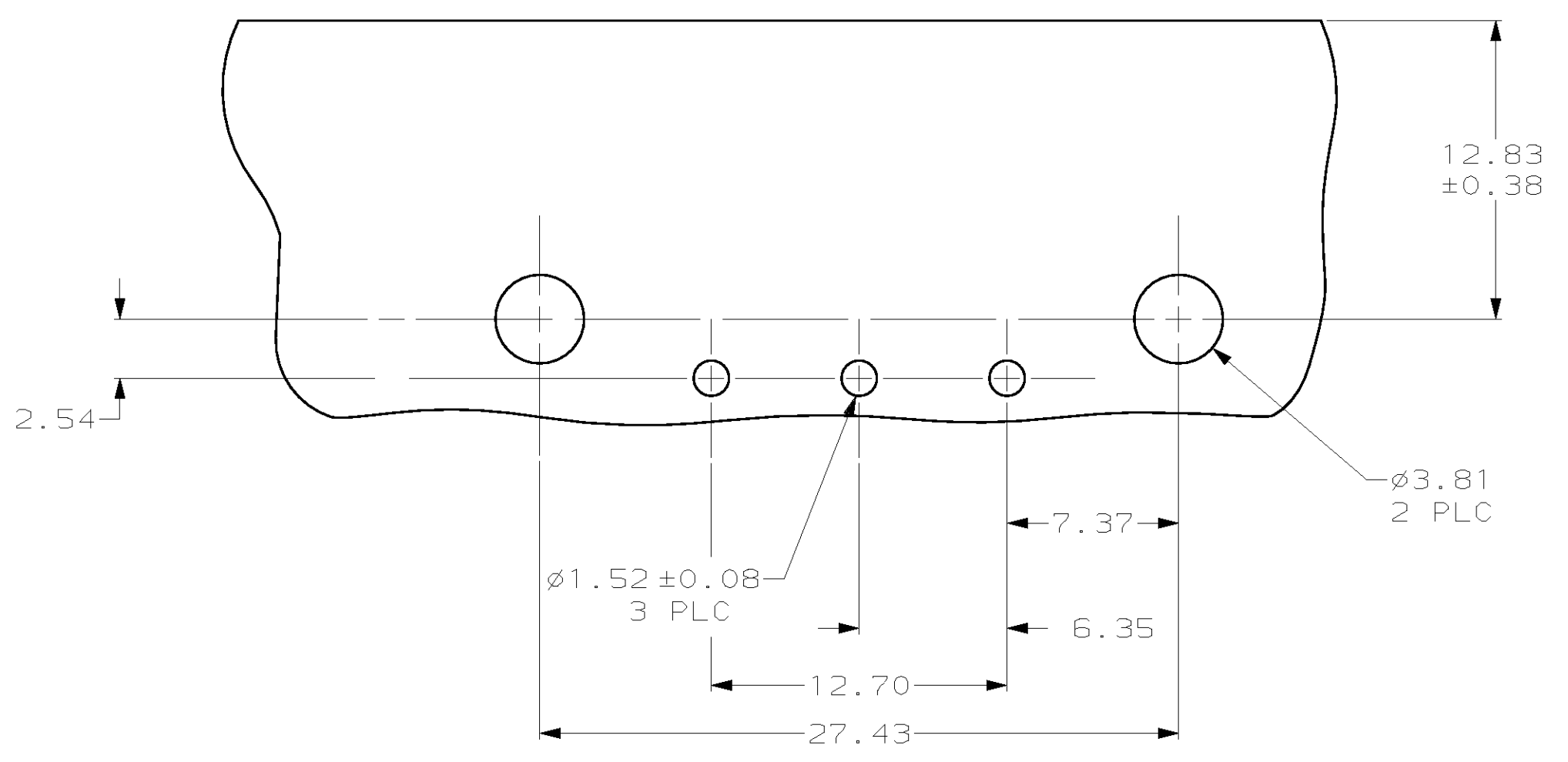
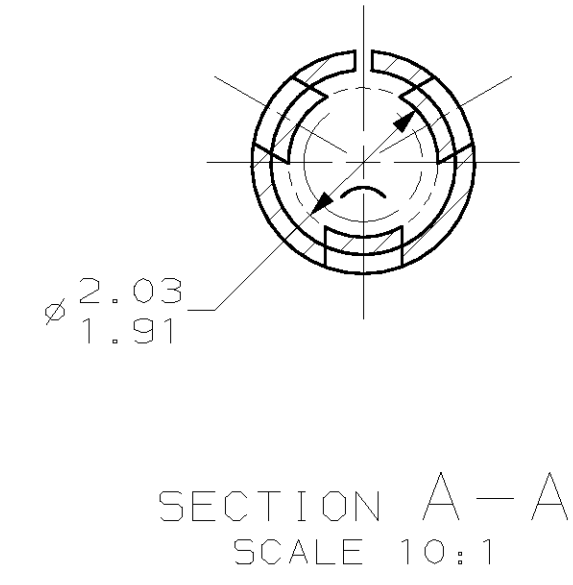
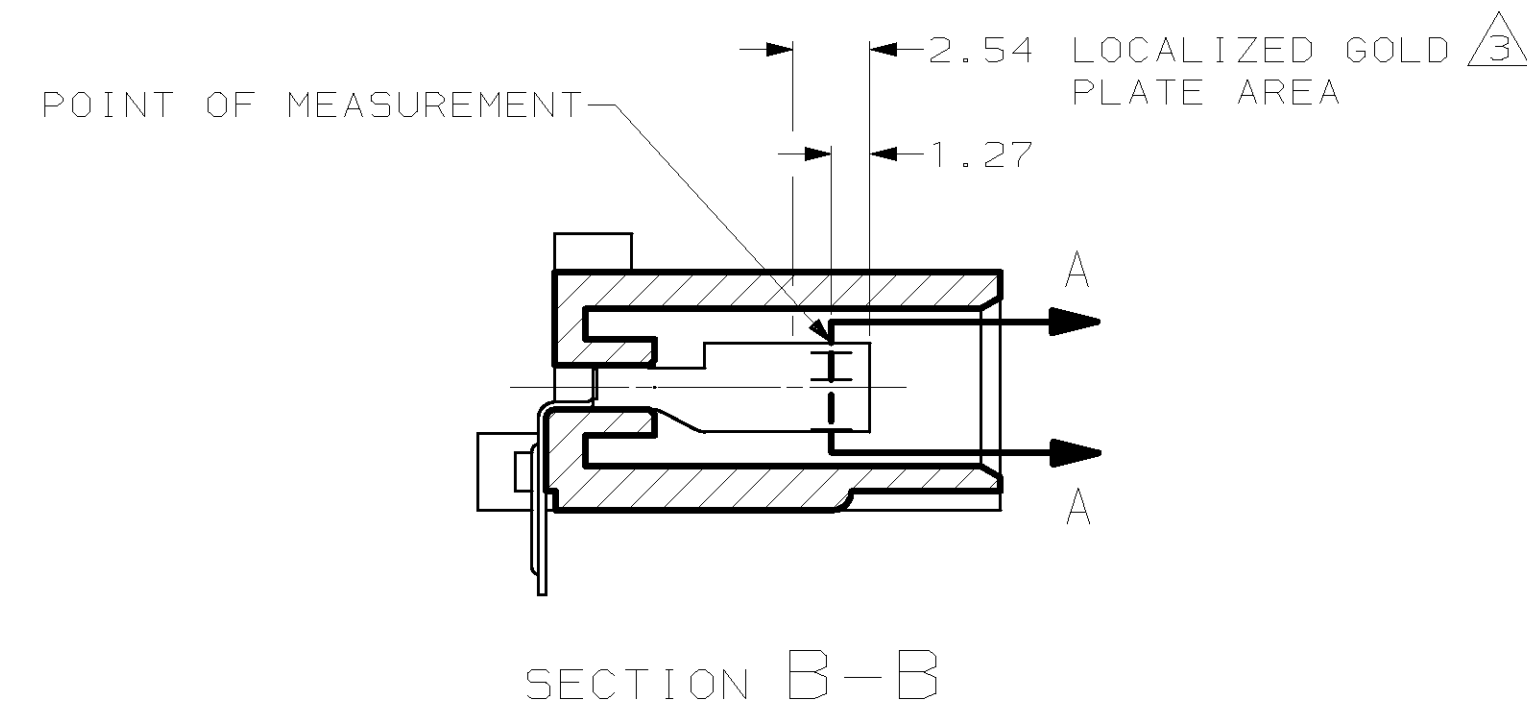
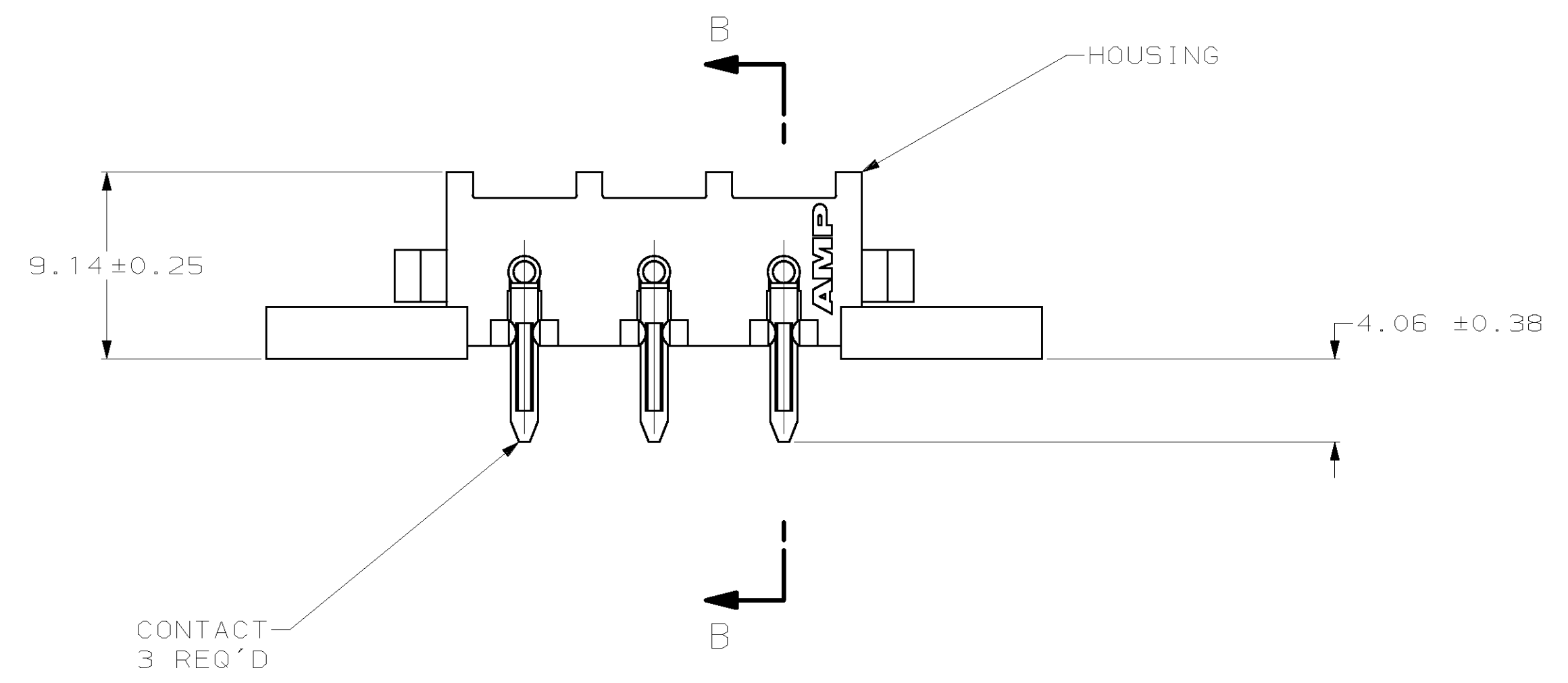


LOC	REV	DATE	DESCRIPTION	DATE	OWN	APPROV
CM	53					
C	REV PER EC	0618-0127-98		6-23-98	BL	RS



1. PARTS COMPLY WITH AMP SOLDERABILITY SPECIFICATION 109-11-5.

- 3 0.00076 GOLD OVER 0.00127 MIN NICKEL WITH MATTE TIN ON SOLDER TAIL.
- 4 CIRCUIT IDENTIFICATION CHARACTERS ARE ADJACENT TO THE INDICATED CAVITIES, BUT LOCATION AND ORIENTATION MAY DIFFER FROM PRINT.



RECOMMENDED MOUNTING HOLE PATTERN FOR 1.57 THICK P.C. BOARD

MM	IN	MM	IN
2.54	.100		
2.03	.080	37.97	1.495
1.91	.075	27.43	1.080
1.57	.062	20.32	.800
1.52	.060	17.27	.680
1.27	.050	12.83	.505
0.38	.015	12.70	.500
0.25	.010	9.14	.360
0.13	.005	7.37	.290
0.08	.003	6.35	.250
0.00127	.000050	4.06	.160
0.00076	.000030	3.81	.150
MM	IN	MM	IN

PH BRZ, 3	NYLON UL 94V-0	643228-2
PH BRZ, TIN	NYLON UL 94V-0	643228-1
CONTACT	HOUSING	PART NUMBER

DIMENSIONS: SEE TABLE TOLERANCES UNLESS OTHERWISE SPECIFIED: 0 PLC ± .01 1 PLC ± .013 2 PLC ± .02 3 PLC ± .03 4 PLC ± .05 ANGLES ± .5° FINISH SEE TABLE		AMP INCORPORATED HARRISBURG, PA 17105-3608 SOCKET HEADER ASSEMBLY, RIGHT ANGLE MOUNT, 3 POSITION, UNIVERSAL MATE-N-LOK™ SIZE: A1 CAGE CODE: 00779 DRAWING NO: C-643228 SCALE: 4:1 SHEET: 1 OF 1 REV: C
---	--	--

