

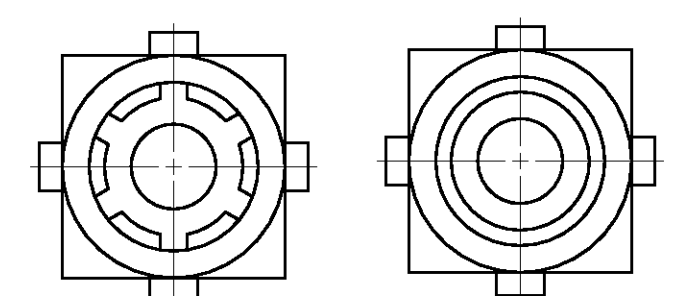
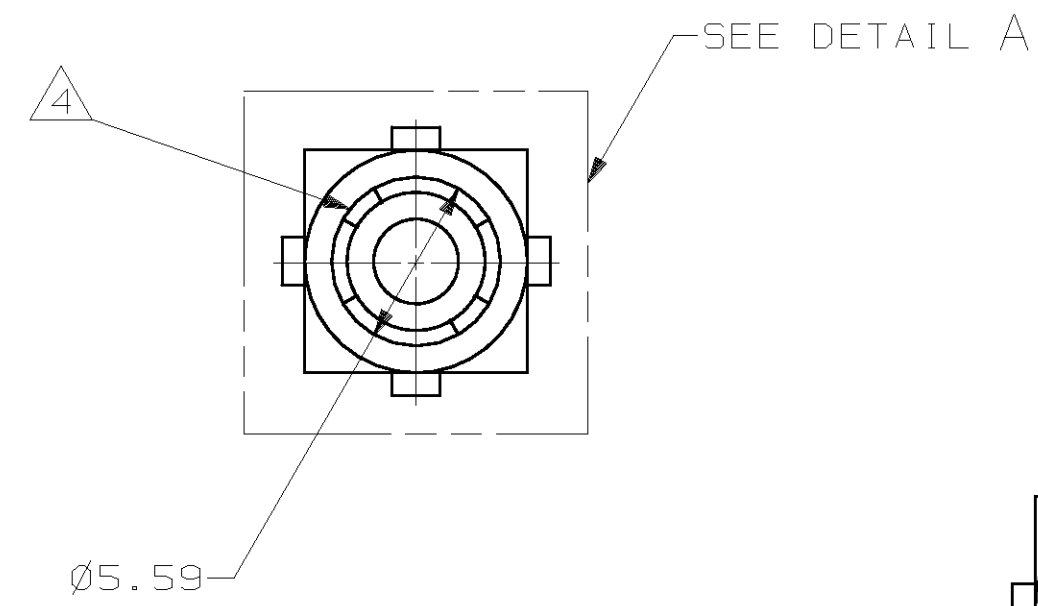
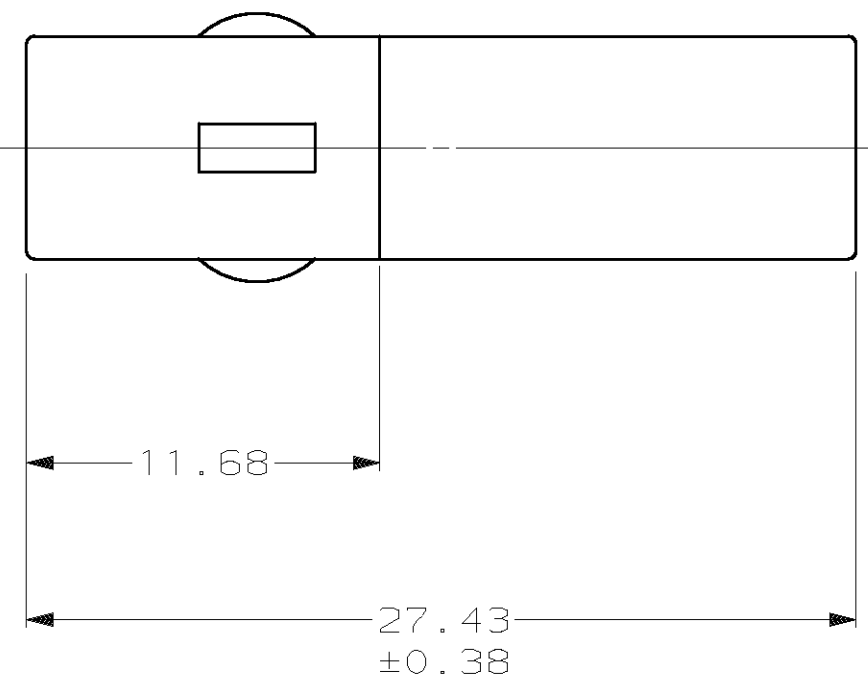
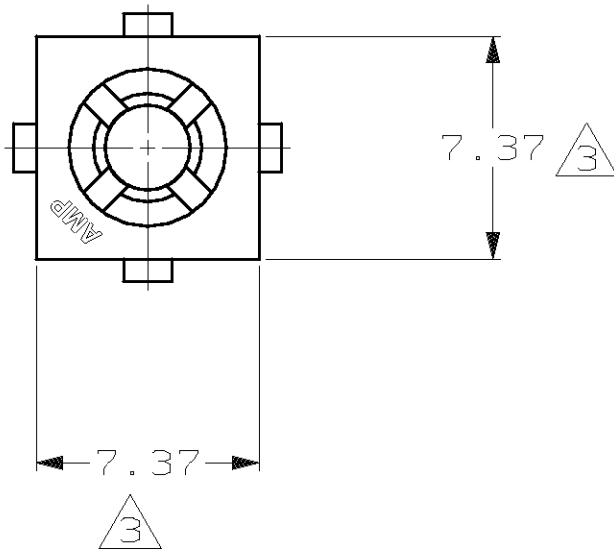
THIS DRAWING IS UNPUBLISHED. RELEASED FOR PUBLICATION, 19 .  
 © COPYRIGHT 19 BY AMP INCORPORATED. ALL INTERNATIONAL RIGHTS RESERVED.

LOC		DIST		REVISIONS			
ZONE	LTR	DESCRIPTION	DATE	APPD			
CM	53			R	REV PER EC	061B-0184-98	10-15-98 JH RS

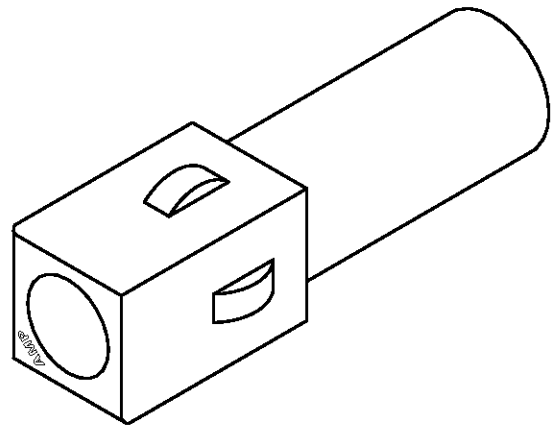
- MATES WITH APPROPRIATE UNIVERSAL MATE-N-LOK™ CAP.
- SMALL NICKS ARE PERMITTED ON THE CIRCUIT TOWER WHICH COULD INCREASE THE INITIAL HOUSING MATING FORCE BY UP TO 2.2 NEWTONS [.5 LBS].

⚠ DIMENSION INDICATED IS AS MOLDED. ADDITIONAL GROWTH DUE TO SUBSEQUENT MOISTURE ABSORPTION MAY OCCUR.

⚠ FOUR RIBS EQUALLY SPACED, NO SPECIFIC ORIENTATION. NO RIBS OR SIX RIBS EQUALLY SPACED, NO SPECIFIC ORIENTATION, OPTIONAL.



DETAIL A  
OPTIONAL CONSTRUCTION



3-DIMENSIONAL MODEL  
NTS

MM	IN
27.43	1.080
11.68	.460
7.37	.290
5.59	.220
0.38	.015
0.13	.005
MM	IN

CONVERSION TABLE

**METRIC**

DO NOT SCALE PRINT. UNLESS SPECIFIED DIMENSIONS IN mm [INCHES] TOLERANCES ON: 2 PLC DEC ± 0.13 3 PLC DEC ± - ANGLES ± 0°30'		DR 3-9-92 K. WHITAKER		350865-1 PART NO	
MATERIAL NYLON, UL 94V-0		CHK 3-9-92 R. SWING		AMP AMP Incorporated Harrisburg, PA 17105-3608	
FINISH -		APPD 3-10-92 D. SELF		NAME PLUG, SINGLE CIRCUIT, UNIVERSAL MATE-N-LOK™	
APPLICATION SPEC -		APPD 3-10-92 D. SELF		SIZE C 00779	
WEIGHT -		PRODUCT SPEC -		DRAWING NO 350865	
		APPLICATION SPEC -		SCALE 4:1	
		WEIGHT -		SHEET 1 OF 1	