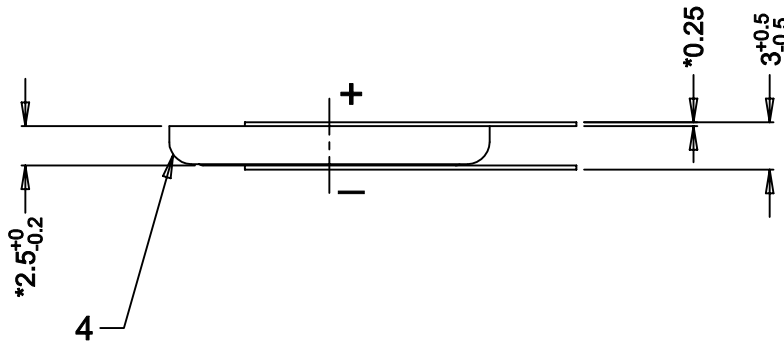
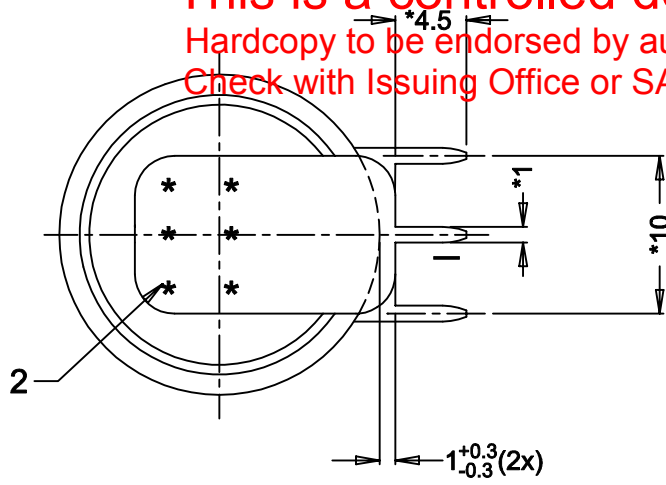


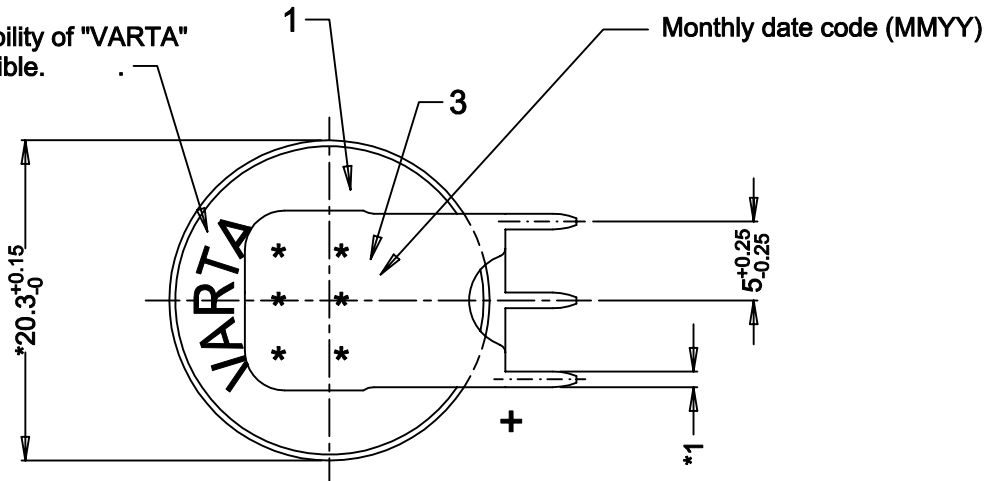
This is a controlled document.

Hardcopy to be endorsed by authorized person.

Check with Issuing Office or SAP system for latest update.



Ensure visibility of "VARTA" where possible.



Note : * Dimensions for reference only.

No.	Alterations:	Date:	Name:	Dimensions in mm	Material:	
1	AO T141/00; to change weld. spot 6 was 4	2000-11-11	Ratna	Tolerance: As Specified	Refer to part list no: 650646	
2	AO T18/01; To add the date code area for Lithium coin	2001-03-08	Yeni	Projection:		
				Scale: 2 : 1	Description: CR2025 battery with insulator & solder tags	
				Date: 2000-11-11		Name: Ratna
				Prepared:		
				Approved: 2001-		
RIGHTS RESERVED TO MAKE TECHNICAL CHANGES, AS A RESULT OF FURTHER DEVELOPMENT, WITHOUT NOTICE. THIS DRAWING IS THE PROPERTY OF VARTA BATTERIES PTE LTD AND MUST NOT BE COPIED OR DISCLOSED TO A THIRD PARTY WITHOUT THE WRITTEN CONSENT OF VARTA BATTERIES PTE LTD.					Dwg. No: 650646	
					VKB Order No: 06025 201 501	
Distribution: 0, 1.1, 2.1, 2.2, 2.3, 3.3.					Released :	