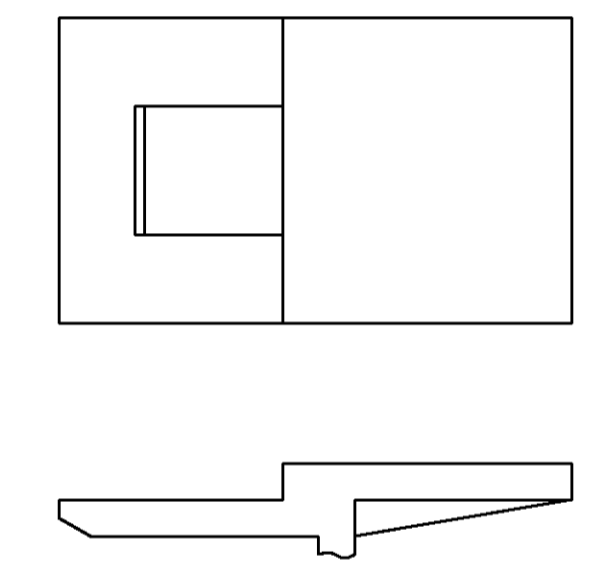
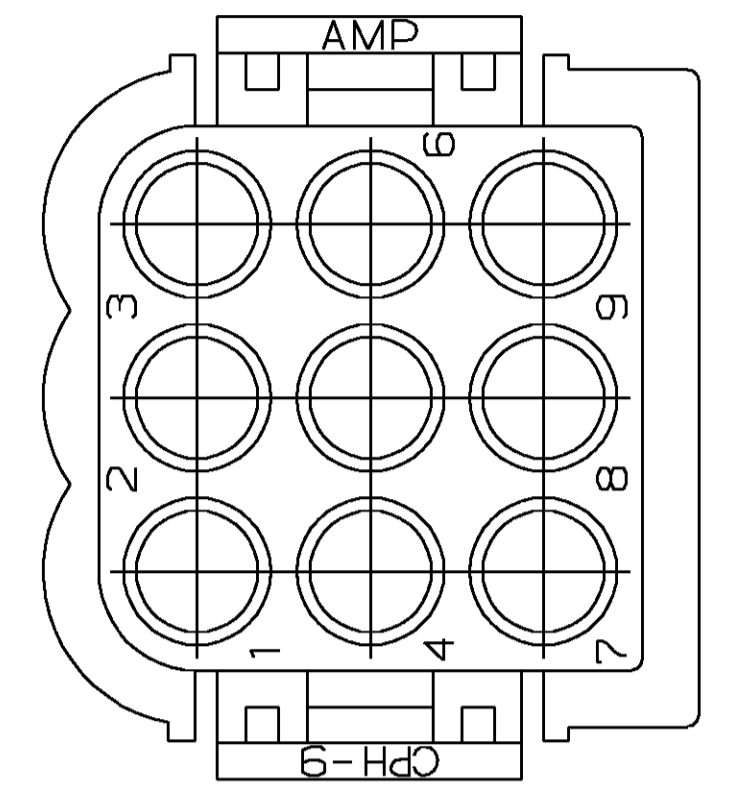
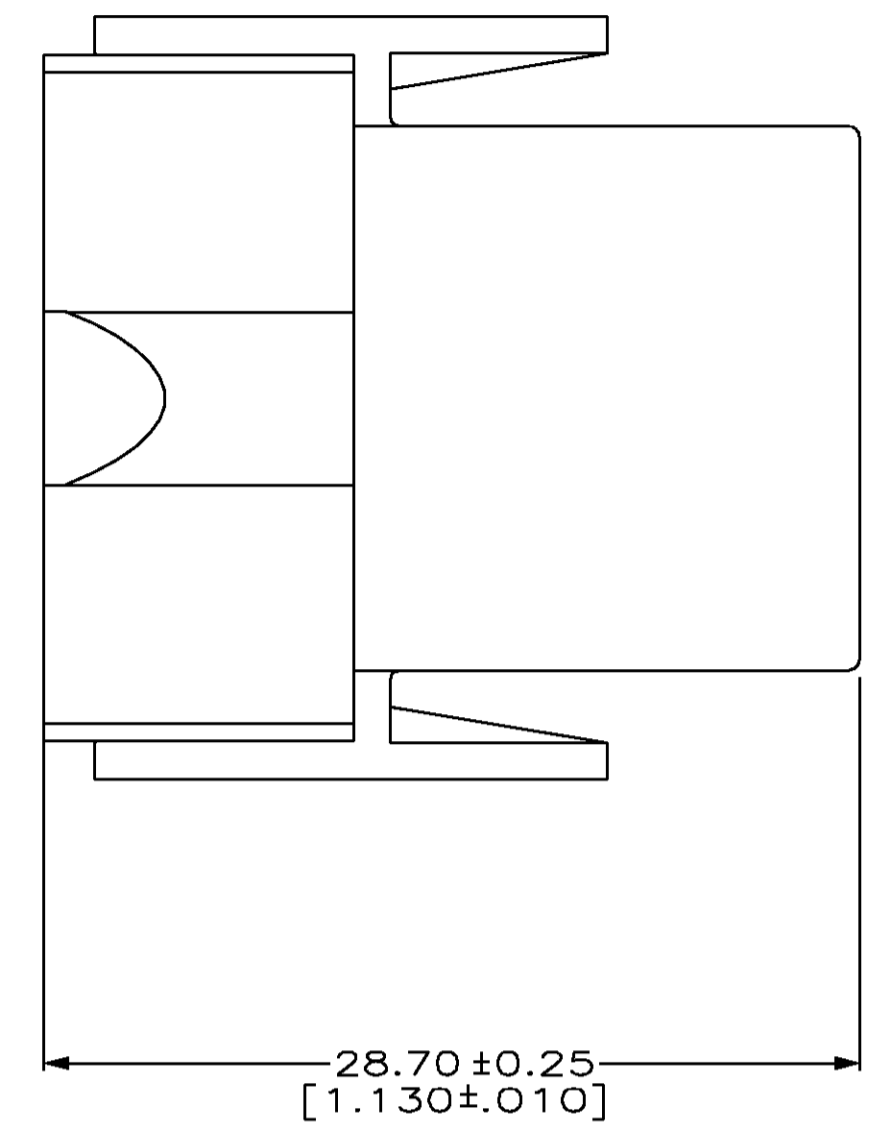
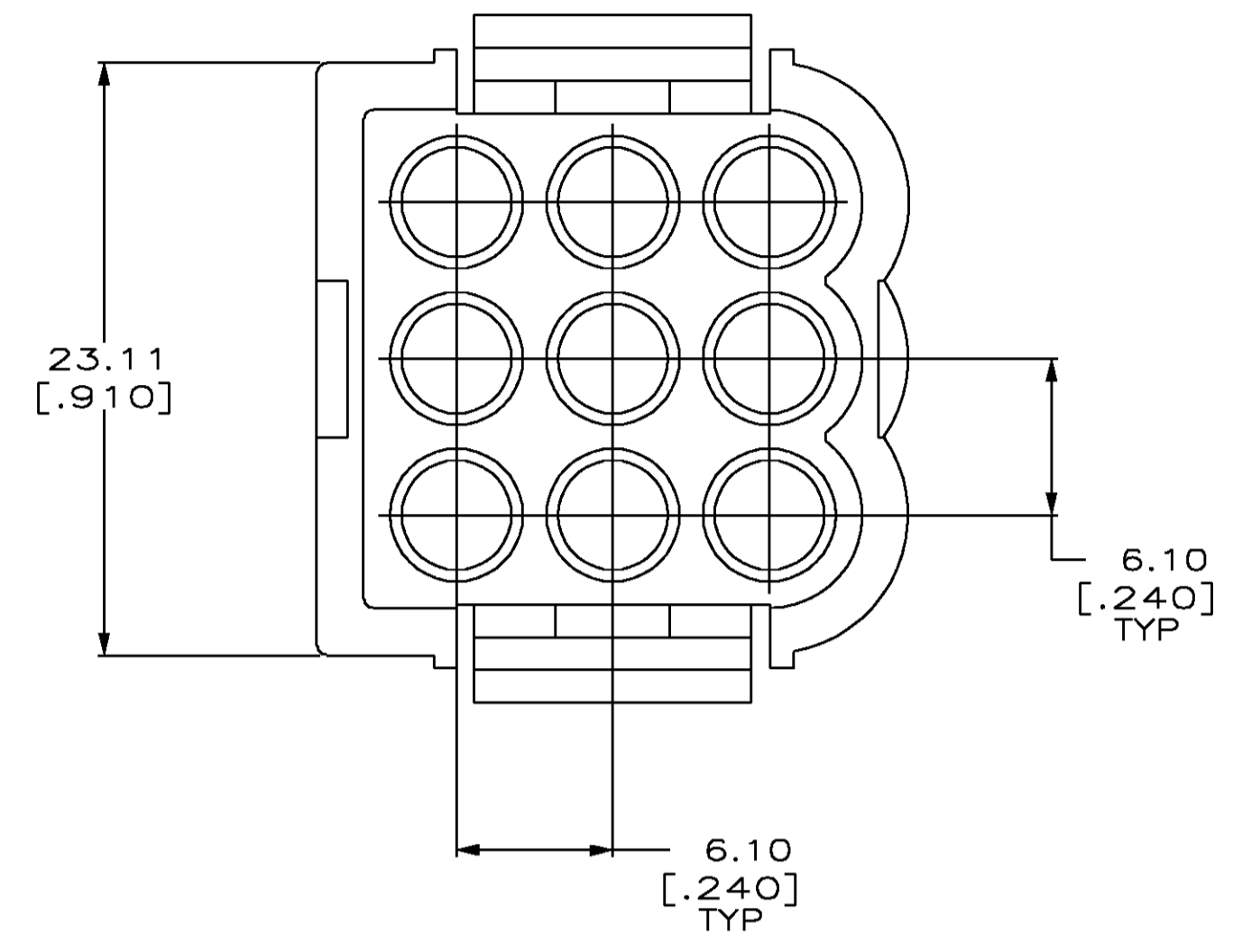
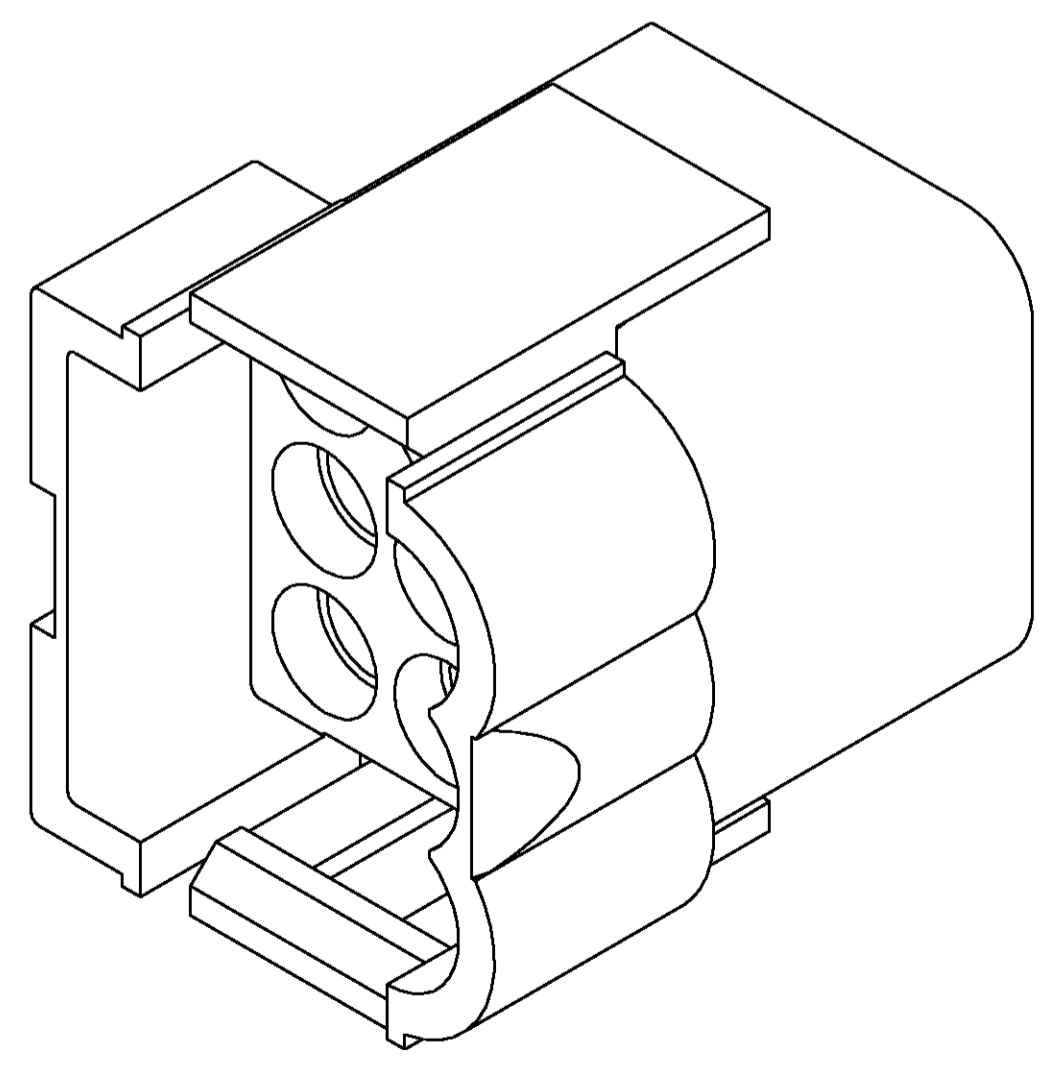
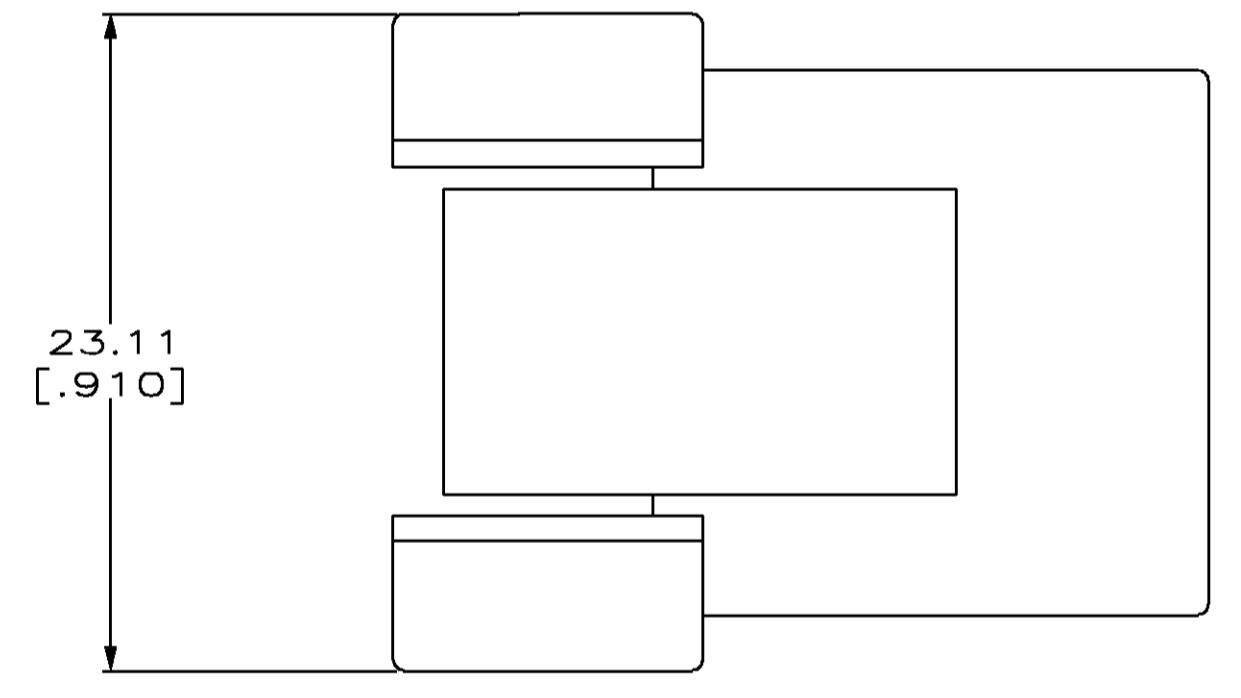


THIS DRAWING IS UNPUBLISHED. RELEASED FOR PUBLICATION  
 © COPYRIGHT - BY TYCO ELECTRONICS CORPORATION. ALL RIGHTS RESERVED.

LOC		DIST		REVISIONS			
P	LR	DESCRIPTION	DATE	DRW	APPD		
M		REVISED PER EC 063B-0378-00	25-JUL-00	LM	SR		



OPTIONAL CONSTRUCTION



3-DIMENSIONAL MODEL NTS

COLOR	PART NUMBER
BLACK	1-480673-9
BLUE	1-480673-6
GREEN	1-480673-5
YELLOW	1-480673-4
ORANGE	1-480673-3
RED	1-480673-2
BROWN	1-480673-1
NATURAL	1-480673-0

METRIC

THIS DRAWING IS A CONTROLLED DOCUMENT. DRW: K. WHITAKER 05-APR-2000  
 CHK: S. RIDGILL 05-APR-2000  
 APD: S. RIDGILL 05-APR-2000

NAME: Tyco Electronics Corporation, Harrisburg, PA 17105

PRODUCT SPEC: CAP 9 CIRCUIT, .140 MATE-N-LOK™

APPLICATION SPEC: ---

SIZE: A1 CAGE CODE: 00779 DRAWING NO: 480673

MATERIAL: NYLON, UL 94V-2 FINISH: --- WEIGHT: ---

CUSTOMER DRAWING SCALE: 4:1 SHEET: 1 OF 1 REV: M