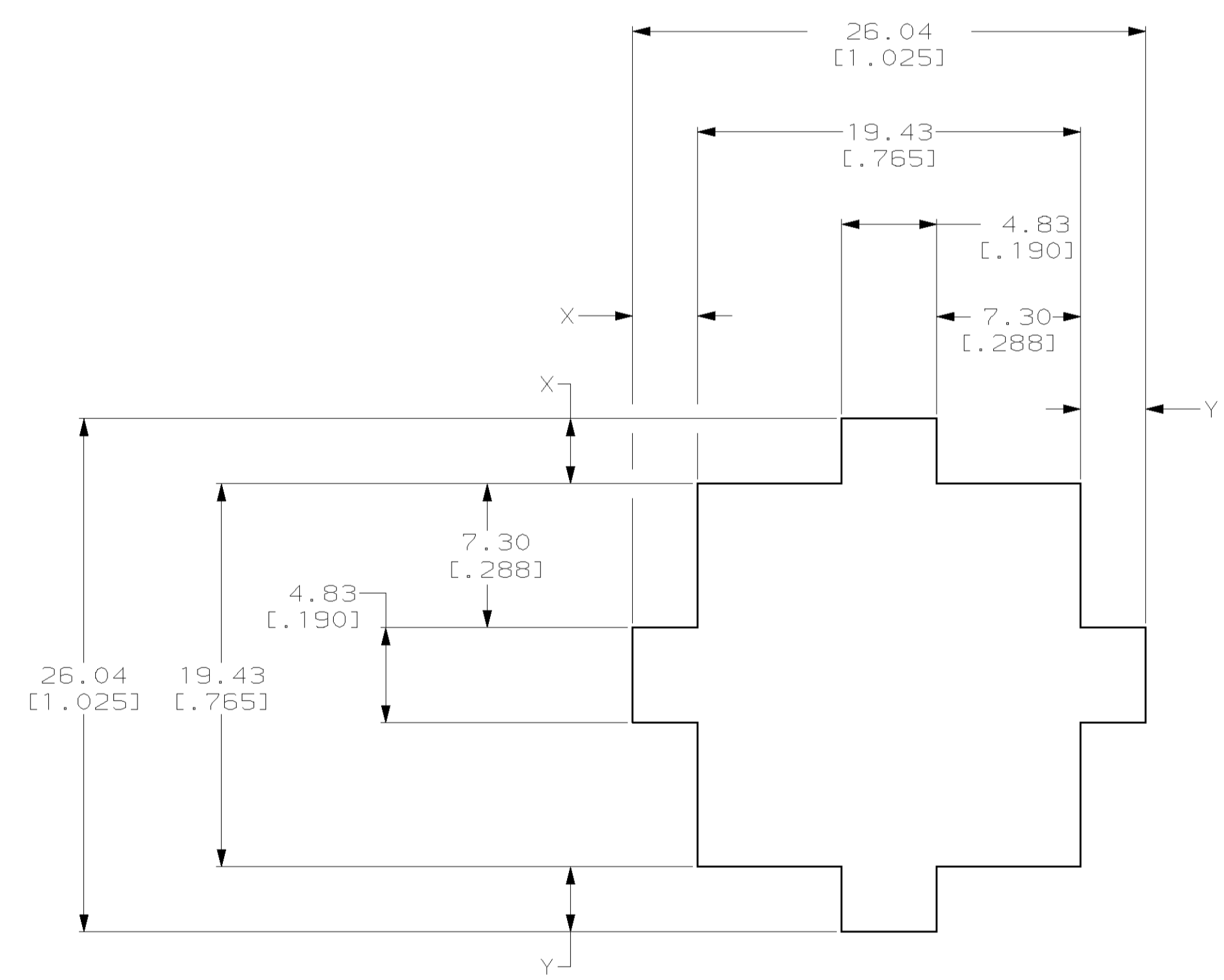
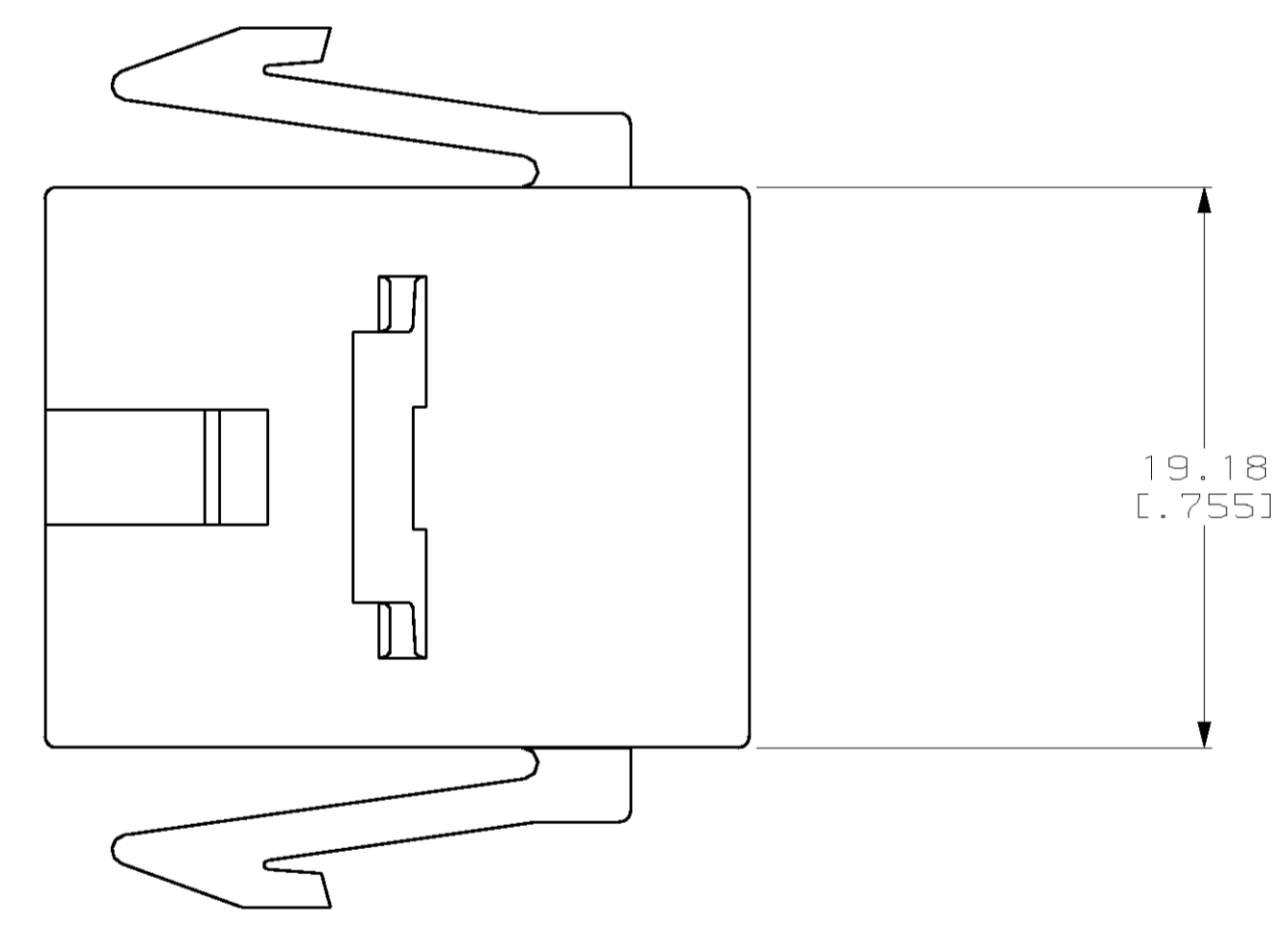
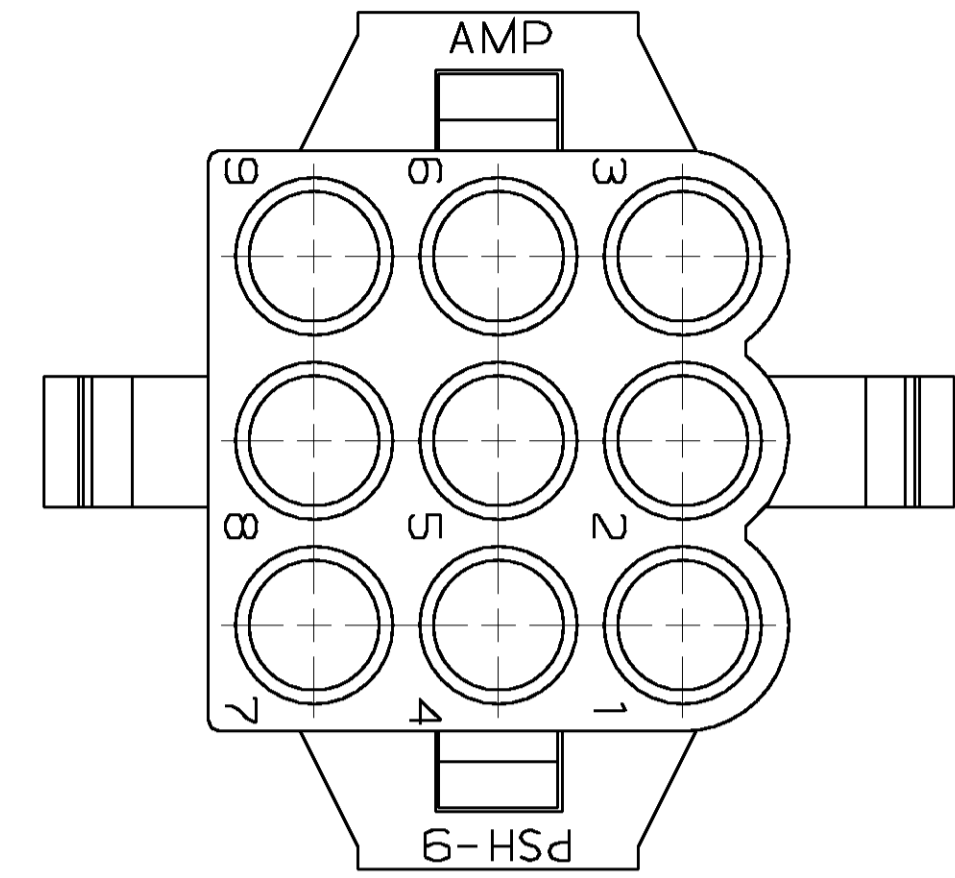
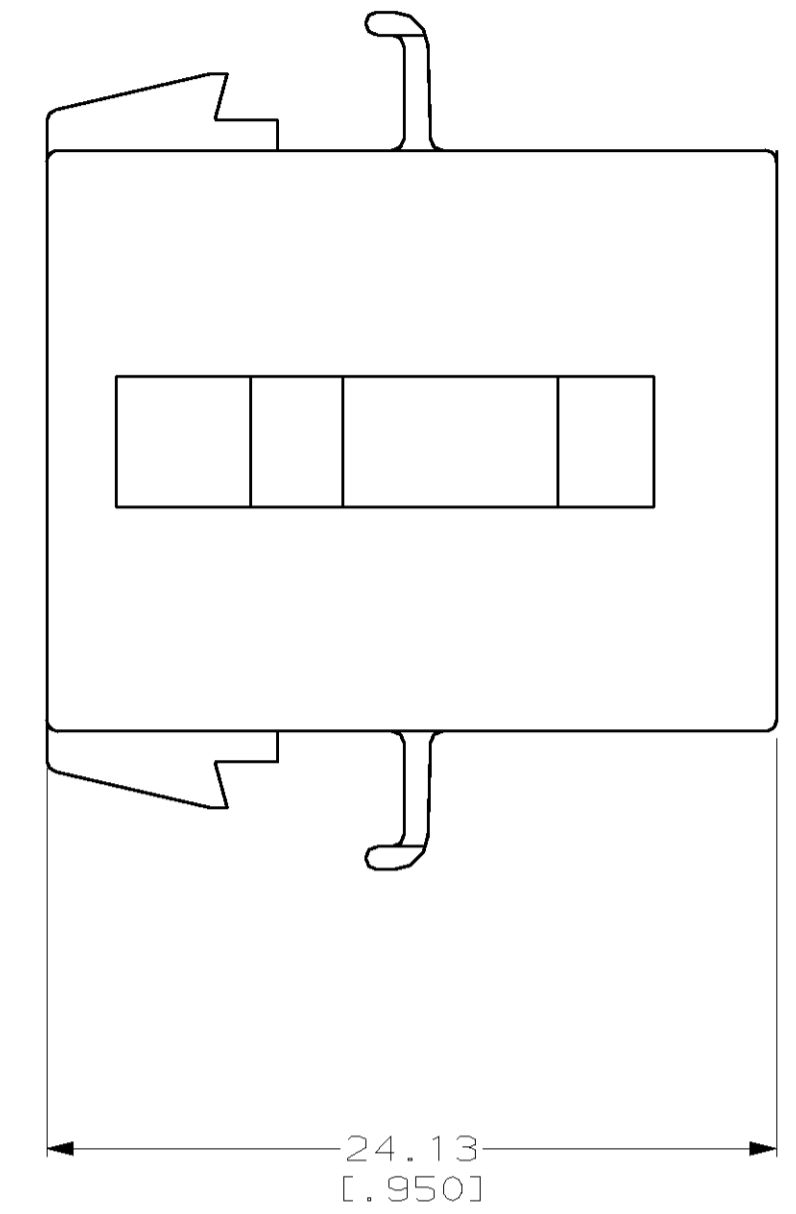
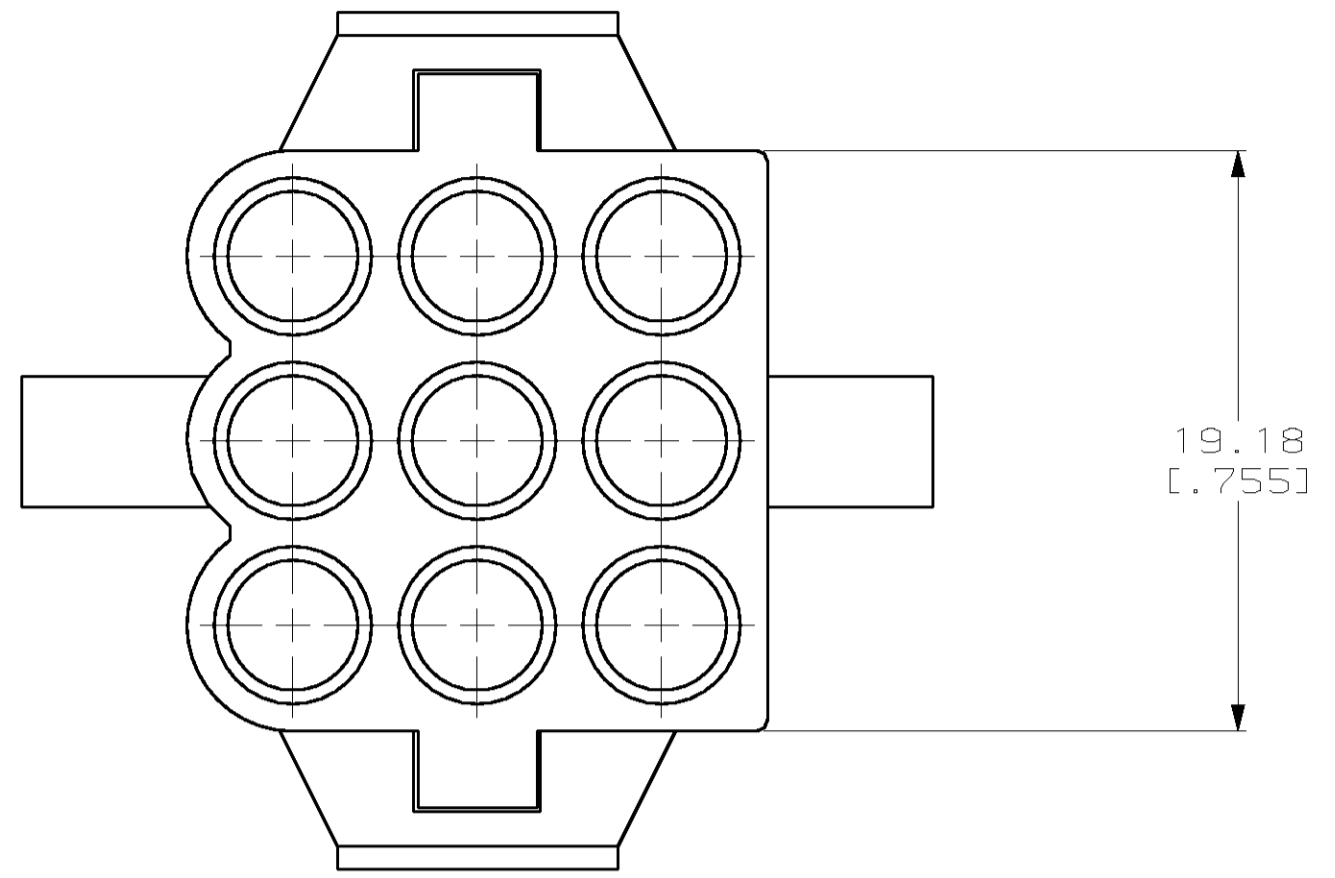
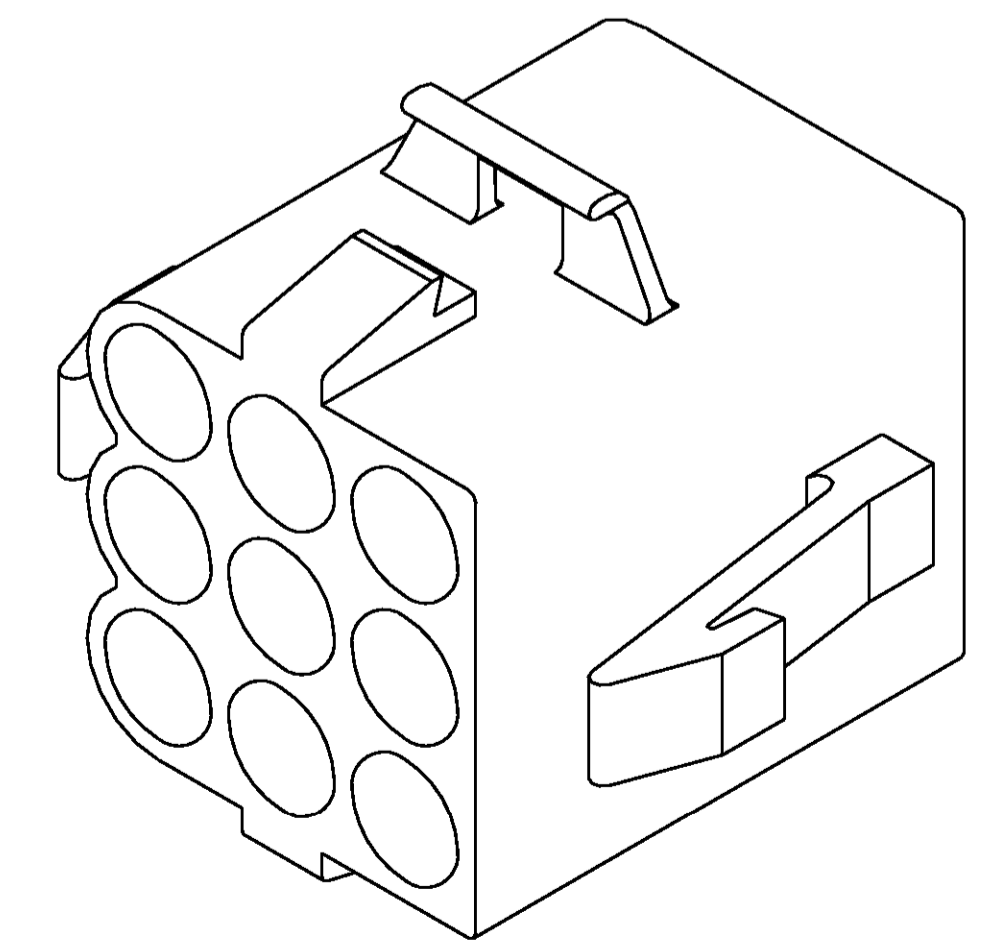


LOC	DIST	REVISIONS			
F	CHR	DESCRIPTION	DATE	OWN	APVD
CM	53	G	REVISED PER EC 063B-0008-00	15-MAR-00	KW SR

- PANEL THICKNESS - 1.02[.040] - 1.78[.070].
- X & Y TO BE EQUAL WITHIN 0.13[.005].
- PANEL MUST BE PUNCHED SO THAT THE HOUSING AND THE PUNCH ENTER THE PANEL IN THE SAME DIRECTION.



RECOMMENDED PANEL CUT OUT FOR PLUG



3-DIMENSIONAL MODEL NTS

BLACK	1-480672-9
BLUE	1-480672-6
GREEN	1-480672-5
YELLOW	1-480672-4
ORANGE	1-480672-3
RED	1-480672-2
BROWN	1-480672-1
NATURAL	1-480672-0
COLOR	PART NUMBER



THIS DRAWING IS A CONTROLLED DOCUMENT.

DIMENSIONS: mm (INCHES)	TOLERANCES UNLESS OTHERWISE SPECIFIED:	DWN K. WHITAKER 06-JAN-2000	AMP Incorporated Harrisburg, PA 17105-3608
0 PLC ±	1 PLC ±	CHK S. RIDGILL 06-JAN-2000	NAME <b>AMP</b>
2 PLC ±0.13[.005]	3 PLC ±	APVD S. RIDGILL 06-JAN-2000	
4 PLC ±	ANGLES ±	PRODUCT SPEC	PLUG
MATERIAL NYLON, UL 94V-2	FINISH -	APPLICATION SPEC	9 CIRCUIT, .140 MATE-N-LOK™
CUSTOMER DRAWING		SCALE 4:1	RESTRICTED TO

SIZE A1 CAGE CODE 00779 DRAWING NO. 480672 SHEET 1 OF 1 REV G