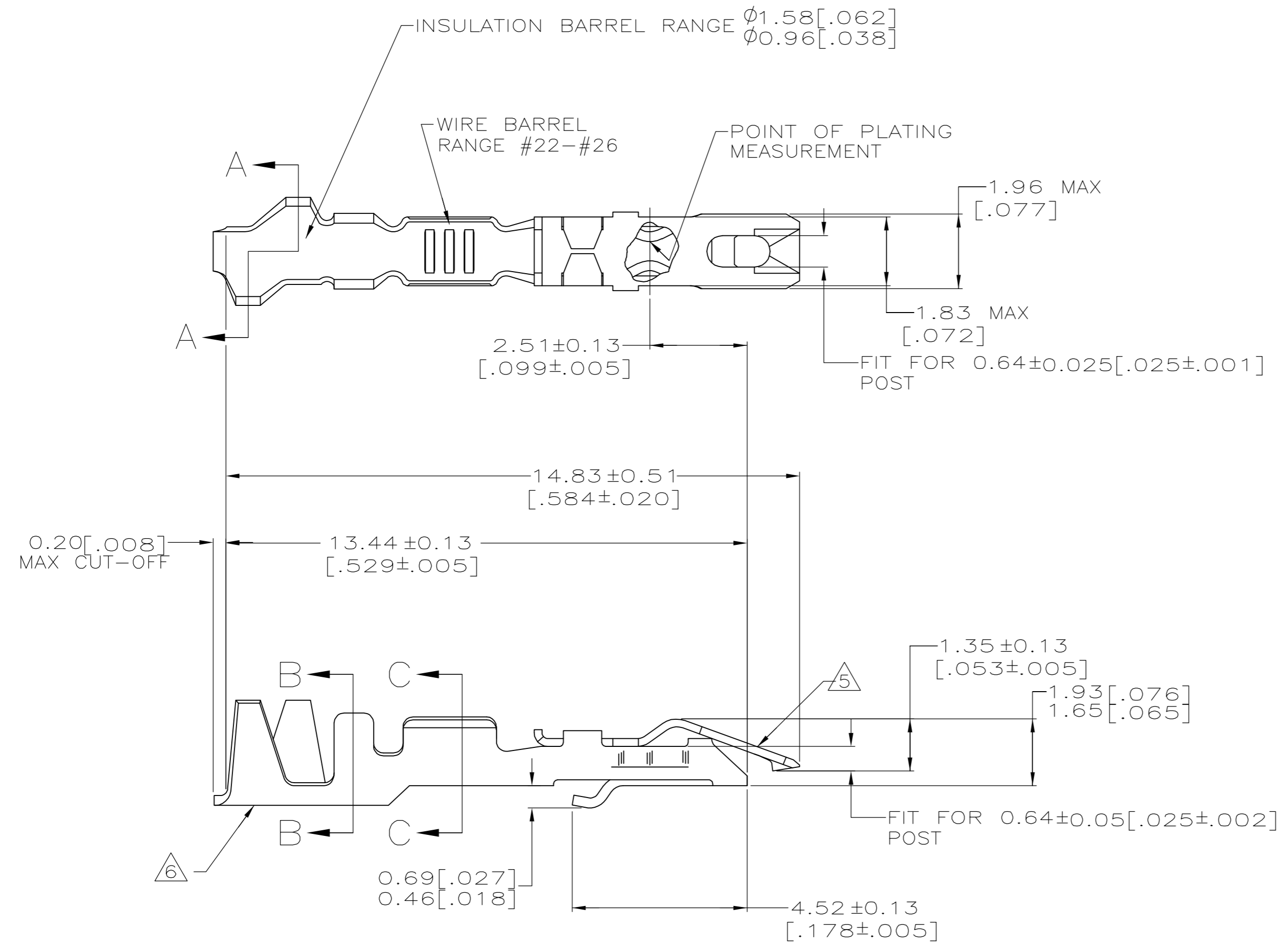
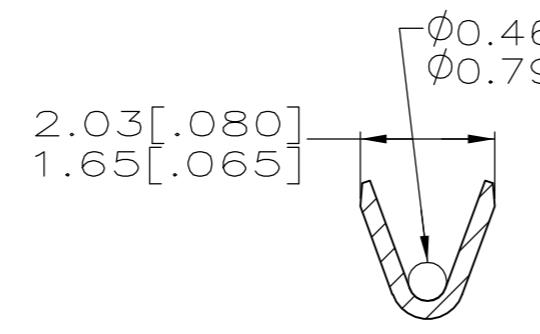
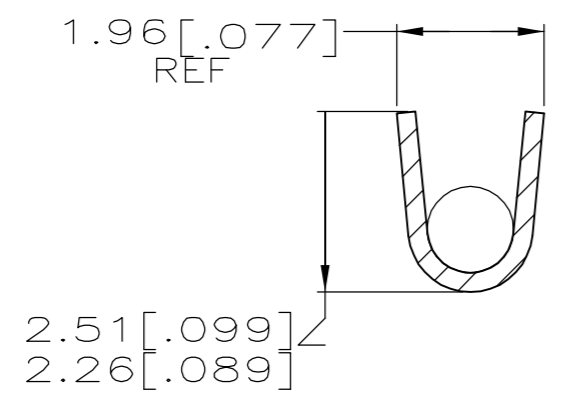
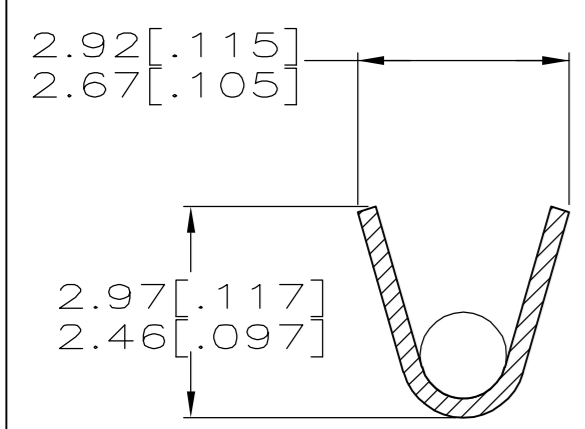


THIS DRAWING IS UNPUBLISHED. RELEASED FOR PUBLICATION
 © COPYRIGHT BY TYCO ELECTRONICS CORPORATION. ALL RIGHTS RESERVED.

LOC	DIST	REVISIONS			
P	LTR	DESCRIPTION	DATE	DWN	APVD
AD	39				
P		REVISED PER 0G3C-0412-04	14OCT04	MF	DLS



- ① PLATED WITH 0.00076[.000030] GOLD IN CONTACT AREA, GOLD FLASH ON REMAINDER, OVER 0.00127[.000050] NICKEL.
- ② PLATED WITH 0.00127[.000050] GOLD IN CONTACT AREA, GOLD FLASH ON REMAINDER, OVER 0.00127[.000050] NICKEL.
- ③ PLATED WITH 0.00254[.000100] BRIGHT TIN OVER 0.00127[.000050] NICKEL - ENTIRE CONTACT.
- ④ PLATED WITH 0.00127[.000050] GOLD OVER 0.00127[.000050] NICKEL - ENTIRE CONTACT.
- ⑤ SPRING MATERIAL: STAINLESS STEEL
- ⑥ BODY MATERIAL: PHOS BRONZE
FINISH: SEE TABLE



OBSOLETE	④	87124-4	87165-4
	②	87124-3	87165-3
	③	87124-2	87165-2
	①	87124-1	87165-1
BODY FINISH	STRIP PART NUMBER	PART NUMBER	

THIS DRAWING IS A CONTROLLED DOCUMENT.		DWN E. BRANDBERG 11-23-94	Tyco Electronics Corporation Harrisburg, Pa 17105-3608	
DIMENSIONS: mm		CHK S. SHUEY 11-23-94	NAME D. DUPLER	
TOLERANCES UNLESS OTHERWISE SPECIFIED:		APVD D. DUPLER 11-23-94	PRODUCT SPEC 108-36028	
0 PLC ± -		APPLICATION SPEC 114-25006		
1 PLC ± -		SIZE A2		
2 PLC ± -		CAGE CODE 00779		
3 PLC ± -		DRAWING NO C=87165		
4 PLC ± -		RESTRICTED TO -		
ANGLES ± -		SCALE 10:1		
FINISH SEE TABLE		SHEET 1 OF 1		
MATERIAL AS NOTED		REV P		
		CUSTOMER DRAWING		