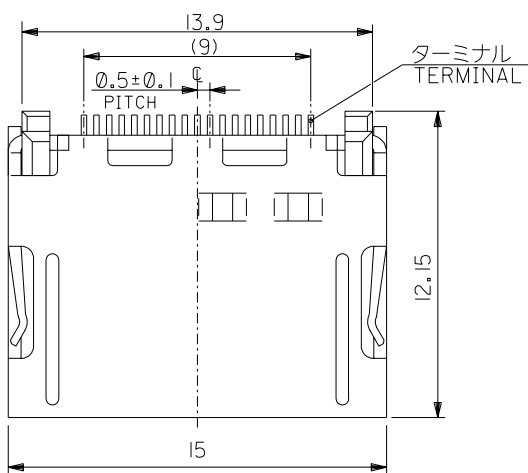
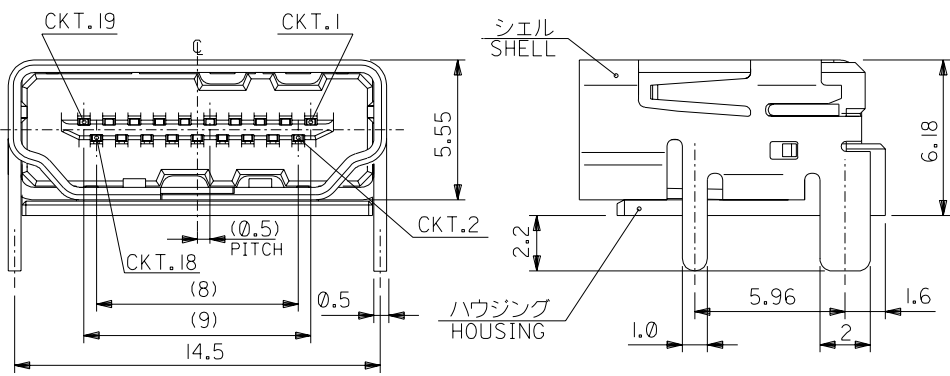


DWG. NO. SD-500254-005



注記
NOTE

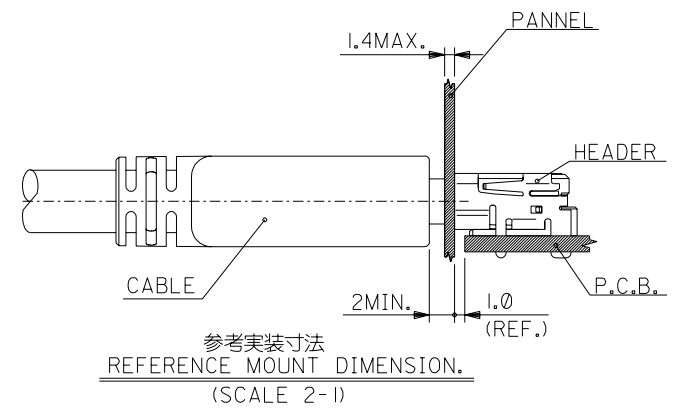
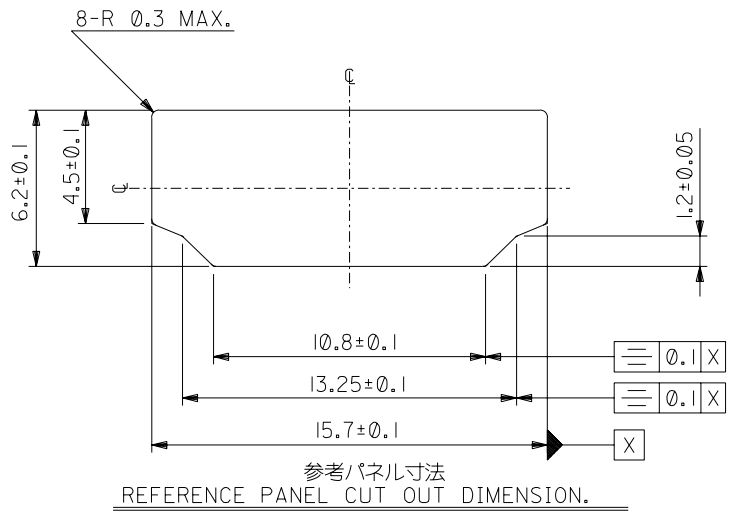
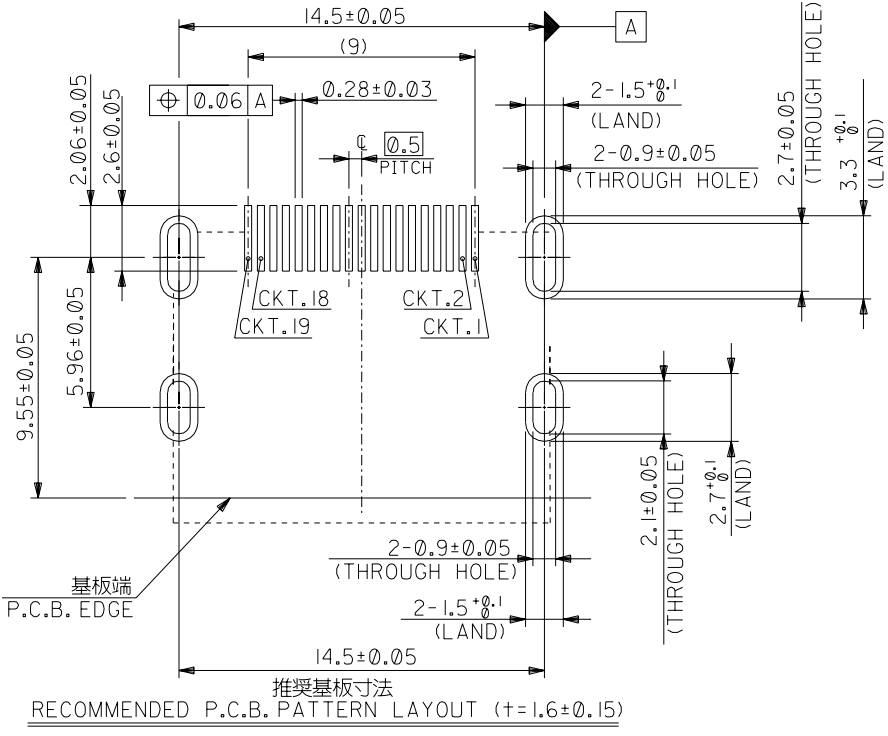
- 材質
MATERIAL
ハウジング: ガラス入り耐熱樹脂
HOUSING: GLASS FILLED HEAT-RESISTED RESIN, UL94V-0
ターミナル: 銅合金
TERMINAL: COPPER ALLOY
シェル: 銅合金
SHELL: COPPER ALLOY
- めっき仕様
PLATING
ターミナル: <接点部>金めっき
TERMINAL: <CONTACT AREA> GOLD(Au)
<半田付け部>錫めっき
<SOLDERTAIL AREA> TIN(Sn)
<下地>ニッケルめっき
<UNDER-PLATING> NICKEL(Ni)
シェル: 錫めっき
SHELL: TIN(Sn)
下地ニッケルめっき
UNDER-PLATING NICKEL (Ni)
- テール部の平坦度: 0.1 MAXIMUM.
COPLANALITY OF TAIL: 0.1 MAXIMUM.



DO NOT SCALE DRAWING

EC NO. DRWN: CHK: APPR:	EC NO. DRWN: CHK: APPR:	EC NO. DRWN: CHK: APPR:	変更 ECNNO. J2004-4202 DRWN: K.TOYODA '04/05/13 CHK: K.ASAKAWA '04/05/13 APPR: S.ICHIKAWA '04/05/13 新規作成 ECNNO. J2004-3346 DRWN: K.TOYODA '04/03/26 CHK: K.ASAKAWA '04/03/26 APPR: S.ICHIKAWA '04/03/26	MATERIAL 材料 SEE NOTE 1.	GENERAL TOLERANCES: (UNLESS SPECIFIED) 一般公差	SCALE 5-1	DESIGN UNITS <input checked="" type="checkbox"/> mm <input type="checkbox"/> INCH	THIRD ANGLE PROJECTION	DIMENSIONS: <input type="checkbox"/> mm <input type="checkbox"/> INCH <input checked="" type="checkbox"/> mm ONLY	SHT REV	REVISE ON CAD ONLY
				FINISH 仕上げ SEE NOTE 2.	10 UNDER 未満	±0.2	DRAWN BY & DATE K.TOYODA '04/03/26	TITLE: HDMI RIGHT ANGLE HEADER ASS'Y (19PIN) -LEAD FREE-			
				WIRE RANGE 適用線径範囲	10 OVER 以上	±0.25	CHECKED BY & DATE K.ASAKAWA '04/03/26	MOLEX INCORPORATED			
				INS. RANGE 被覆外径	30 OVER 以上	±0.3	APPROVED BY & DATE S.ICHIKAWA '04/03/26	MATERIAL NO. DRAWING NO.			
					ANGLE 角度	±3°	CAD FILENAME SD-500254-005.S01	SEE TABLE	SD-500254-005	SHEET NO. 1 OF 3	SIZE B

500254-1927	19
EMBOSS PACKAGING	CURCUICTS
ENG No.	
DIMENSIONS:	SHT
	REV
	REVISE ON
	CAD ONLY

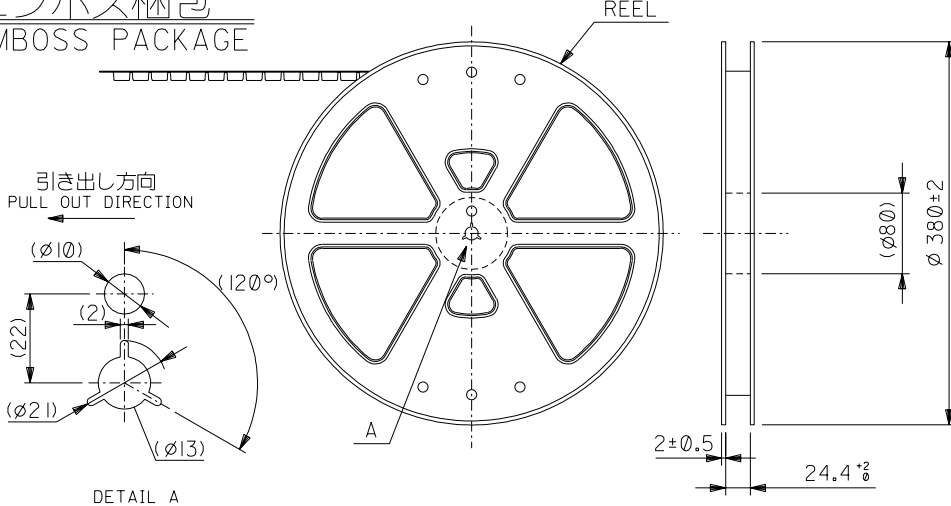


DO NOT SCALE DRAWING

EC NO. DRWN: CH'K: APPR:		EC NO. DRWN: CH'K: APPR:		EC NO. DRWN: CH'K: APPR:		EC NO. DRWN: CH'K: APPR:		EC NO. DRWN: CH'K: APPR:		SEE SHEET 1 OF 3 EC NO. DRWN: CH'K: APPR:		DESCRIPTION MATERIAL 材料 SEE NOTE 1. ON SHEET 1 OF 3.		GENERAL TOLERANCES: (UNLESS SPECIFIED) 一般公差		SCALE 5-1		DESIGN UNITS mm INCH		THIRD ANGLE PROJECTION		DIMENSIONS: <input type="checkbox"/> mm <input type="checkbox"/> INCH <input checked="" type="checkbox"/> mm ONLY		SHT REV	
FINISH 仕上り SEE NOTE 2. ON SHEET 1 OF 3.		WIRE RANGE 適用電線範囲		INS. RANGE 被覆外径		ANGLE 角度		DRAWN BY & DATE K.TOYODA '04/03/26		CHECKED BY & DATE K.ASAKAWA '04/03/26		APPROVED BY & DATE S.TCHIKAWA '04/03/26		CAD FILENAME SD-500254-005.S02		TITLE: HDMI RIGHT ANGLE HEADER ASS'Y (19PIN) -LEAD FREE-		MATERIAL NO. SEE TABLE		DRAWING NO. SD-500254-005		SHEET NO. 2 OF 3			
THIS DRAWING CONTAINS INFORMATION THAT IS PROPRIETARY TO MOLEX INCORPORATED AND SHOULD NOT BE USED WITHOUT WRITTEN PERMISSION.																									

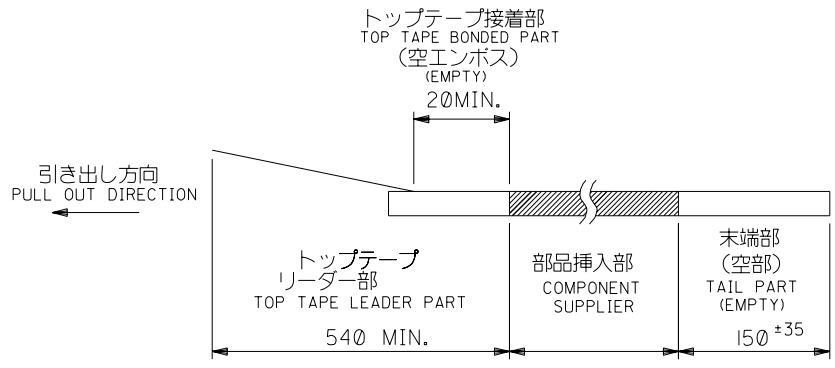
DWG. NO. SD-500254-005

エンボス梱包
EMBOSS PACKAGE

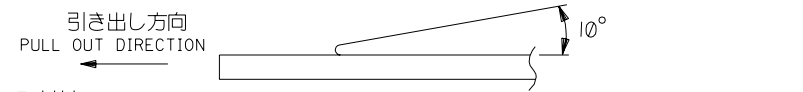


NOTE

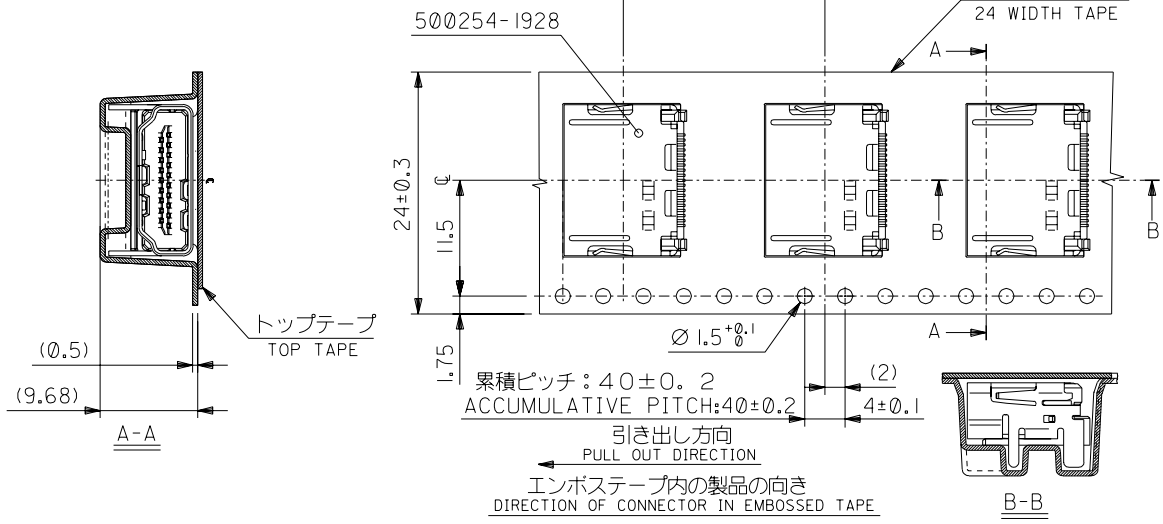
- 4. 梱包数量: 500 個/リール
NUMBER OF CONNECTORS: 500 PCS/REEL
- 5. リードテープ長さ
LEAD TAPE LENGTH



- 6. トップテープの剥離強度: 0.1 ~ 1.3 N (10.2 ~ 132.6gf)
(剥離方向は下図参照) キャリアテープ幅: 24mm
CARRIER TAPE WIDTH
PEEL-OFF FORCE OF TOP TAPE: 0.1~1.3 N (10.2~132.6gf)
(PEELING DIRECTION AS SHOWN IN FOLLOWING FIG.)
尚、本規格値は、出荷時に適用。
THIS REQUIREMENT SHOULD BE APPLIED AT SHIPMENT
(但し、輸送時に剥離が発生しない事。)
(PEEL OFF SHOULD NOT BE ALLOWED, DURING TRANSPORTATION)



- 7. 材料
MATERIAL
キャリアテープ: ポリプロピレン
CARRIER TAPE: POLYPROPYLENE
トップテープ: ポリエステル, ポリエチレン
TOP TAPE: POLYESTER, POLYETHYLENE
リール: ポリスチレン
REEL: POLYSTYRENE



EC NO. DRWN: CHK: APPR:	EC NO. DRWN: CHK: APPR:	EC NO. DRWN: CHK: APPR:	EC NO. DRWN: CHK: APPR:	SEE SHEET 1 OF 3
			A	0

DESCRIPTION	MATERIAL 材料	GENERAL TOLERANCES: (UNLESS SPECIFIED) 一般公差
	SEE NOTES 7	10 UNDER 未満 ±0.2
		10 OVER 以上 30 UNDER 未満 ±0.25
		30 OVER 以上 ±0.3
WIRE RANGE 適用電線範囲	—	ANGLE 角度 ±3°
INS. RANGE 被覆外径	—	

SCALE	DESIGN UNITS	THIRD ANGLE PROJECTION
2 - 1	mm INCH	<input checked="" type="checkbox"/> mm ONLY
DRAWN BY & DATE	CHECKED BY & DATE	APPROVED BY & DATE
K.TOYODA '04/03/26	K.ASAKAWA '04/03/26	S.TCHIKAWA '04/03/26
CAD FILENAME	MATERIAL NO.	DRAWING NO.
SD-500254-005.S02	SEE CHART	SD-500254-005

500254-1927	19
ENG No.	CURCUITS
DIMENSIONS:	SHT REV
<input type="checkbox"/> mm <input type="checkbox"/> INCH	<input type="checkbox"/> mm ONLY
TITLE: HDMI RIGHT ANGLE HEADER ASS'Y (19PIN) -LEAD FREE-	
MOLEX INCORPORATED	
MATERIAL NO.	DRAWING NO.
SEE CHART	SD-500254-005
SHEET NO.	3 OF 3

DO NOT SCALE DRAWING