

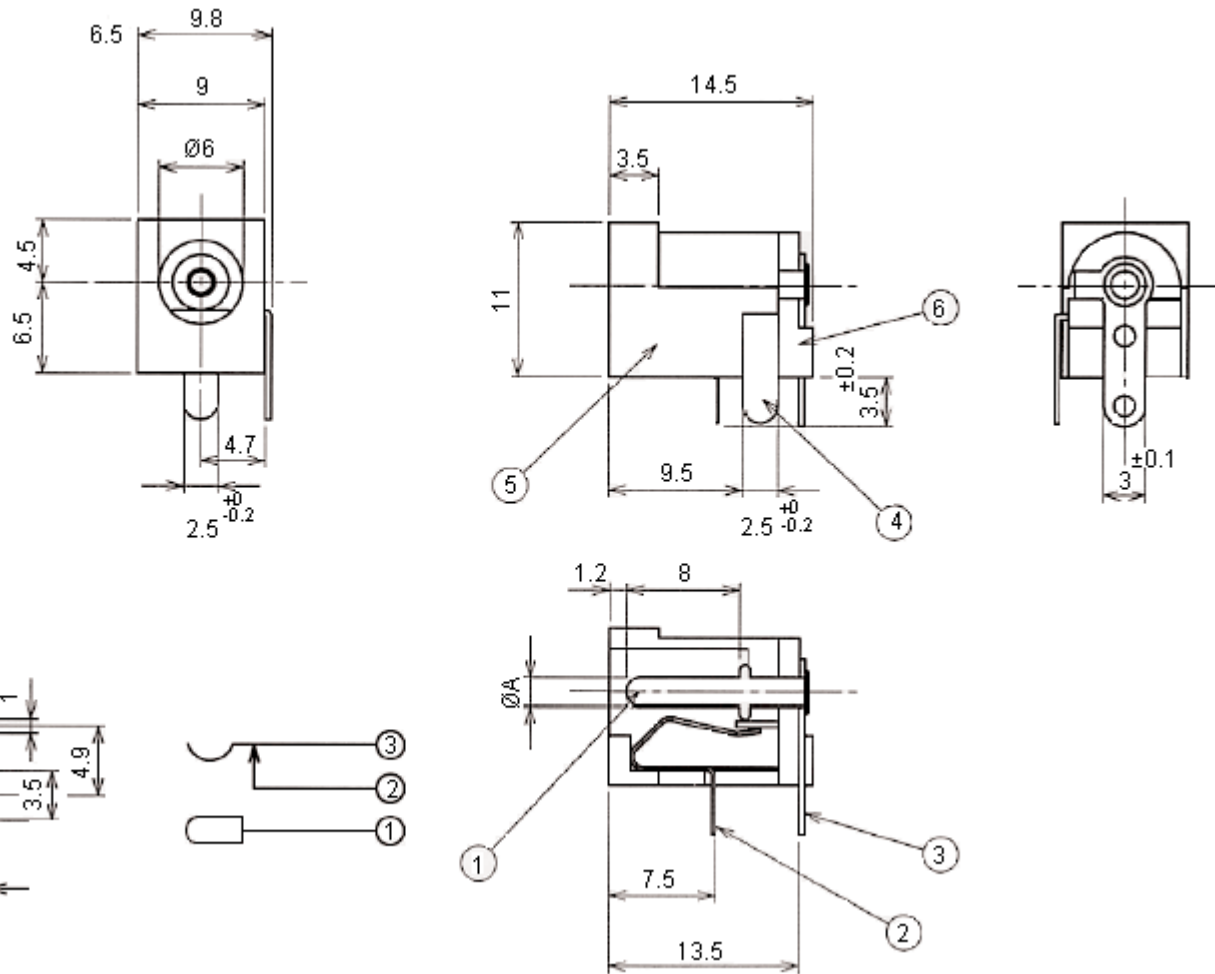


PART NO.

MJ-179PH

REVISIONS

ECN #	REV	DESCRIPTION	DRAWN	DATE	CHECKD	DATE	APPRVD	DATE
-	A	RELEASED	Naveen	5/10/10	Jagan	5/10/10	Farnell	19/10/10



Dimensions: Millimetres

This data sheet and its contents (the "Information") belong to the Premier Farnell Group (the "Group") or are licensed to it. No licence is granted for the use of it other than for information purposes in connection with the products to which it relates. No licence of any intellectual property rights is granted. The Information is subject to change without notice and replaces all data sheets previously supplied. The Information supplied is believed to be accurate but the Group assumes no responsibility for its accuracy or completeness, any error in or omission from it or for any use made of it. Users of this data sheet should check for themselves the Information and the suitability of the products for their purpose and not make any assumptions based on information included or omitted. Liability for loss or damage resulting from any reliance on the Information or use of it (including liability resulting from negligence or where the Group was aware of the possibility of such loss or damage arising) is excluded. This will not operate to limit or restrict the Group's liability for death or personal injury resulting from its negligence. SPC MULTICOMP is the registered trademark of the Group. © Premier Farnell plc 2010.

TOLERANCES:
UNLESS OTHERWISE SPECIFIED, DIMENSIONS ARE FOR REFERENCE PURPOSES ONLY.

DRAWN BY:	DATE:
Naveen	05/10/10
CHECKED BY:	DATE:
Jagan	05/10/10
APPROVED BY:	DATE:
Farnell	19/10/10

DRAWING TITLE:			
Socket - Low Voltage			
SIZE	DWG NO.	ELECTRONIC FILE	REV
A	M10002479	MJ-179PH_DWG	A
SCALE: NTS		U.O.M.: mm	SHEET: 1 OF 2



PART NO.

MJ-179PH

REVISIONS

ECN #	REV	DESCRIPTION	DRAWN	DATE	CHECKD	DATE	APPRVD	DATE
-	A	RELEASED	Naveen	5/10/10	Jagan	5/10/10	Farnell	19/10/10

Specifications:

Tolerance : ±0.3

Material and finish

Item	Part Name	Material	Quantity	Finish	Note
1	Centre pin	Brass	1	Ni	-
2	Terminal (S)	FAB t =0.25		-	
3	Terminal (J)	Brass t = 0.4		Sn	-
4	Terminal (B)	Brass t = 0.4		-	
5	Housing	PBT G15%		-	UL 94V-0
6	Insulator	PBT G15%		-	

Specification Table

Description	ØA	Part Number
Socket, Low Voltage	1.95	MJ-179PH

<http://www.farnell.com>

<http://www.newark.com>

<http://www.cpc.co.uk>

This data sheet and its contents (the "Information") belong to the Premier Farnell Group (the "Group") or are licensed to it. No licence is granted for the use of it other than for information purposes in connection with the products to which it relates. No licence of any intellectual property rights is granted. The Information is subject to change without notice and replaces all data sheets previously supplied. The Information supplied is believed to be accurate but the Group assumes no responsibility for its accuracy or completeness, any error in or omission from it or for any use made of it. Users of this data sheet should check for themselves the Information and the suitability of the products for their purpose and not make any assumptions based on information included or omitted. Liability for loss or damage resulting from any reliance on the Information or use of it (including liability resulting from negligence or where the Group was aware of the possibility of such loss or damage arising) is excluded. This will not operate to limit or restrict the Group's liability for death or personal injury resulting from its negligence. SPC MULTICOMP is the registered trademark of the Group. © Premier Farnell plc 2010.

**TOLERANCES:
UNLESS OTHERWISE
SPECIFIED,
DIMENSIONS ARE
FOR REFERENCE
PURPOSES ONLY.**

DRAWN BY:	DATE:
Naveen	05/10/10
CHECKED BY:	DATE:
Jagan	05/10/10
APPROVED BY:	DATE:
Farnell	19/10/10

DRAWING TITLE:			
Socket - Low Voltage			
SIZE	DWG NO.	ELECTRONIC FILE	REV
A	M10002479	MJ-179PH_DWG	A
SCALE: NTS		U.O.M.: mm	SHEET: 2 OF 2