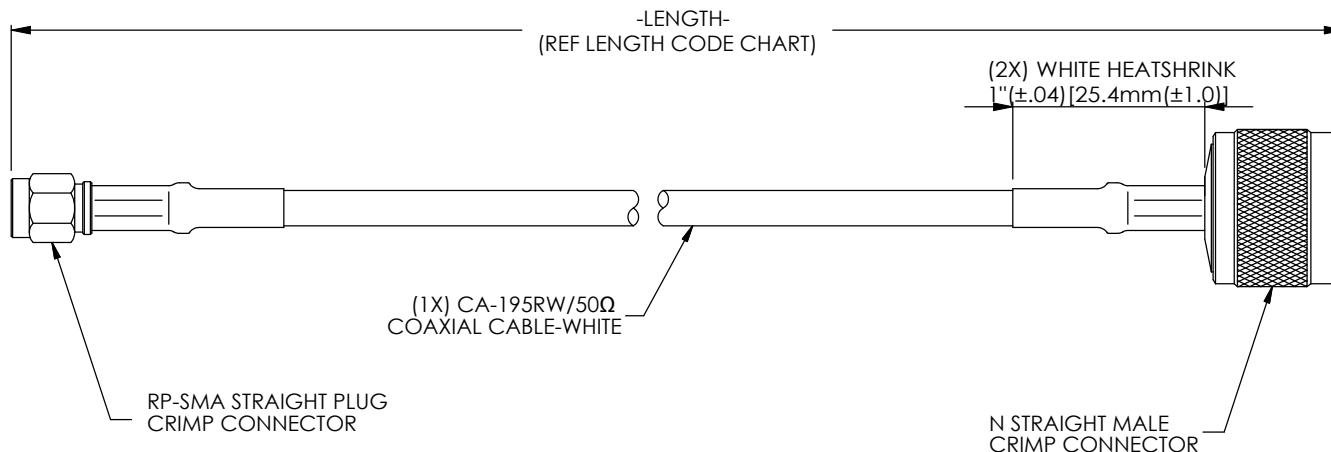


THE INFORMATION CONTAINED IN THIS DRAWING IS THE SOLE PROPERTY OF L-COM, INC. ANY REPRODUCTION IN PART OR WHOLE WITHOUT THE WRITTEN PERMISSION OF L-COM, INC. IS PROHIBITED.

REVISIONS			
REV	DESCRIPTION	DATE	APPROVED
A	Initial Release	2/11/10	B.Puchaski



LENGTH CODE CHART		
CABLE# & LENGTH	LENGTH SYMBOL	EXAMPLES OF PART# USED
<u>CA-RSPNMBXXX</u>	WHERE XXX = LENGTH IN FEET	CA-RSPNMB010 (10 FEET)
<u>CA-RSPNMBNXX</u>	WHERE NXX = LENGTH IN INCHES	CA-RSPNMBN16 (16 INCHES)
<u>CA-RSPNMBMXX</u>	WHERE MXX = LENGTH IN METERS	CA-RSPNMBM07 (7 METERS)
<u>CA-RSPNMBXMX</u>	WHERE XMX = LENGTH IN DECIMEL METERS	CA-RSPNMB3M5 (3.5 METERS)

NOTES:

1. CABLE ASSEMBLY SHALL BE TESTED FOR CONTINUITY
2. CABLE ASSEMBLY SHALL RECIEVE INSERTION LOSS TEST#TP-00027
3. CABLE ASSEMBLY SHALL WITHSTAND PULL TEST OF 40lbs WITHOUT ANY SEPERATION OR ELECTRICAL FAILURE
4. CABLE SHALL BE RoHS COMPLIANT
5. CABLE ASSEMBLY SHALL BE INDIVIDUALLY PACKAGED IN ACCORDANCE WITH L-COM SPECIFICATION PS-0031
6. CENTER PIN OF CONNECTORS TO BE SOLDERED OR CRIMPED ONTO CABLE INNER CONDUCTOR

UNLESS OTHERWISE SPECIFIED, DIMENSIONS ARE IN INCHES [mm] OVERALL CABLE LENGTH TOLERANCE: ≤ 12 [305] = +1 [25] / -0 >12 [305] ≤ 60 [1524] = +2 [51] / -0 >60 [1524] ≤ 120 [3048] = +4 [102] / -0 >120 [3048] ≤ 300 [7620] = +6 [152] / -0 >300 [7620] = +3% / -0% ALL OTHER DIMENSIONAL TOLERANCES: .X = ± .2 .XX = ± .02 .XXX = ± .005	APPROVALS	DATE		45 BEECHWOOD DRIVE NORTH ANDOVER, MA 01845		
	DRAWN BY B.Puchaski	02/11/10				
	CHECKED BY M.Audas	02/11/10	CATEGORY	COAXIAL		
	APPROVED BY M.Audas	02/11/10	PRODUCT DESCRIPTION	Fabrication: White CA-195RW Series RP-SMA Plug To N-Male Assembly w/Heatshrink		
PROJECTION 	CONFIGURATION DETAILS OF UNDIMENSIONED FEATURES MAY VARY	COLOR VARIATIONS MAY OCCUR	SIZE A	FSCM NO. 43321	DWG. NO. CA-RSPNMB	REV. A
SCALE: NONE			CAD FILE: CA-RSPNMB.SLDDRW		SHEET 1 OF 1	