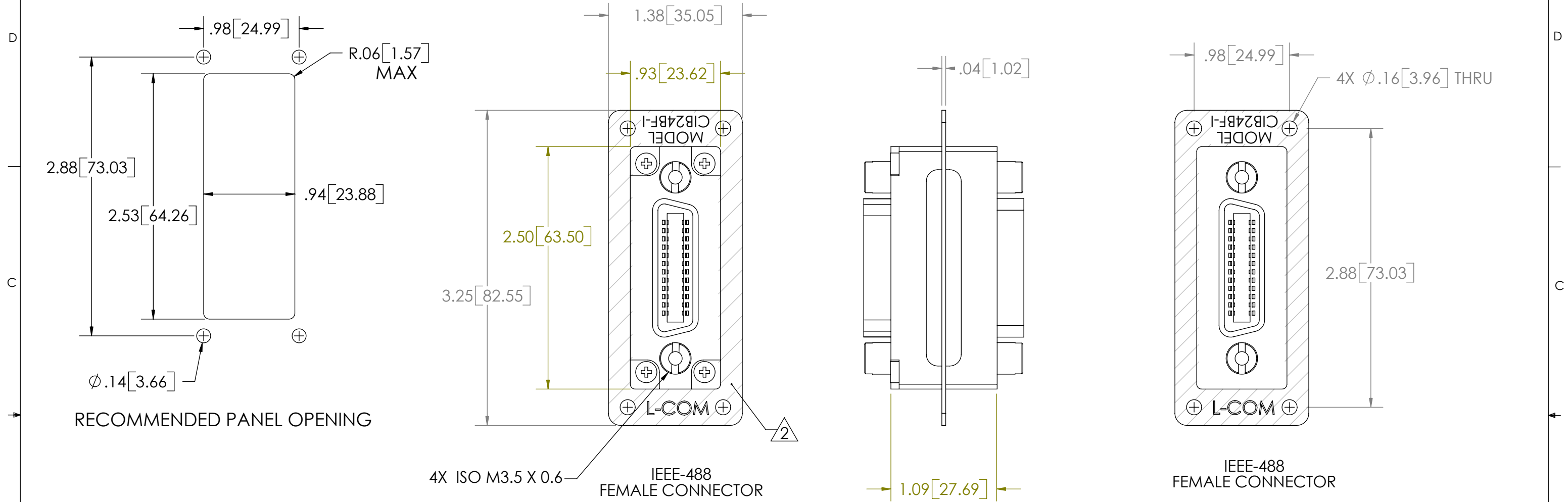


THE INFORMATION CONTAINED IN THIS DRAWING IS THE SOLE PROPERTY OF L-COM, INC. ANY REPRODUCTIONS IN PART OR WHOLE WITHOUT THE WRITTEN PERMISSION OF L-COM, INC. IS PROHIBITED.

**RoHS Compliant** ✓

REVISIONS			
REV	DESCRIPTION	DATE	APPROVED
A	RELEASED TO PRODUCTION	8/27/01	R. CARRICK
B	ECN#2731 - ADDED ROHS STAMP	10/25/07	D.GRIFFIN



**NOTES:**

**MATERIAL:**  
 HOUSING; CAST ALUMINUM. INSULATOR; GLASS FILLED PBT (BLUE)  
 U.L. 94V-0 FLAMMABILITY RATING.  
 MOUNTING FLANGE: FIBER GLASS FILLED THERMOSETTING RESIN.

**HOUSING:**  
 FINISH: HOUSING; NICKEL PLATED. CONTACTS; 15 MICRO INCHES GOLD PLATE.

**MISCELLANEOUS:**  
 WIRING: STRAIGHT THROUGH.  
 TWO DUST CAPS PROVIDED WITH ADAPTOR.

DIMENSIONS ARE IN INCHES [mm]  
 UNLESS OTHERWISE SPECIFIED,  
 TOLERANCES TO BE:  
 .X ±.1 [2.5] ANGLES ±2°  
 .XX ±.05 [1.3]  
 .XXX ±.005 [0.13]  
 OVERALL CABLE LENGTH TOL:  
 ≤ 60 [1524] +3 [76.2] / -0  
 > 60 [1524] +3% / -0%

APPROVALS	DATE
DRAWN BY RON CARRICK	8/17/2001
CHECKED BY DOUG PARHAM	8/27/2001
APPROVED BY C. MCCORMICK	8/27/2001

<b>L-com</b> CONNECTIVITY PRODUCTS		45 BEECHWOOD DRIVE NORTH ANDOVER, MA 01845	
CATEGORY		IEEE-488 GPIB	
PRODUCT DESCRIPTION GPIB BULKHEAD ADAPTER, INSULATED MTG, F/F			
SIZE	FSCM NO.	DWG. NO.	REV.
<b>B</b>	<b>43321</b>	CIB24BF-I	<b>B</b>
SCALE: 1:1		CAD FILE: CIB24BF-I.SLDDRW	SHEET 1 OF 1