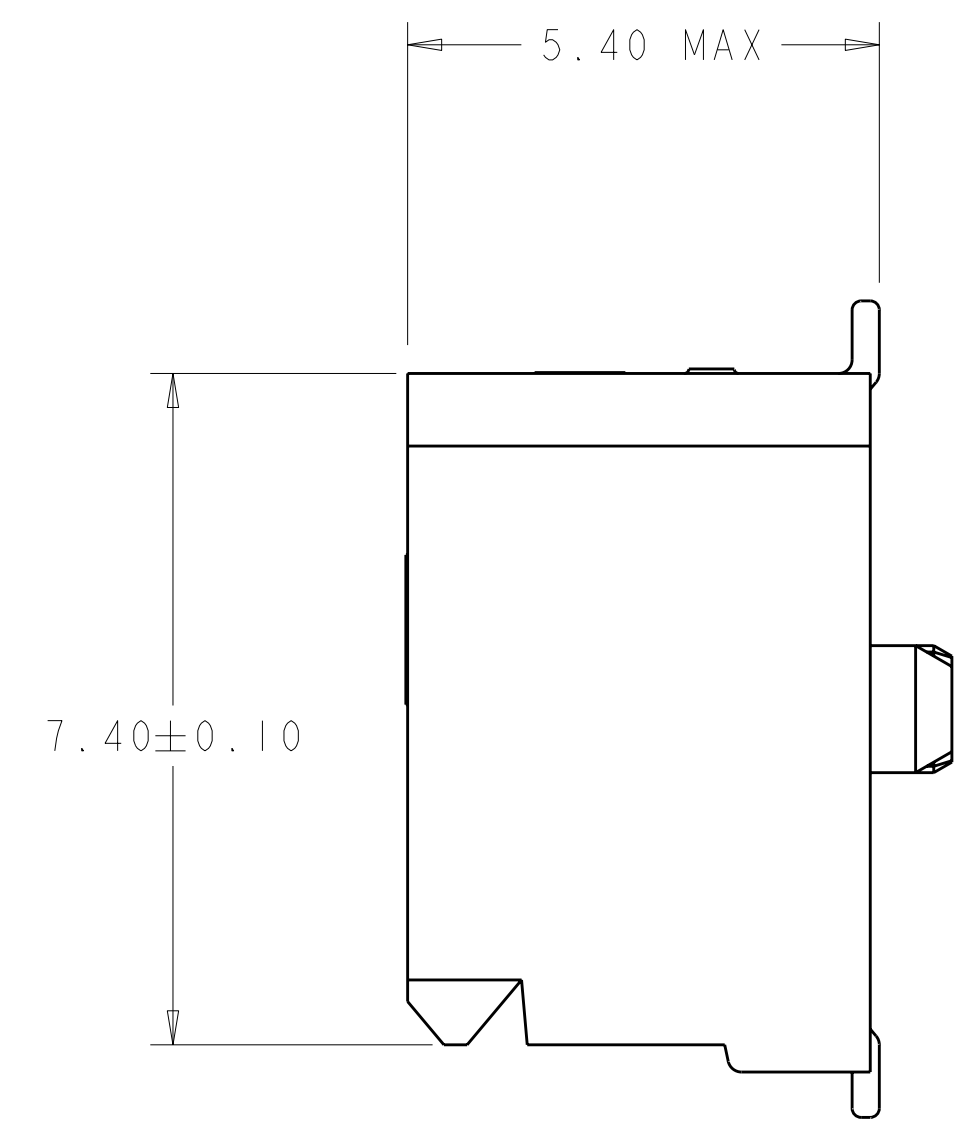
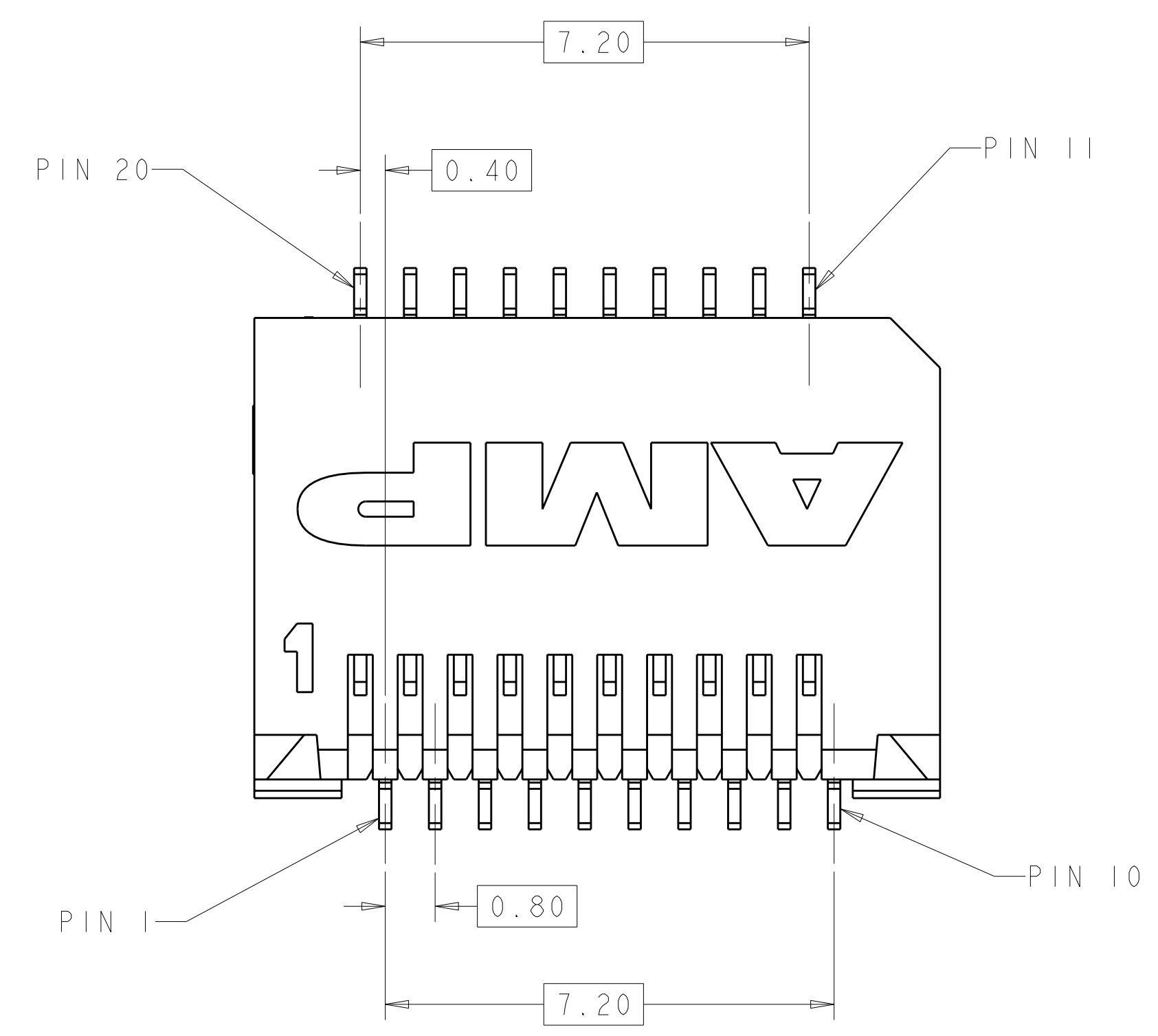
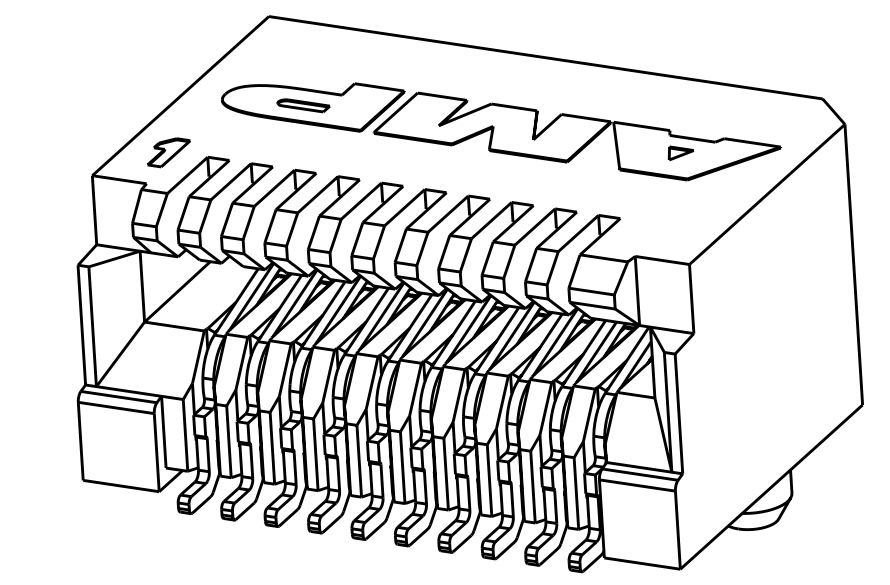


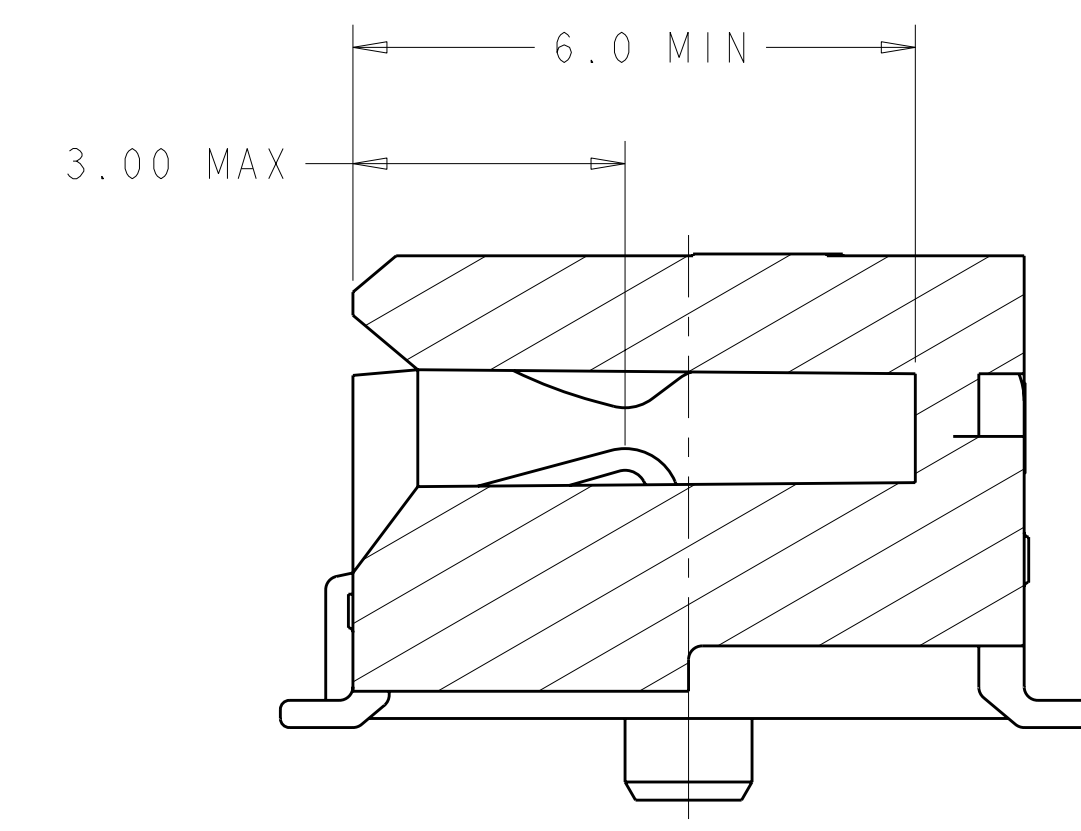
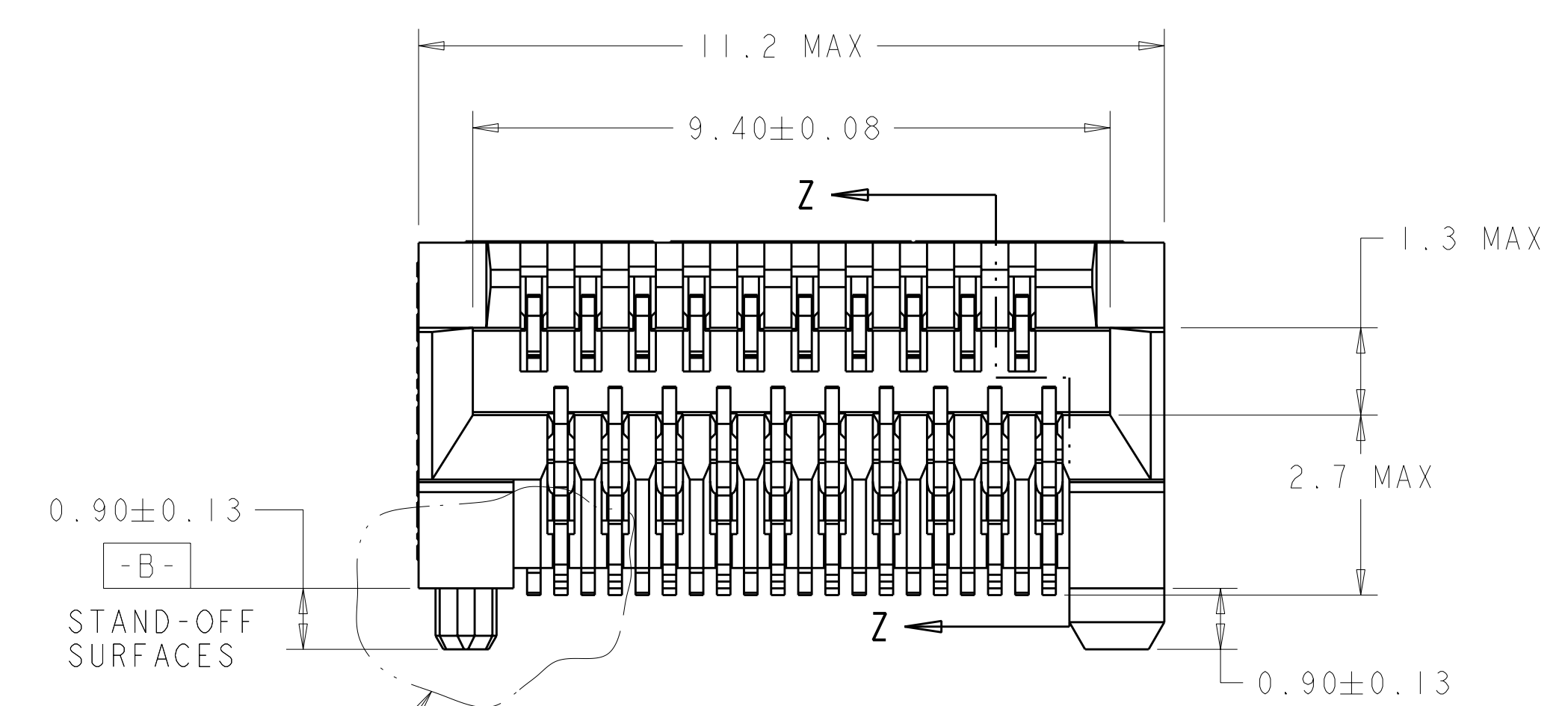
LOC	DIST	REV	DATE	BY	APPD
ES	00				
REVISIONS					
REV	DATE	DESCRIPTION	DATE	BY	APPD
D	23FEB06	REVISED PER EC 0513-0307-05	23FEB06	BM	SS
E	22FEB06	REVISED PER EC 0513-0220-05	22FEB06	BM	SS
F	28FEB06	REVISED PER ECR-06-004909	28FEB06	BM	SS
H	25OCT07	REVISED PER ECR-07-025522	25OCT07	LL	SY



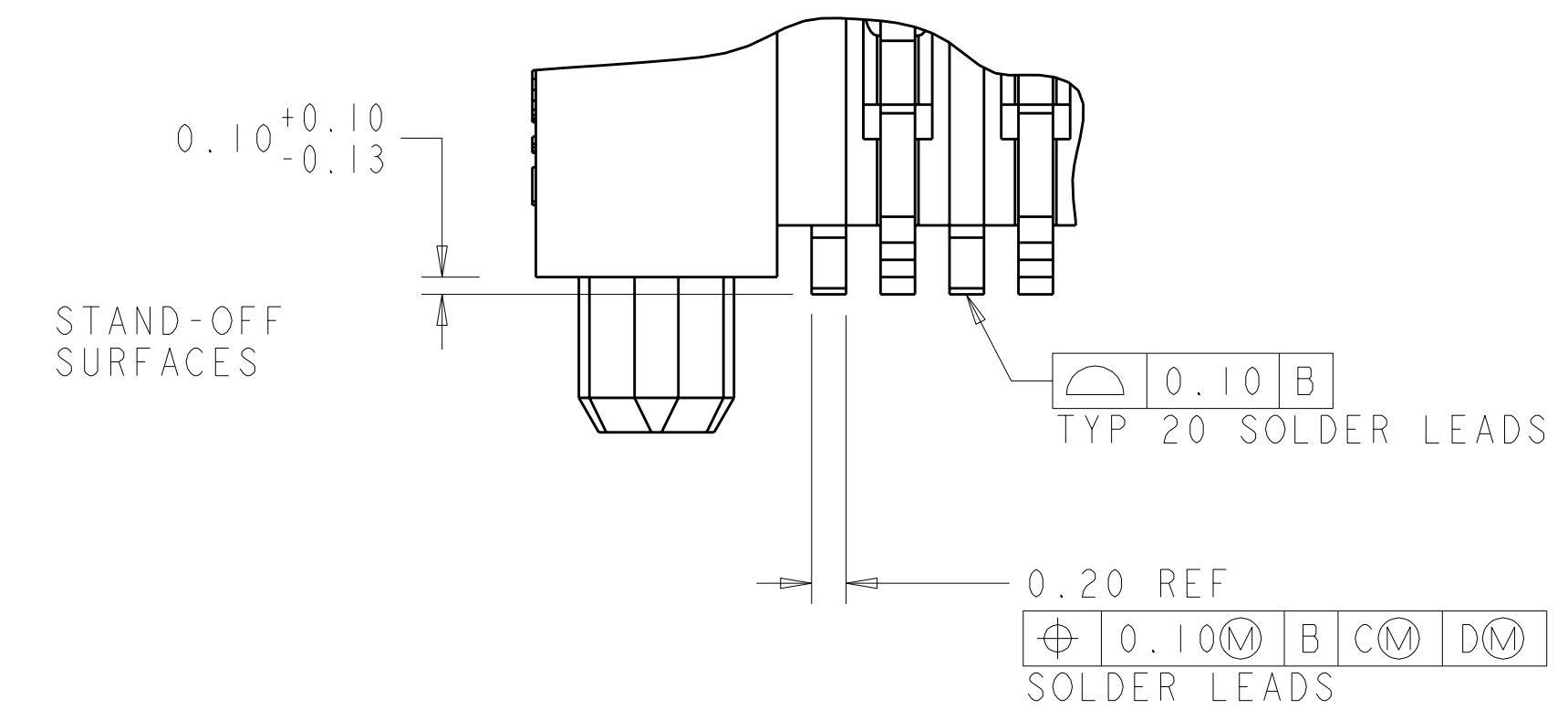
- PART COMPATABLE WITH SFP MSA. REFER TO THE SFP MSA FOR DIMENSIONS NOT SHOWN ON THIS PRINT.
- HOUSING: HIGH TEMPERATURE LCP, UL 94V-0 RATED, BLACK. CONTACT: PHOSPHOR BRONZE.
- CONTACTS: 0.00038 MIN GOLD IN CONTACT AREA, 0.00013 MIN GOLD ON SOLDER AREA, OVER 0.0038 MIN NICKEL UNDERPLATE ON ENTIRE CONTACT.
- PACKAGED 480 PIECES PER REEL.
- DATUMS AND BASIC DIMENSIONS TO BE ESTABLISHED BY CUSTOMER, SEE DRAWING 1367034 FOR LAYOUT WHEN USED WITH 1367034-1 BOTTOM CAGE (STANDARD SFP APPLICATION).
- CONTACTS: 0.00076 MIN GOLD IN CONTACT AREA, 0.00013 MIN GOLD ON SOLDER AREA, OVER 0.0038 MIN NICKEL UNDERPLATE ON ENTIRE CONTACT.



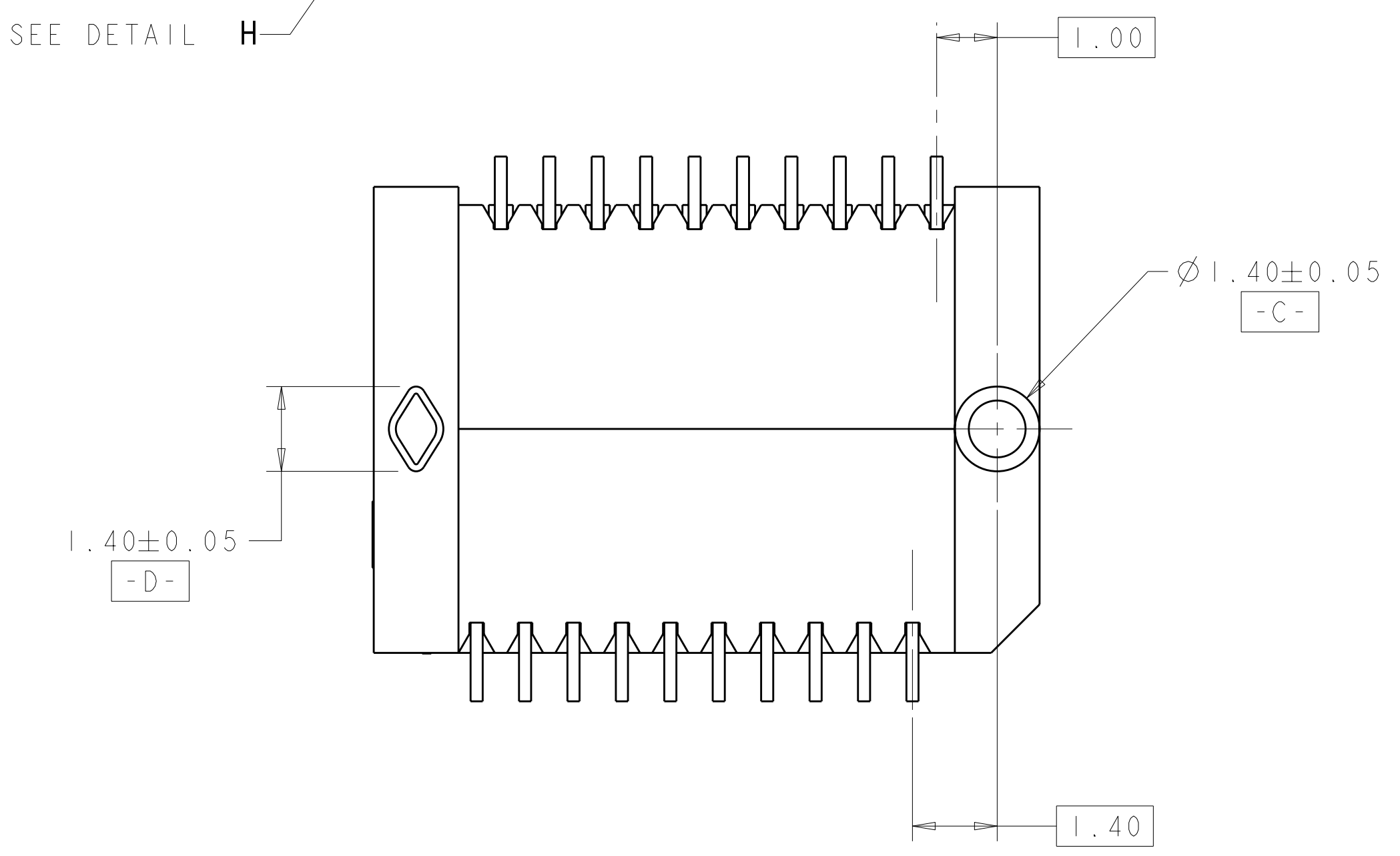
SCALE 8:1



SECTION Z-Z



DETAIL H
SCALE 25:1



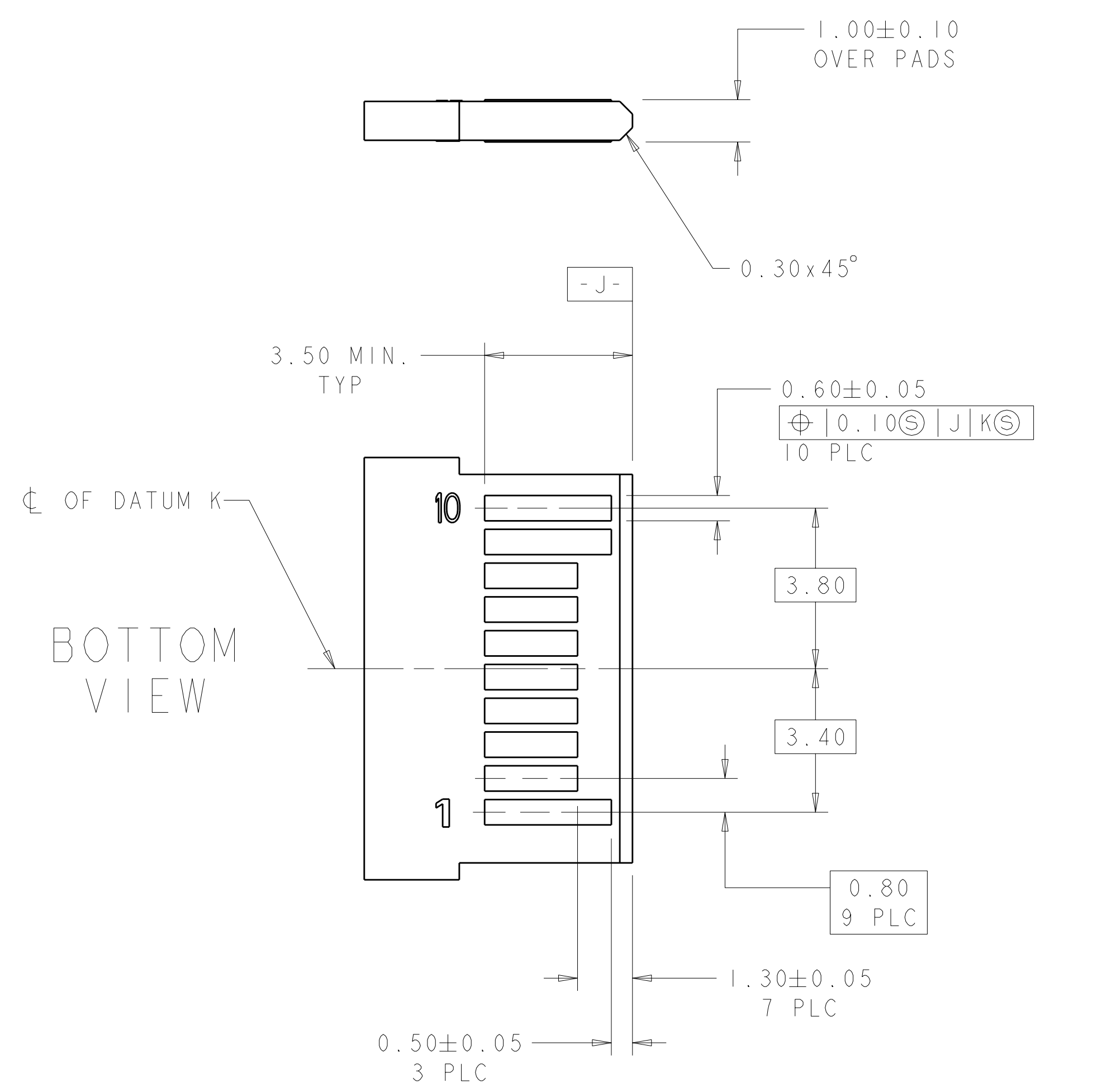
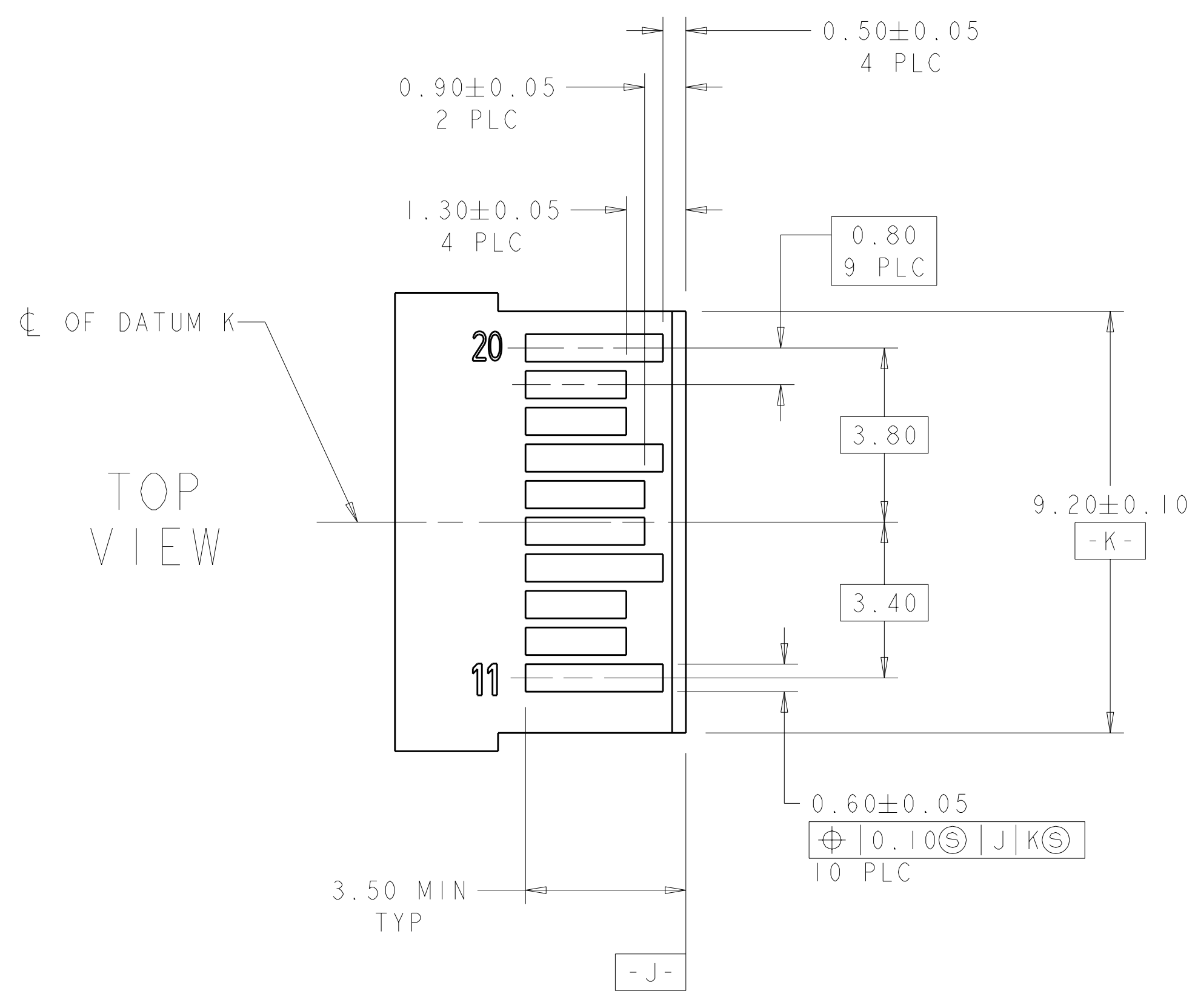
1.40 ± 0.05
-D-

SEE DETAIL H

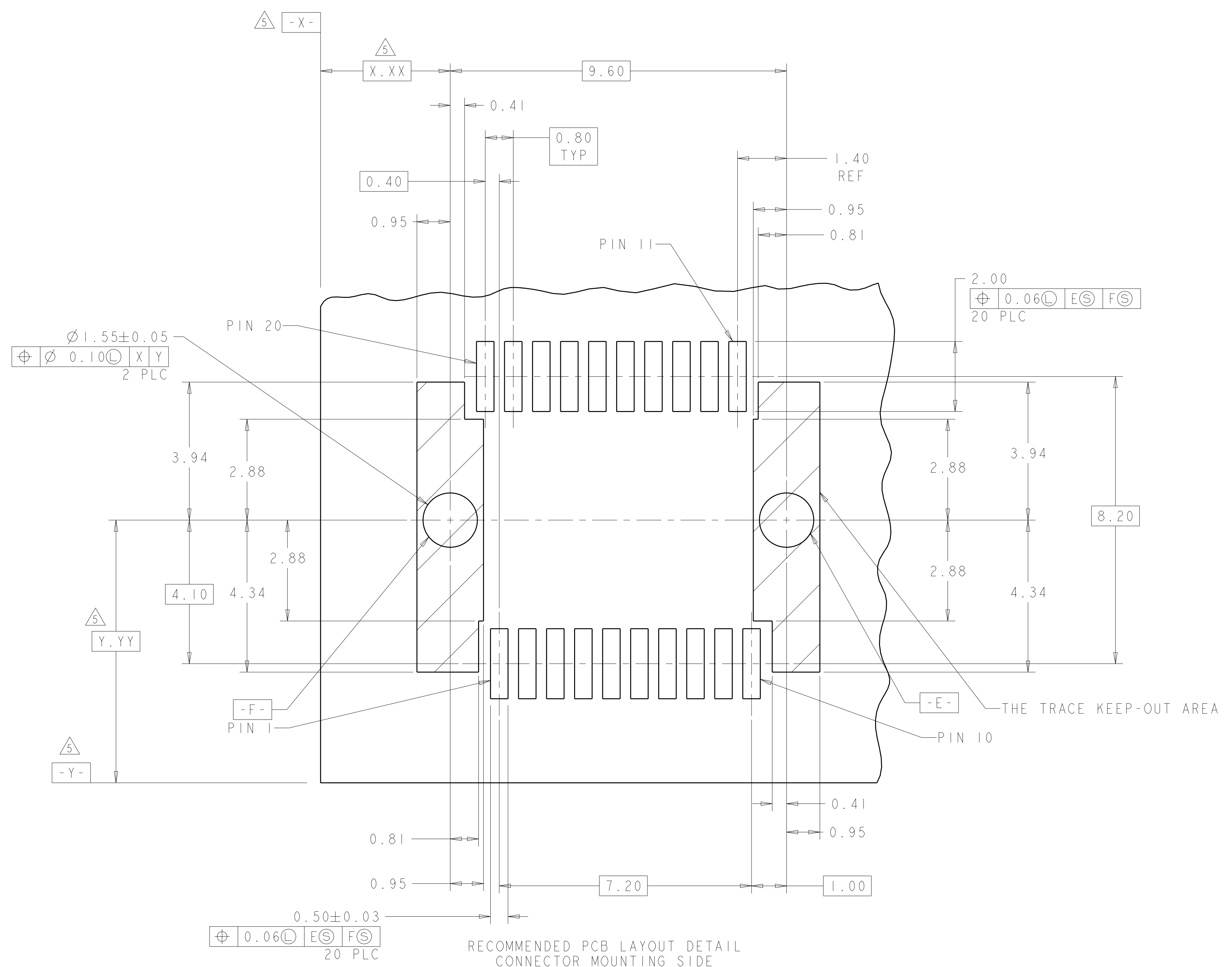
6	1367073-2
3	1367073-1
FINISH	PART NUMBER

DIMENSIONS: mm TOLERANCES UNLESS OTHERWISE SPECIFIED: 0 PLC ± 1 PLC ±0.10 2 PLC ± 3 PLC ± 4 PLC ± ANGLES ±		DWN P. KERLIN 01MAR2000 CHK E. BRIGHT 01MAR2000 APVD E. BRIGHT 01MAR2000		Tyco Electronics Corporation Shanghai, P.R.China. 200233	
MATERIAL: SEE TABLE		PRODUCT SPEC: 108-1949 APPLICATION SPEC: 114-13017		NAME: PT CONNECTOR ASSEMBLY, 20 POSITION, SFP, RTANG, 0.8MM SIZE: CAGE CODE DRAWING NO: A100779C=1367073 WEIGHT: CUSTOMER DRAWING	
FINISH: SEE TABLE		RESTRICTED TO:		SCALE: 12:1 SHEET 1 OF 2 REV H	

LOC	DIST	REV	DATE	BY	APPD
ES	00	1			
		2			



RECOMMENDED LAYOUT DETAIL
 MATING TRANSCEIVER PCB
 SCALE 10:1



RECOMMENDED PCB LAYOUT DETAIL
 CONNECTOR MOUNTING SIDE
 SCALE 14:1

DIMENSIONS:		TOLERANCES UNLESS OTHERWISE SPECIFIED:		MATERIAL:		FINISH:	
mm	9 PLC ±	±					
	1 PLC ±	±0.10					
	5 PLC ±	±					
	4 PLC ±	±					
	ANGLES	±					

DWN	P. KERLIN	01MAR2000	NAME	PT CONNECTOR ASSEMBLY, 20 POSITION, SFP, RTANG, 0.8MM
CHK	E. BRIGHT	01MAR2000	PRODUCT SPEC	108-1949
APPD	F. BRIGHT	01MAR2000	APPLICATION SPEC	114-13017
MATERIAL			SIZE	CAGE CODE
FINISH			DRAWING NO	RESTRICTED TO
			A100779C=1367073	
CUSTOMER DRAWING		SCALE	12:1	SHEET 2 OF 2
		REV	H	