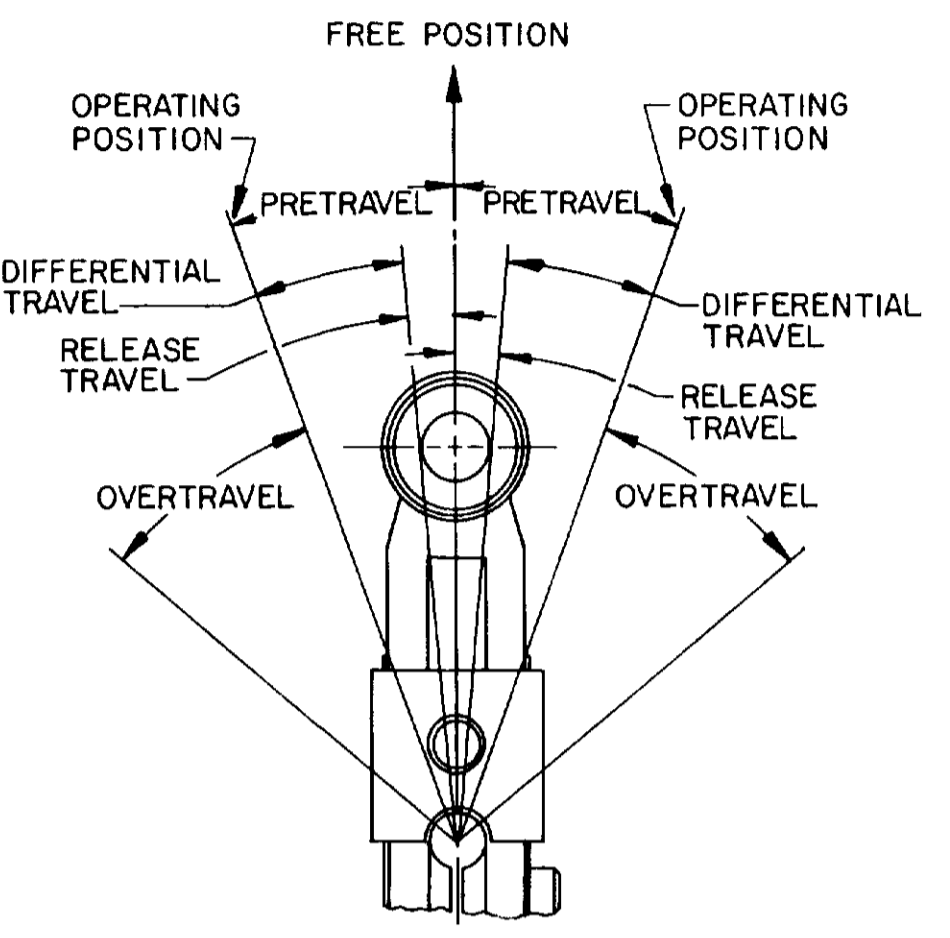
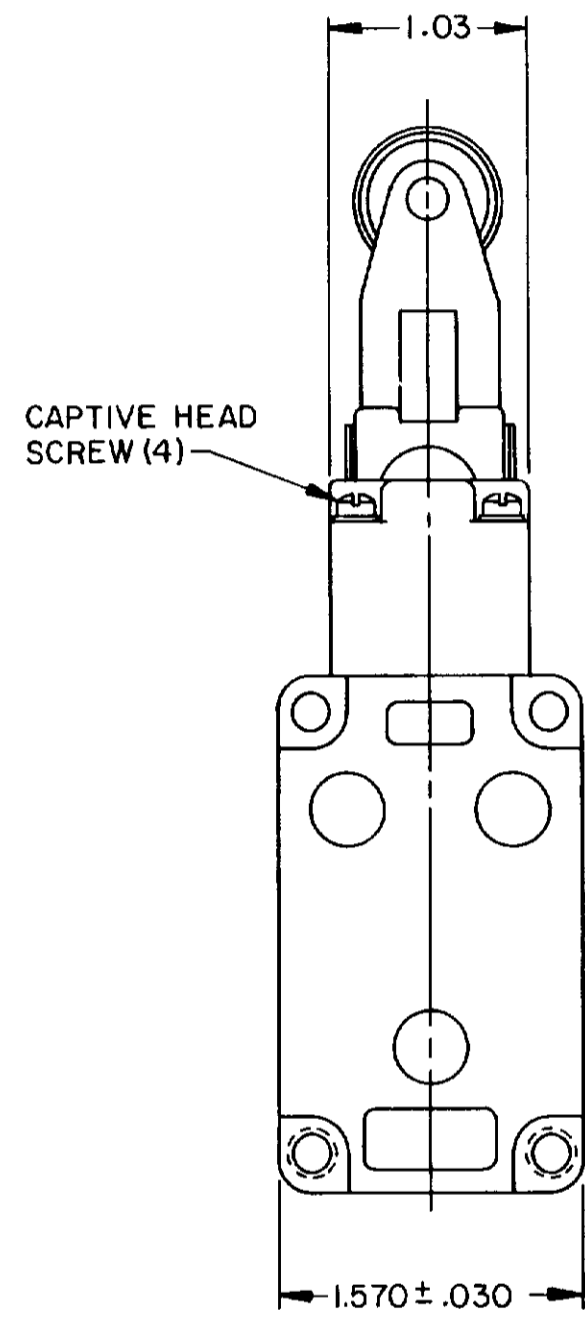
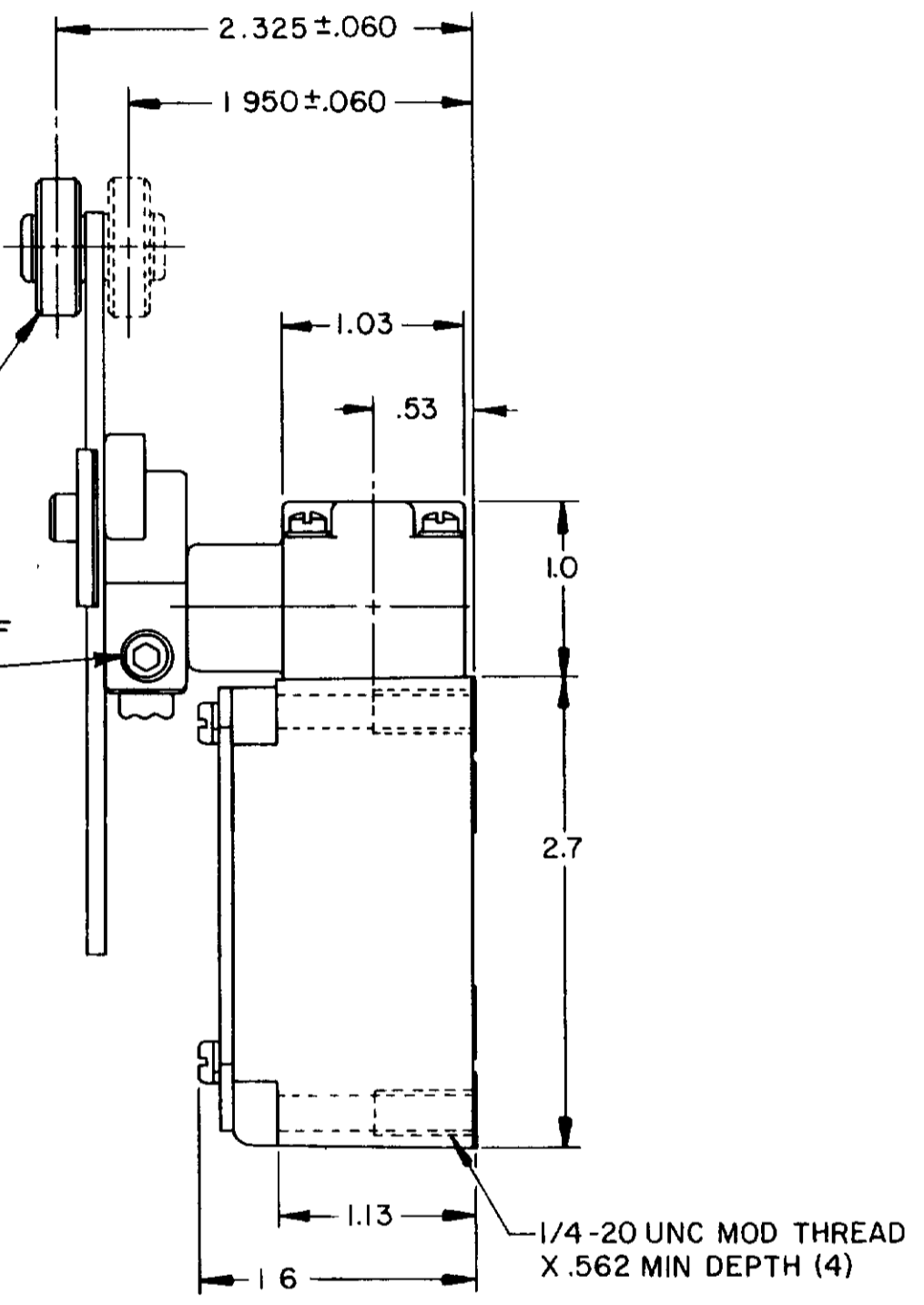
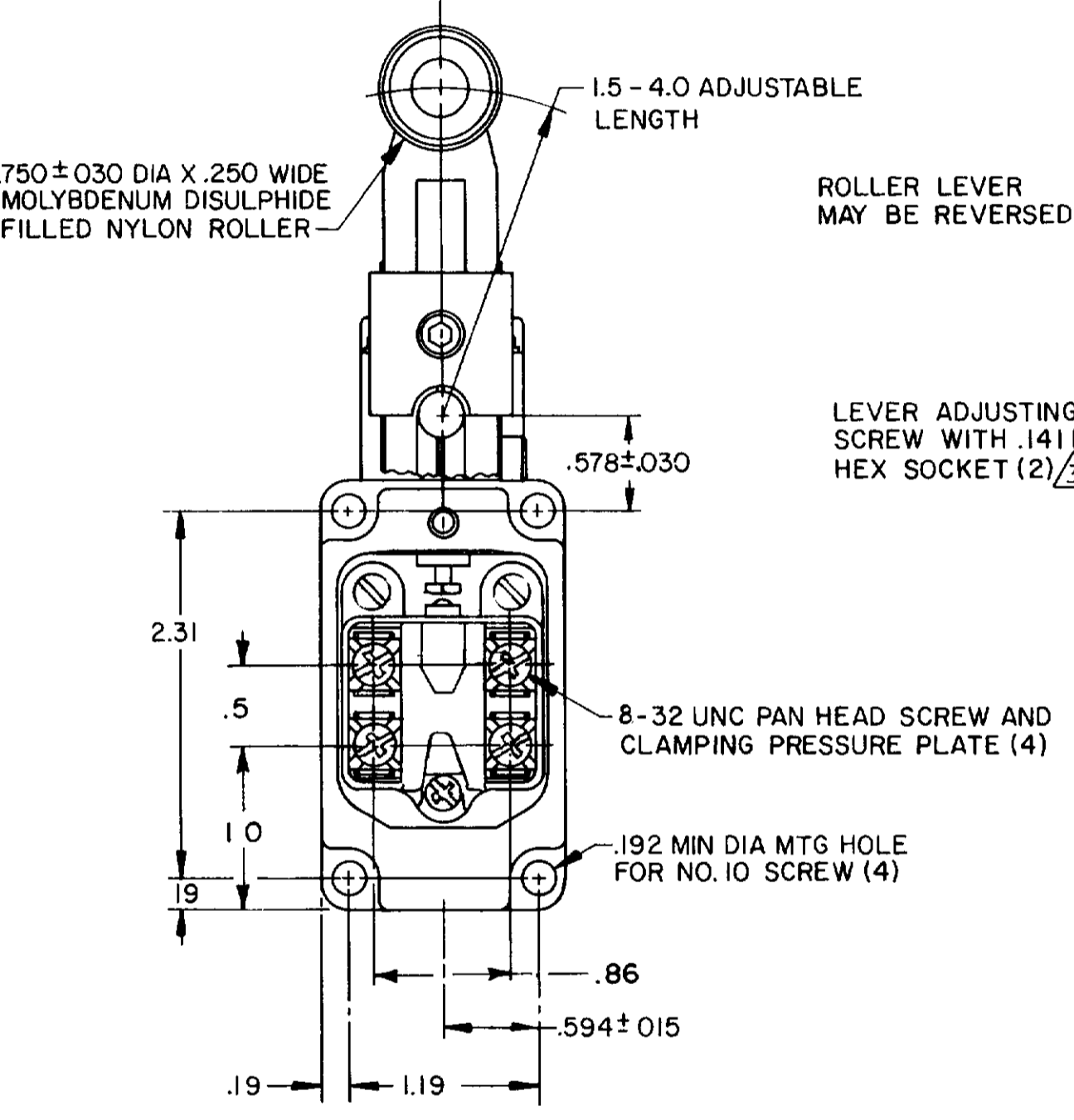
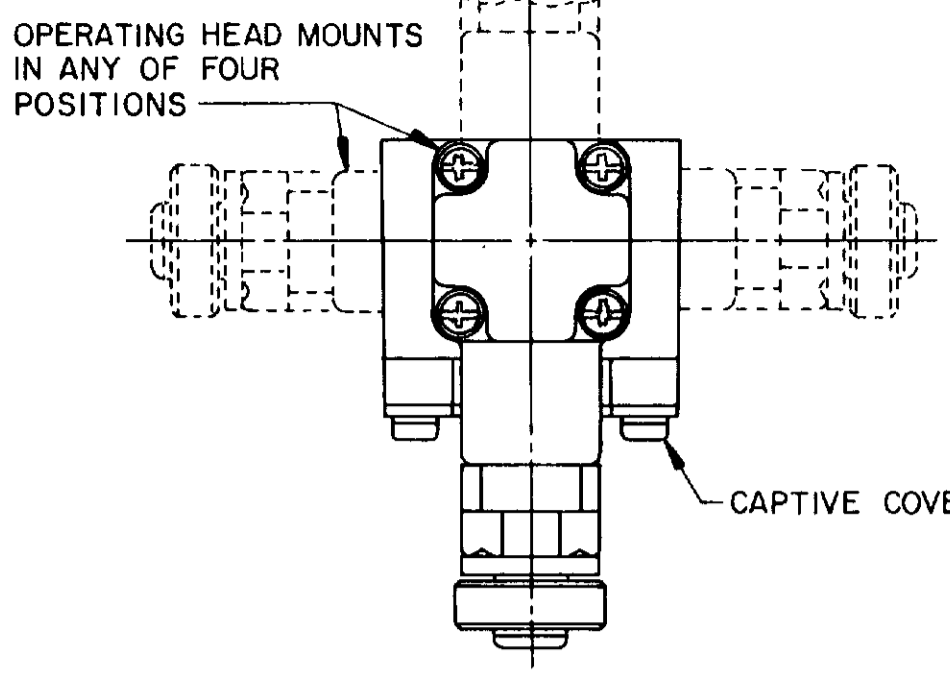
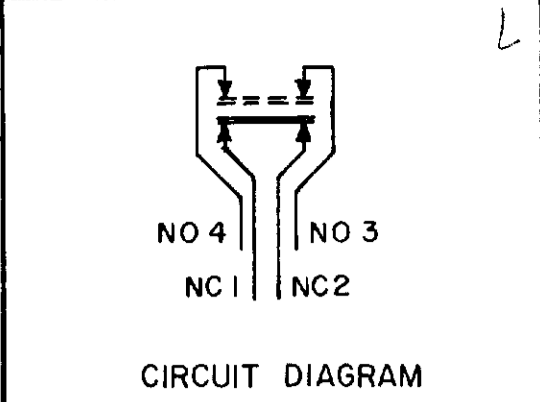
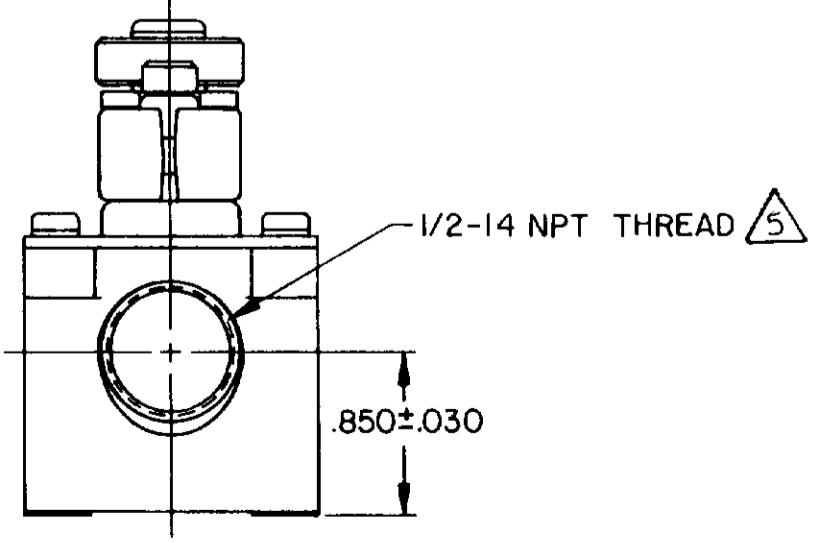


CHARACTERISTICS	
*OPERATING TORQUE-----	1.7 IN-LB MAX
*FULL OVERTRAVEL TORQUE-----	2.3 IN-LB MAX
*RELEASE TORQUE-----	.28 IN-LB MIN
PRETRAVEL-----	5° MAX
OVERTRAVEL-----	30° MIN
RELEASE TRAVEL-----	0°30' MIN
SWITCH-BASIC REPLACEMENT--2MN8	

ELECTRICAL DATA	
CONTACT ARRANGEMENT (SEE CIRCUIT DIAGRAM)	
10A-120,240,OR 480 VAC 1/4 HP-120 VAC, 1/2 HP-240 VAC PILOT DUTY 600 VAC MAX	



- NOTES
- 1 - SWITCH IS ASSEMBLED FOR ACTUATION IN BOTH DIRECTIONS BUT MAY BE ADJUSTED TO ACTUATE IN THE CLOCKWISE DIRECTION ONLY OR THE COUNTERCLOCKWISE DIRECTION ONLY
 - 2 - TO CONVERT SWITCH FOR ACTUATION IN EITHER THE CLOCKWISE OR COUNTERCLOCKWISE DIRECTION ONLY, REMOVE ACTUATOR HEAD AND ROTATE THE NOTCHED PLUNGER 90° TO THE RIGHT FOR CLOCKWISE ACTUATION OR 90° TO THE LEFT FOR COUNTERCLOCKWISE ACTUATION
- ⚠ ROLLER LEVER MAY BE LOCKED IN ANY POSITION THRU 360°
- ⚠ LEVER FURNISHED UNASSEMBLED IN UNIT PACKING BOX
- ⚠ SEAL TO BE FURNISHED BY USER



ILS59

REVISIONS

A	CO	80488
B	DEC	86
C	JUN	93
D	20DEC	93

FO-57863-C

TAD

12 DEC 86

THIS DRAWING COVERS A PROPRIETARY ITEM AND IS THE PROPERTY OF MICRO SWITCH A DIVISION OF HONEYWELL THIS DRAWING IS NOT TO BE COPIED OR USED WITHOUT THE APPROVAL OF MICRO SWITCH

MICRO SWITCH
a Honeywell Division

SWITCH - ENCLOSED

CATALOG LISTING
ILS59

FED. MFG. CODE 91929

THIRD ANGLE PROJECTION	
SCALE	FULL
DO NOT SCALE PRINT	
UNLESS OTHERWISE SPECIFIED TOLERANCES ARE	
ONE PLACE	(.0) ±.030
TWO PLACE	(.00) ±.015
THREE PLACE	(.000) ±.005
ANGLES	±
WEIGHT	