

MICRO SWITCH
a Honeywell Division

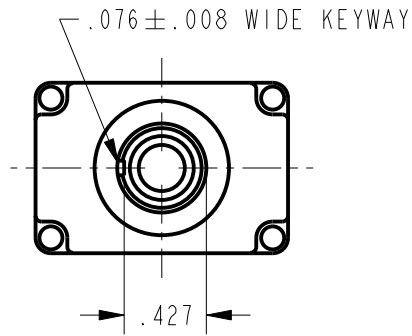
FED. MFG. CODE 91929

SWITCH - TOGGLE

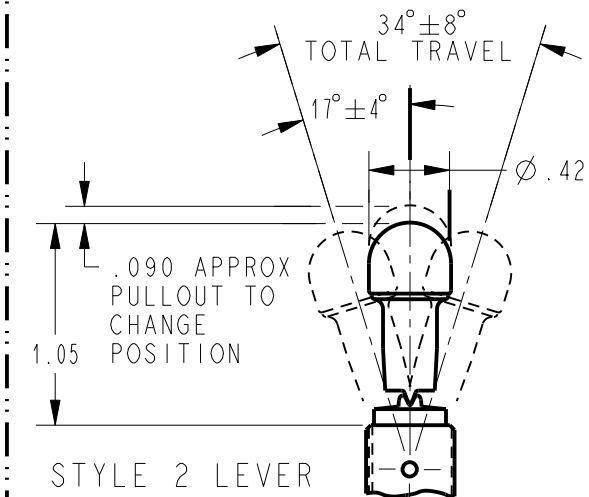
CATALOG LISTING
**2NT1-10 SERIES
CHART 1**

THIS DRAWING COVERS A PROPRIETARY ITEM AND IS THE PROPERTY OF MICRO SWITCH. A DIVISION OF HONEYWELL. THIS DRAWING IS NOT TO BE COPIED OR USED WITHOUT THE APPROVAL OF MICRO SWITCH

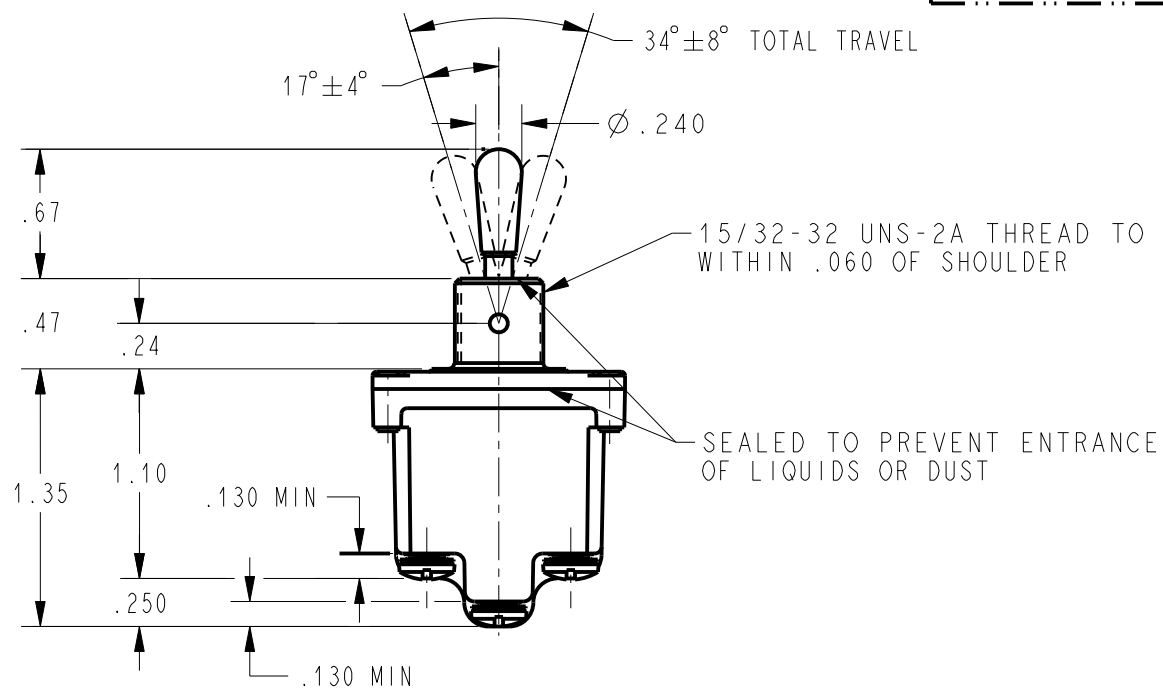
CATALOG LISTING	AVAILABLE LOCKING COMBINATIONS FOR CONFIGURATION SEE LETTERED DETAILS	STYLE NUMBER	ELECTRICAL RATING	
			L191	15A 125, <u>250</u> , 277 VAC 1/2HP 125 VAC 1HP <u>250</u> , 277 VAC 5A 125 VAC "L"
2NT1-10	NONE	1		
2NT1-10/5	A, B, D, E, F, G, H, J, K, L, M, N, P	2		



STYLE 1 LEVER

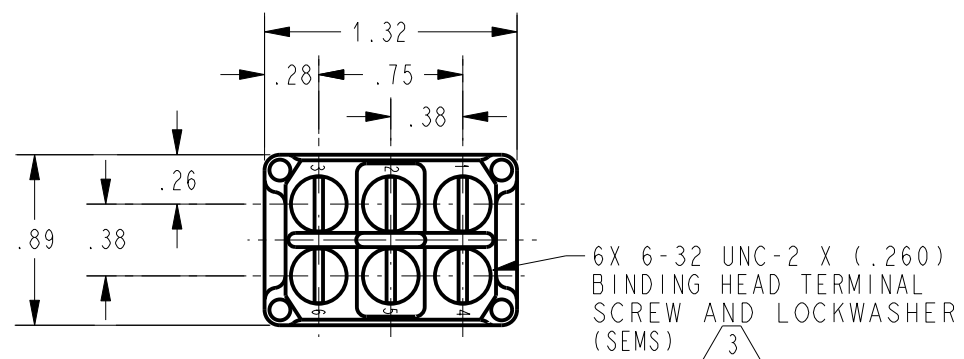
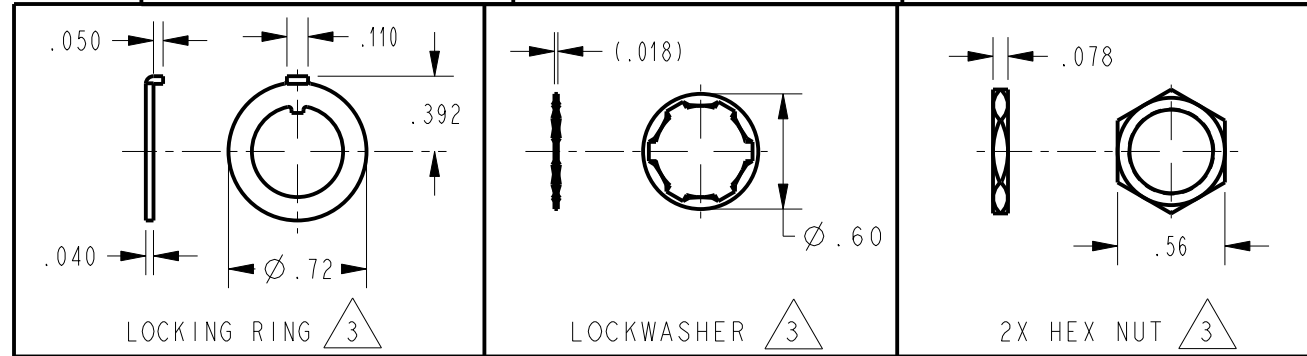


STYLE 2 LEVER



"A" 4 LOCKED IN THREE POSITIONS	"B" 4 LOCKED IN CENTER AND EXTREME POS. (KEYWAY SIDE)	"D" 4 LOCKED OUT OF CENTER POSITION	"E" 4 LOCKED IN CENTER POSITION	"F" 4 LOCKED IN EXTREME POS. (OPP. KEYWAY)	"G" 4 LOCKED IN EXTREME POS. (KEYWAY SIDE)
"H" 4 LOCKED OUT OF CENTER AND EXTREME POS. (KEYWAY SIDE)	"J" 4 LOCKED OUT OF CENTER AND EXTREME POS. (OPP. KEYWAY)	"K" 4 LOCKED IN CENTER AND EXTREME POS. (OPP. KEYWAY)	"L" 4 LOCKED OUT OF EXTREME POS. (KEYWAY SIDE)	"M" 4 LOCKED OUT OF AND INTO EXTREME POS. (OPP. KEYWAY)	"N" 4 LOCKED OUT OF EXTREME POS. (OPP. KEYWAY)

"P" 4 LOCKED OUT OF AND INTO EXTREME POS. (KEYWAY SIDE)	CIRCUIT MADE WITH TOGGLE LEVER IN		
	KEYWAY SIDE	CENTER	OPPOSITE KEYWAY
	MAINTAINED POSITION	MAINTAINED POSITION	MAINTAINED POSITION



- NOTES
- 1 - SWITCHES ARE CAPABLE OF WITHSTANDING A TEMPERATURE OF 160°F CONTINUOUSLY AT FULL RATED LOAD
 - 2 - MICRO SWITCH CAT. LIST. MARKED ON SIDE OF SWITCH
 - 3 - FURNISHED UNASSEMBLED
 - 4 - KEYWAY SHOWN ON LEFT SIDE
 - 5 - SUFFIX LETTER MUST BE ADDED FOR DESIRED TYPE OF TOGGLE LOCKING. SEE CHART FOR AVAILABLE LOCKING COMBINATIONS

THIRD ANGLE PROJECTION	
SCALE	FULL
DO NOT SCALE PRINT	
UNLESS OTHERWISE SPECIFIED TOLERANCES ARE	
ONE PLACE	(.0) ±.030
TWO PLACE	(.00) ±.015
THREE PLACE	(.000) ±.005
ANGLES	±
WEIGHT	.15 LB APPROX

2NT1-10 SERIES CHART 1
 CATALOG LISTING
 PAGE 1 OF 1
 RELEASE NO. PR-19848
 REPLACES
 CHECK
 REVISIONS
 A CO-94328
 S A V 23 NOV 99
 B 0002302
 C S L 10 DEC 03
 CHECK
 JAF 23 NOV 99
 CHECK
 S A V 23 NOV 99
 DRAWN
 PTC/CAD 2D
 ANSI Y14.5M-1982 APPLIES