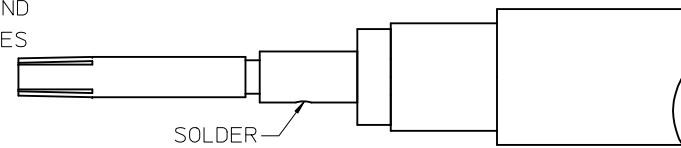
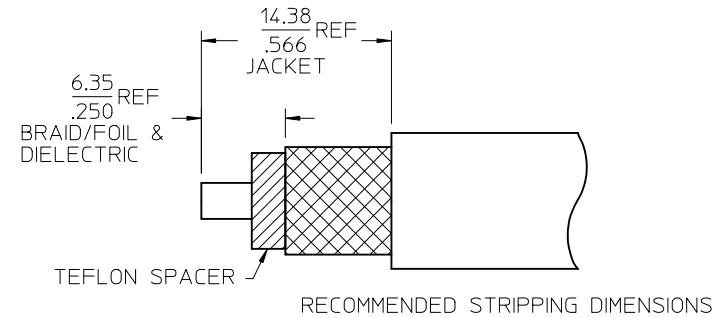
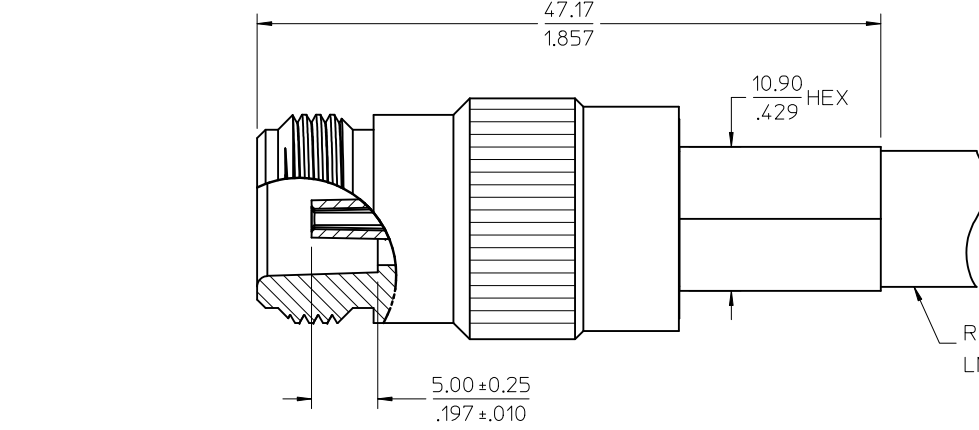
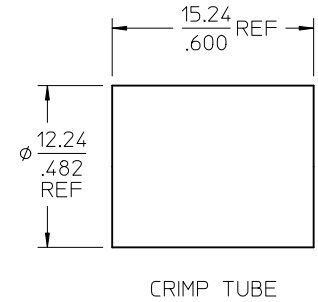
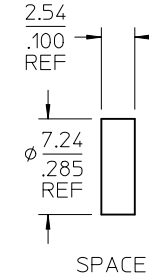
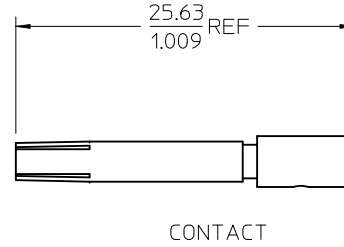
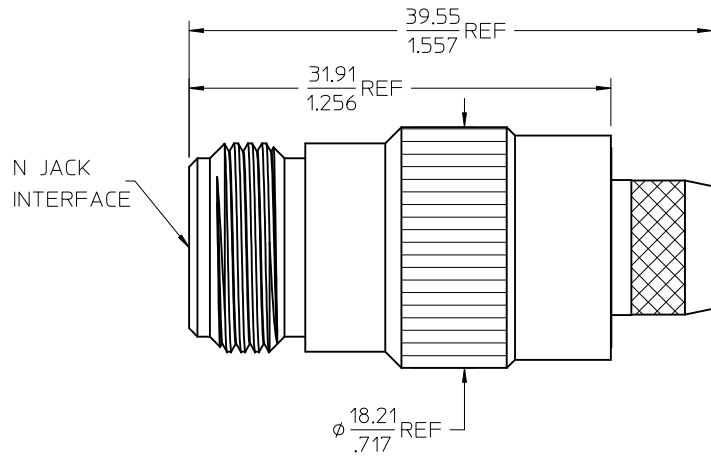
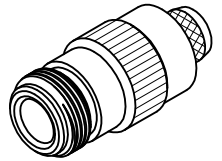


MATERIALS AND FINISHES

BODY, REAR BODY, CRIMP TUBE BRASS
PLATED NICKEL

CENTER CONTACT BERYLLIUM COPPER
PLATED GOLD

INSULATOR TEFLON



73276-0041	73276-0040, ONE PER BAG
73276-0040	BULK
PART NO.	PACKAGING

PS-89675-0920	ELECTRO/MECH PERFORM.
MIL-STD-348A, FIG. 304.2	INTERFACE
SPECIFICATION	DESCRIPTION

CHG: REVISED CRIMP TUBE. EC NO: URF2010-0640 DRW: ROBERTSON 2010/05/03 CHK: DSSS 1998/02/06 APPR: JWIENER 2010/05/03	QUALITY SYMBOLS	DESCRIPTION
	▽=0	
	▽=0	
	REV	

GENERAL TOLERANCES (UNLESS SPECIFIED)	
mm	INCH
4 PLACES ± .005	± .0005
3 PLACES ± .005	± .0005
2 PLACES ± .005	± .0005
1 PLACE ± .005	± .0005
ANGULAR ± 2°	
DRAFT WHERE APPLICABLE MUST REMAIN WITHIN DIMENSIONS	

DIMENSION STYLE	
MM/IN	
DRAWN BY	DATE
EDC	1998/01/30
CHECKED BY	DATE
DHG	1998/02/06
APPROVED BY	DATE
JWIENER	2010/05/03
MATERIAL NO.	
SEE TABLE	
SIZE	

SCALE	DESIGN UNITS	THIRD ANGLE PROJECTION
	METRIC	
TITLE		
N JACK, STR, 50 OHMS LMR400 CABLE EWR-3195, N-JC		
MOLEX INCORPORATED		SHEET NO.
DOCUMENT NO.		1 OF 1
THIS DRAWING CONTAINS INFORMATION THAT IS PROPRIETARY TO MOLEX INCORPORATED AND SHOULD NOT BE USED WITHOUT WRITTEN PERMISSION		