

MICRO SWITCH
a Honeywell Division

FED. MFG. CODE 91929

SWITCH - BASIC

CATALOG LISTING
1DM176

REPLACES X92486-DM

RELEASE NO. PR-18243

CATALOG LISTING
1DM176

ISSUE
3

CHECK

REVISIONS

A	CO-72328	WJC	14 NOV 92
B	CO-78187	K D R	6 SEP 94

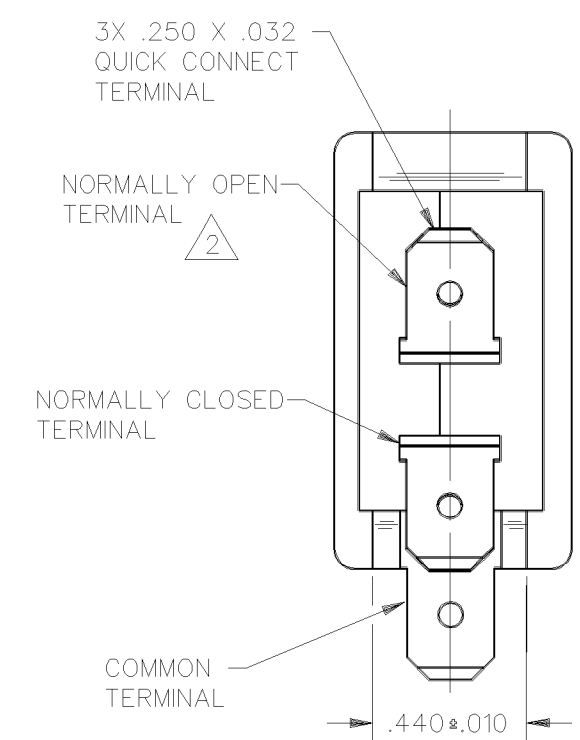
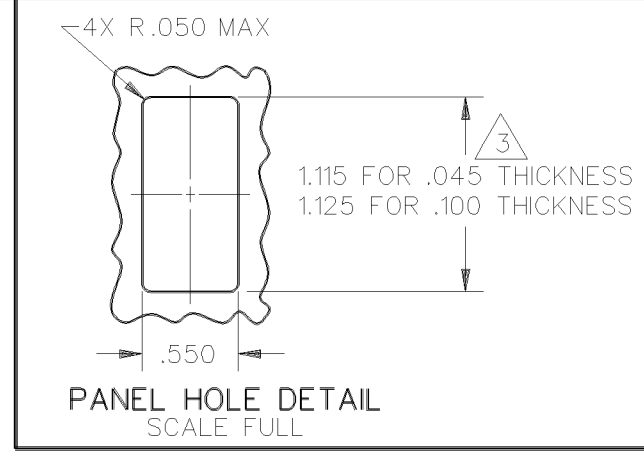
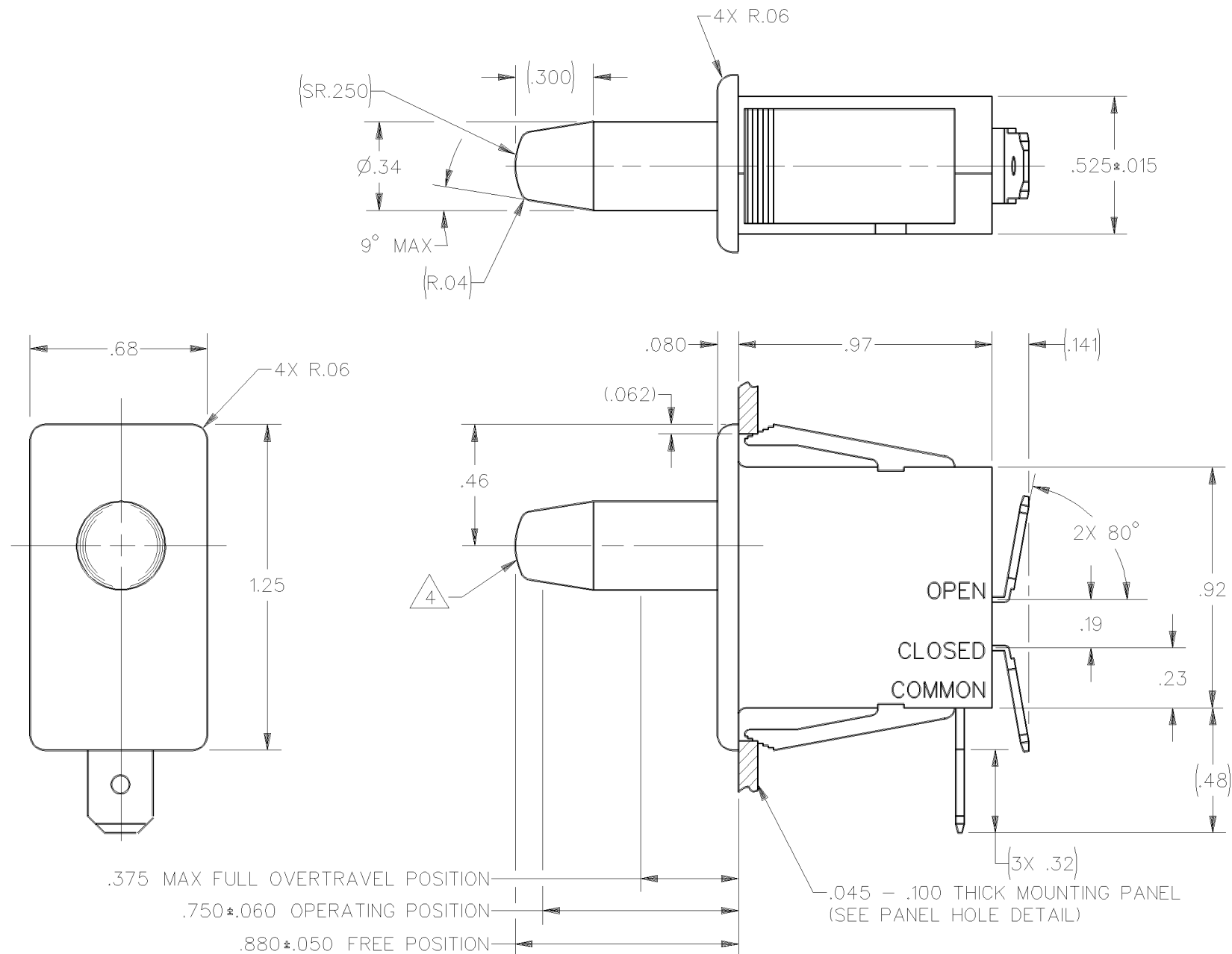
CHECK

D C S 19 MAR 93

CHECK

WJC 14 NOV 92

DDM/CAD
DRAWN



.375 MAX FULL OVERTRAVEL POSITION
.750 ± .060 OPERATING POSITION
.880 ± .050 FREE POSITION

.045 - .100 THICK MOUNTING PANEL (SEE PANEL HOLE DETAIL)

THIS DRAWING COVERS A PROPRIETARY ITEM AND IS THE PROPERTY OF MICRO SWITCH, A DIVISION OF HONEYWELL. THIS DRAWING IS NOT TO BE COPIED OR USED WITHOUT THE APPROVAL OF MICRO SWITCH

THIRD ANGLE PROJECTION
SCALE 2 TO 1
DO NOT SCALE PRINT
UNLESS OTHERWISE SPECIFIED TOLERANCES ARE
ONE PLACE (.0) ± .030
TWO PLACE (.00) ± .015
THREE PLACE (.000) ± .005
ANGLES ± 5°
WEIGHT

CHARACTERISTICS	ELECTRICAL DATA
OPERATING FORCE - - - - - 15 OZ MAX	CONTACT ARRANGEMENT
RELEASE FORCE - - - - - 3 OZ MIN	S P D T
DIFFERENTIAL TRAVEL - - .045 APPROX	L213
OVERTRAVEL - - - - - .375 MIN	10A 1/2HP 125, 250, OR 277 VAC
PLUNGER FORCE - - - - - 21 OZ MAX	2A 480 VAC
(AT .120 OVERTRAVEL)	



- NOTES
- 1 - GRAY PLASTIC CASE AND PLUNGER
 - 2 - FLAG STYLE QUICK CONNECT RECEPTACLE REQUIRED FOR NORMALLY OPEN TERMINAL IF SWITCH IS WIRED BEFORE MOUNTING
 - 3 - NOMINAL CUTOUT DIMENSION FOR PANELS BETWEEN .045 AND .100 SHOULD BE INTERPOLATED BETWEEN 1.115 AND 1.125
 - 4 - PUSH TO OPERATE - MOMENTARY

ANSI Y14.5M-1982 APPLIES