

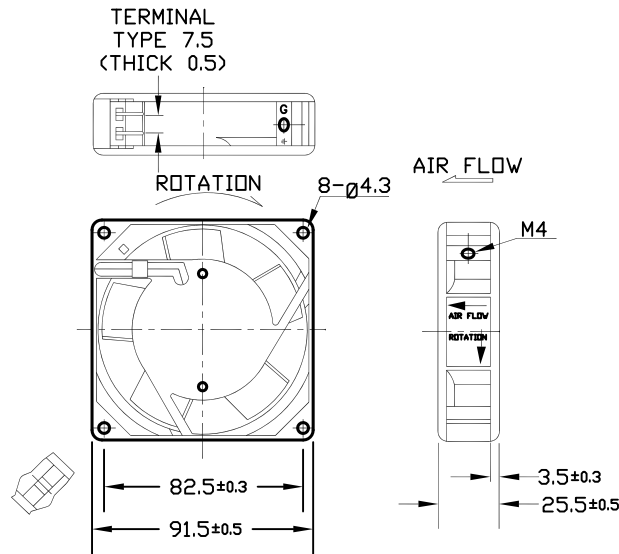
REVISIONS

DCP #	REV	DESCRIPTION	DRAWN	DATE	CHECKD	DATE	APPRVD	DATE
XX	XX	XXXX	XXXX	09-08-08	XXXX	09-08-08	XXXX	09-08-08
2067	B	Listing Info Updated	JN	08-14-09	JN	08-14-09	JN	08-14-09

**MATERIAL**

2. Material

- 2-1. Frame : DIE-CAST ALUMINUM
- 2-2. Impeller : Thermoplastic PBT of UL 94V-0



- 1. Air Flow Direction : Toward label side
- 2. Best Mounting Direction : Any orientation.

Units:mm



DISCLAIMER:  
ALL STATEMENTS AND TECHNICAL INFORMATION CONTAINED HEREIN ARE BASED UPON INFORMATION AND/OR TESTS WE BELIEVE TO BE ACCURATE AND RELIABLE. SINCE CONDITIONS OF USE ARE BEYOND OUR CONTROL, THE USER SHALL DETERMINE THE SUITABILITY OF THE PRODUCT FOR THE INTENDED USE AND ASSUME ALL RISK AND LIABILITY WHATSOEVER IN CONNECTION THEREWITH.

TOLERANCES:  
**UNLESS OTHERWISE SPECIFIED, DIMENSIONS ARE FOR REFERENCE PURPOSES ONLY.**

DRAWN BY:	DATE:
XXXX	09-08-08
CHECKED BY:	DATE:
XXXX	
APPROVED BY:	DATE:
XXXX	09-08-08

DRAWING TITLE:			
<b>Axial AC Fan</b>			
SIZE	DWG. NO.	ELECTRONIC FILE	REV
A	MC23724	01N3748	
SCALE: NTS	U.O.M.: INCHES [mm]	SHEET: 1 OF 4	

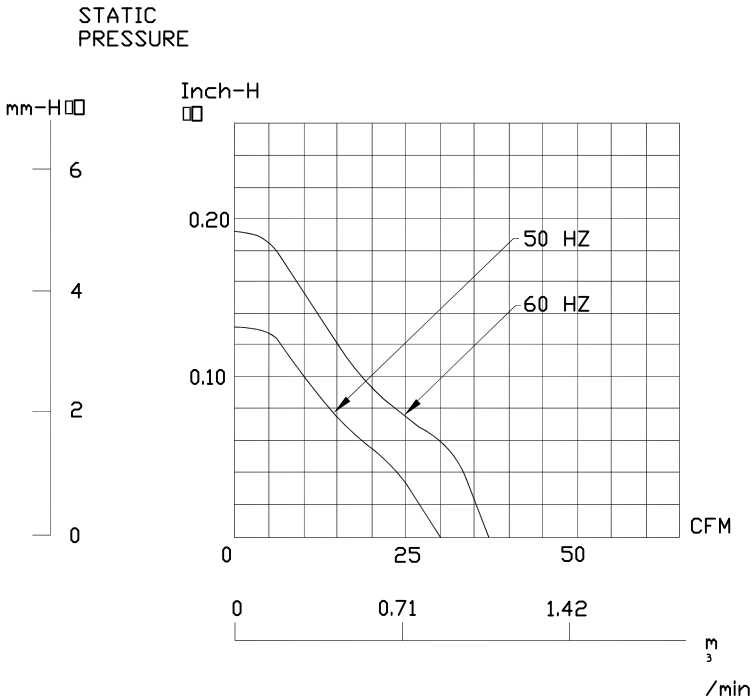
**CHARACTERISTICS**

- 1. Motor Design : Reliable Shaded-Pole Motor Construction.
- 2. Insulation Resistance : 500 Megohms minimum at 500 VDC.
- 3. Dielectric Strength : 1500 VAC for one second.
- 4. Motor Protection : Impedance protected.
- 5. Noise Level : Measured in a semi-anechoic chamber with background noise level below 15 dB(A). The fan is running in free air with the microphone at a distance of one meter from the fan intake.
- 6. Tolerance : ±15% on rated power and current.
- 7. Air Performance : Measured by a double chamber. The values are recorded when the fan speed has stabilized at rated voltage.



<p>ALL RIGHTS RESERVED. NO PORTION OF THIS PUBLICATION, WHETHER IN WHOLE OR IN PART CAN BE REPRODUCED WITHOUT THE EXPRESS WRITTEN CONSENT OF SPC TECHNOLOGY.</p>	<p>SIZE <b>A</b></p>	<p>DWG. NO. <b>MC23724</b></p>	<p>ELECTRONIC FILE <b>01N3748</b></p>	<p>REV</p>
<p>SPC-F005.DWG</p>	<p>DOC. NO. SPC-F005 * Effective: 7/8/02 * DCP No: 1398</p>	<p>SCALE: NTS</p>	<p>U.O.M.: Millimeters</p>	<p>SHEET: 2 OF 4</p>

### PERFORMANCE CURVES



ALL RIGHTS RESERVED. NO PORTION OF THIS PUBLICATION, WHETHER IN WHOLE OR IN PART CAN BE REPRODUCED WITHOUT THE EXPRESS WRITTEN CONSENT OF SPC TECHNOLOGY.

SIZE <b>A</b>	DWG. NO. <b>MC23724</b>	ELECTRONIC FILE <b>01N3748</b>	REV
SCALE: NTS		U.O.M.: Millimeters	SHEET: 3 OF 4

## SPECIFICATIONS

1-1. Rated Voltage	:	220-240 VAC 50/60 HZ
1-2. Operating Voltage Range	:	185~245 VAC
1-3. Starting Voltage	:	185 VAC (25 deg. C POWER ON/OFF)
1-4. Rated Speed	:	2350/2850 RPM $\pm$ 10%
1-5. Air Delivery	:	30/37 CFM
1-6. Static Pressure	:	0.13/0.19 Inch-H <sub>2</sub> O
1-7. Rated Current	:	0.07/0.06 AMP
1-8. Rated Power	:	14.5/14 WATTS
1-9. Noise Level	:	37/40 dB(A)
1-10. Direction of Rotation	:	Counter-clockwise viewed from front of fan blade
1-11. Operating Temperature	:	-10 to +70 deg. C
1-12. Storage Temperature	:	-40 to +70 deg. C
1-13. Bearing System	:	Precision ball bearing system
1-14. Weight	:	280g
1-15. Safety	:	UL/CUR Approvals
1-16. Protection	:	Automatic Restart Capability

Note: In a situation where the fan is locked by an external force while the electricity is on, an increase in coil temperature will be prevented by temporarily turning off the electrical power to the motor. the fan will automatically restart when the locked rotor condition is released.

Polarity Protection



ALL RIGHTS RESERVED. NO PORTION OF THIS PUBLICATION, WHETHER IN WHOLE OR IN PART CAN BE REPRODUCED WITHOUT THE EXPRESS WRITTEN CONSENT OF SPC TECHNOLOGY.

SIZE	DWG. NO.	ELECTRONIC FILE	REV
A	MC23724	01N3748	
SCALE: NTS	U.O.M.: Millimeters	SHEET: 4	OF 4