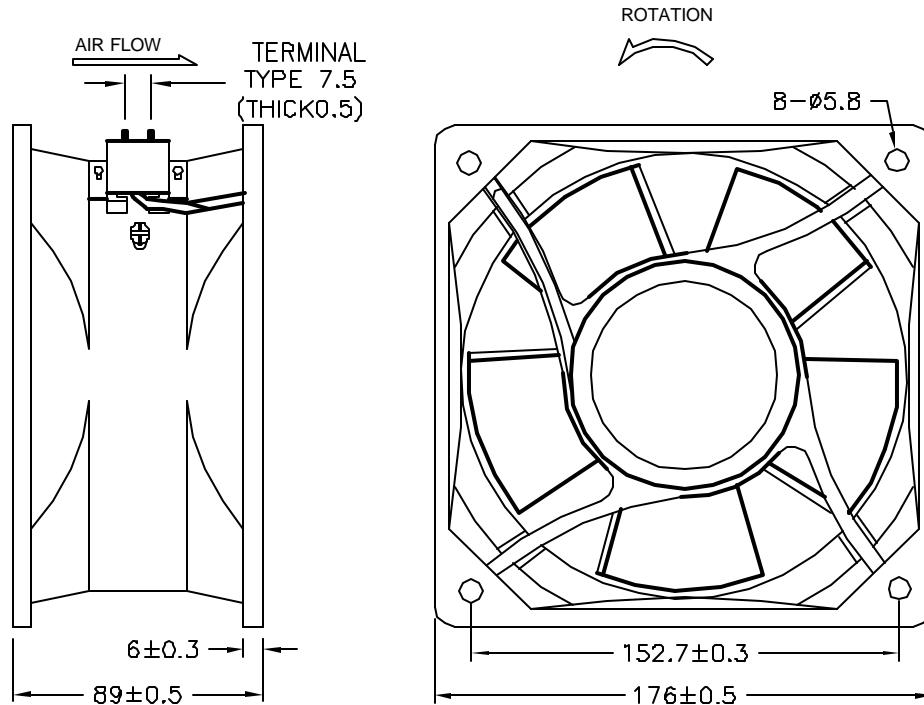


REVISIONS

DCP #	REV	DESCRIPTION	DRAWN	DATE	CHECKD	DATE	APPRVD	DATE
1993	A	Released	JN	03/09/09	JWM	03/09/09	JWM	03/09/09

MATERIAL

- 2-1. Frame : DIE-CAST ALUMINUM
- 2-2. Impeller : PC of UL 94V-0
- 2-3. Lead Wire : UL1007, 18awg, BLACK



Units:mm

DISCLAIMER:
ALL STATEMENTS AND TECHNICAL INFORMATION CONTAINED HEREIN ARE BASED UPON INFORMATION AND/OR TESTS WE BELIEVE TO BE ACCURATE AND RELIABLE. SINCE CONDITIONS OF USE ARE BEYOND OUR CONTROL, THE USER SHALL DETERMINE THE SUITABILITY OF THE PRODUCT FOR THE INTENDED USE AND ASSUME ALL RISK AND LIABILITY WHATSOEVER IN CONNECTION THEREWITH.

TOLERANCES:
UNLESS OTHERWISE SPECIFIED, DIMENSIONS ARE FOR REFERENCE PURPOSES ONLY.

DRAWN BY:	DATE:
Jason Nash	03/09/09
CHECKED BY:	DATE:
Jeff McVicker	03/09/09
APPROVED BY:	DATE:
Jeff McVicker	03/09/09

DRAWING TITLE: Axial AC Fan			
SIZE A	DWG. NO. MC25028	ELECTRONIC FILE 31P7358	REV A
SCALE: NTS	U.O.M.: INCHES [mm]	SHEET: 1 OF 4	

CHARACTERISTICS

- 1. Motor Design : Reliable Alveolate Motor Construction.
- 2. Insulation Resistance : 500 Megohms minimum at 500 VDC.
- 3. Dielectric Strength : 1800 VAC for one second.
- 4. Motor Protection : Thermal protected & Class B (II).
- 5. Noise Level : Measured In a semi-anechoic chamber with background noise level below 15 dB(A). The fan is running in free air with the microphone at a distance of one meter from the fan intake.
- 6. Tolerance : $\pm 15\%$ on rated power and current.
- 7. Air Performance : Measured by a double chamber. The values are recorded when the fan speed has stabilized at rated voltage.



ALL RIGHTS RESERVED. NO PORTION OF THIS PUBLICATION, WHETHER IN WHOLE OR IN PART CAN BE REPRODUCED WITHOUT THE EXPRESS WRITTEN CONSENT OF SPC TECHNOLOGY.

SIZE
A

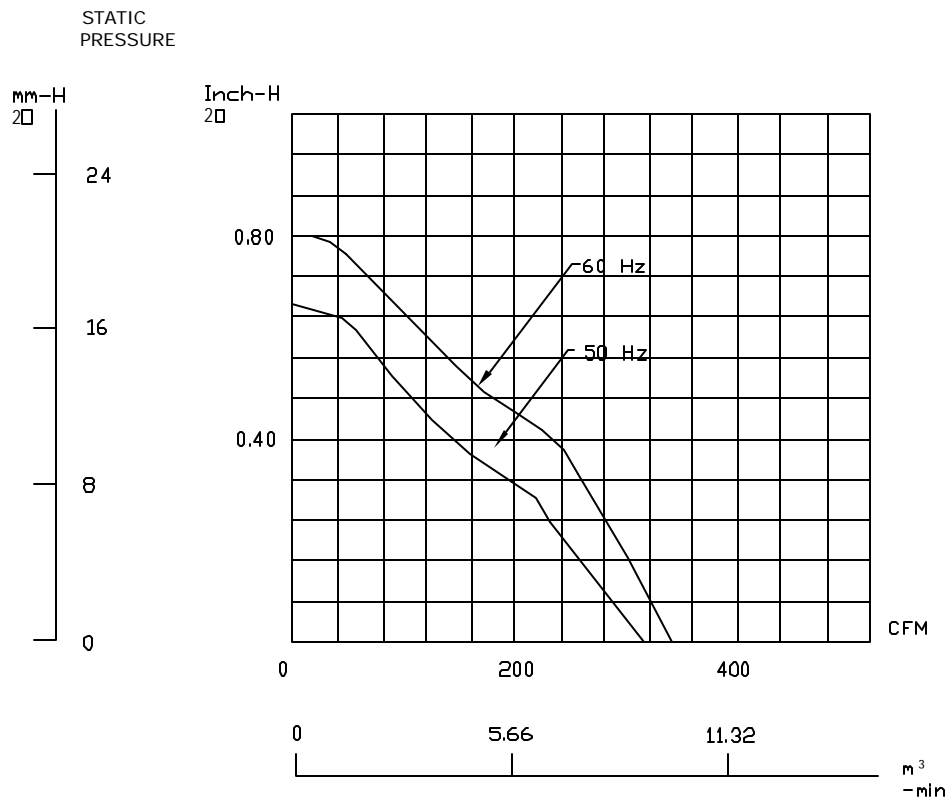
DWG. NO.

MC25028

ELECTRONIC FILE
31P735B.dwg

REV
A

PERFORMANCE CURVES



ALL RIGHTS RESERVED. NO PORTION OF THIS PUBLICATION, WHETHER IN WHOLE OR IN PART CAN BE REPRODUCED WITHOUT THE EXPRESS WRITTEN CONSENT OF SPC TECHNOLOGY.

SIZE
A

DWG. NO.

MC25028

ELECTRONIC FILE

31P735B.dwg

REV

A

SPECIFICATIONS

1-1. Rated Voltage	:	220-240 VAC 50/60 Hz
1-2. Operating Voltage Range	:	150~250 VAC
1-3. Starting Voltage	:	150 VAC (25 deg. C POWER ON/OFF)
1-4. Rated Speed	:	2800/3250 RPM \pm 10%
1-5. Air Delivery	:	315/335 CFM
1-6. Static Pressure	:	0.65/0.80 Inch-H ₂ O
1-7. Rated Current	:	0.11/0.15 AMP
1-8. Rated Power	:	23/30 WATTS
1-9. Noise Level	:	62/66 dB(A)
1-10. Direction of Rotation	:	Clockwise viewed from front of fan blade
1-11. Operating Temperature	:	-10 to +70 deg.C
1-12. Storage Temperature	:	-40 to +70 deg.C
1-13. Bearing System	:	Precision ball bearing system
1-14. Weight	:	1960g
1-15. Safety	:	UL/cUR/CE Approvals
1-16. Vibration	:	Vibration of acceleration 1.5G and frequency 5~50~5Hz is applied in all 3 directions(X,Y,Z), in cycles of 1 minute each, for a total vibration time of 30 minutes.



ALL RIGHTS RESERVED. NO PORTION OF THIS PUBLICATION, WHETHER IN WHOLE OR IN PART CAN BE REPRODUCED WITHOUT THE EXPRESS WRITTEN CONSENT OF SPC TECHNOLOGY.

SIZE
A

DWG. NO.

MC25028

ELECTRONIC FILE

31P735B.dwg

REV

A

SPC-F005.DWG

DOC. NO. SPC-F005 * Effective: 7/8/02 * DCP No: 1388

SCALE: NTS

U.O.M.: Millimeters

SHEET: 4 OF 4