

MICRO SWITCH
a Honeywell Division

FED. MFG. CODE 91 929

SWITCH-BASIC

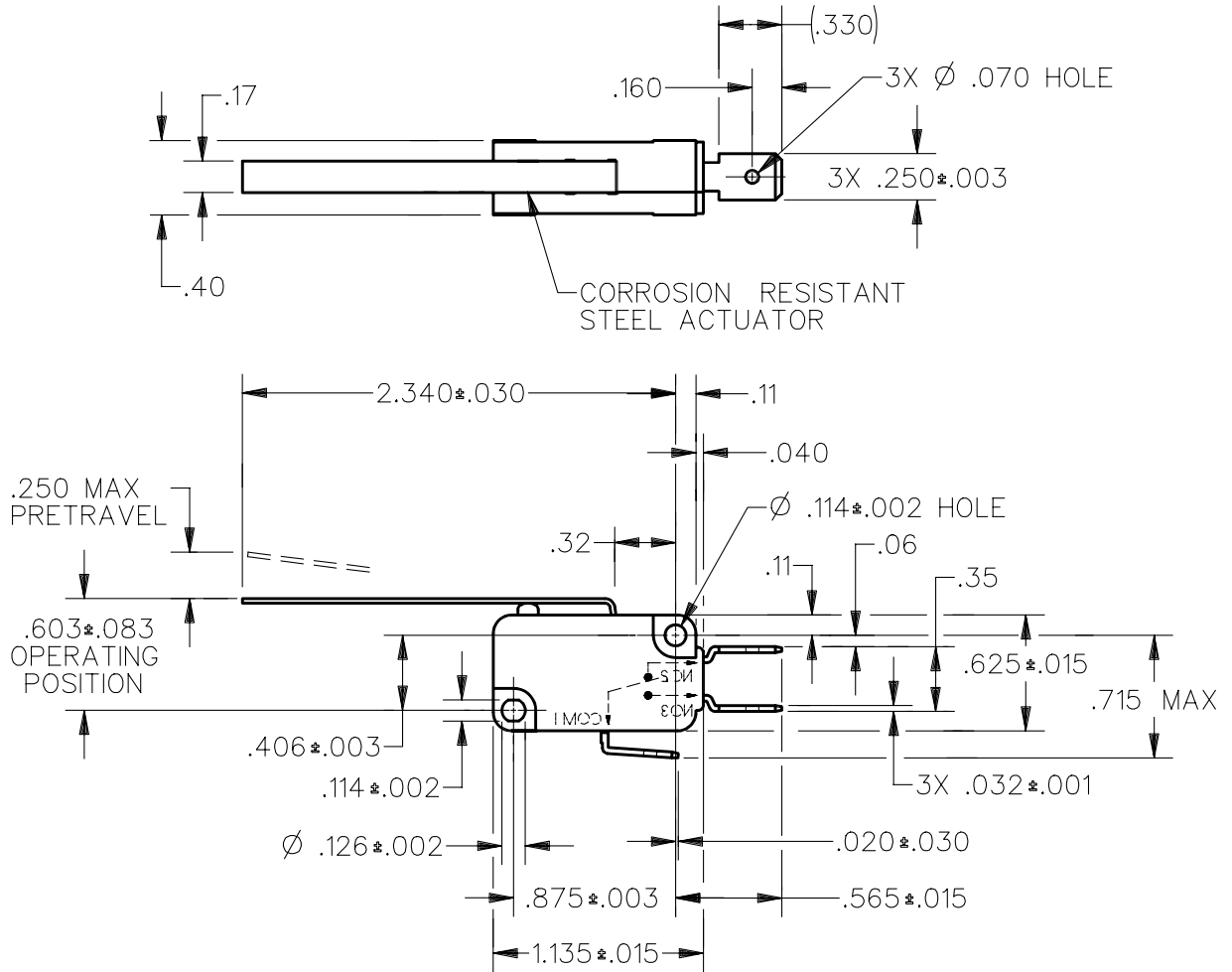
CATALOG LISTING

V7-9W1AE9-048

CW-C6320

CATALOG LISTING
V7-9W1AE9-048
PAGE 1 OF 1
ISSUE 2

REPLACES X95851-V7
RELEASE NO. PR-19989



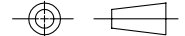
NOTE

- 1 - MAXIMUM MECHANICAL DEAD BREAK OF .0135 CAN BE EXPECTED WITH THIS SWITCH CONSTRUCTION
- 2 - SILVER PLATED TERMINALS
- 3 - SWITCH WILL FUNCTION A MINIMUM OF 1000 ACTUATIONS AT RATED LOAD WHILE EXPOSED TO A 350°F ENVIRONMENT FOR 600 HOURS

ANSI Y14.5M-1982 APPLIES

THIS DRAWING COVERS A PROPRIETARY ITEM AND IS THE PROPERTY OF MICRO SWITCH, A DIVISION OF HONEYWELL. THIS DRAWING IS NOT TO BE COPIED OR USED WITHOUT THE APPROVAL OF MICRO SWITCH.

THIRD ANGLE PROJECTION



CHARACTERISTICS

OPERATING FORCE	90 GRAMS MAX
RELEASE FORCE	4 GRAMS MIN
DIFFERENTIAL TRAVEL	.054 MAX
OVERTRAVEL	.124 MIN
RELEASE TRAVEL	.030 MIN

ELECTRICAL DATA

CONTACT ARRANGEMENT	SPDT
L264	15.1A 125, 250, 277 VAC

SCALE FULL

DO NOT SCALE PRINT

UNLESS OTHERWISE SPECIFIED TOLERANCES ARE		
ONE PLACE	(.0)	±.030
TWO PLACE	(.00)	±.015
THREE PLACE	(.000)	±.005
ANGLES		±

WEIGHT



REVISIONS

A	CO-76303	J A L	29 NOV 93
---	----------	-------	-----------

DDM/CAD
DRAWN
J A L 6 APR 92
CHECK
D A W 6 APR 92
CHECK