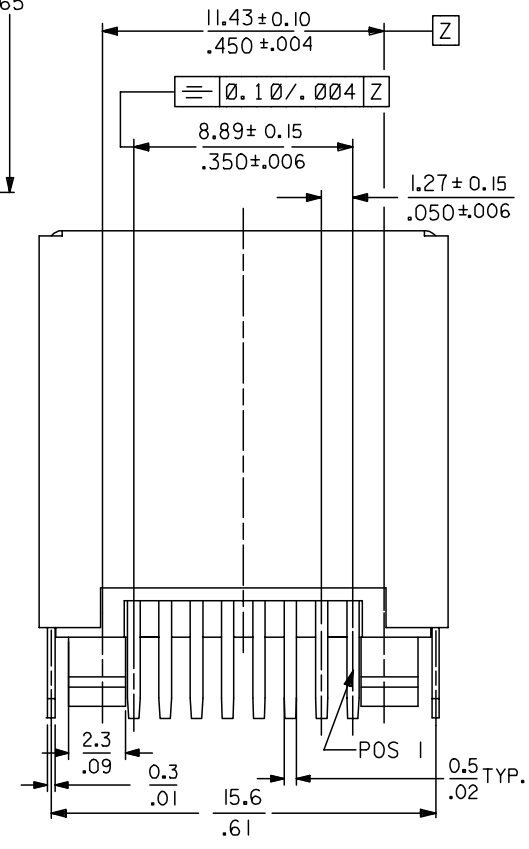
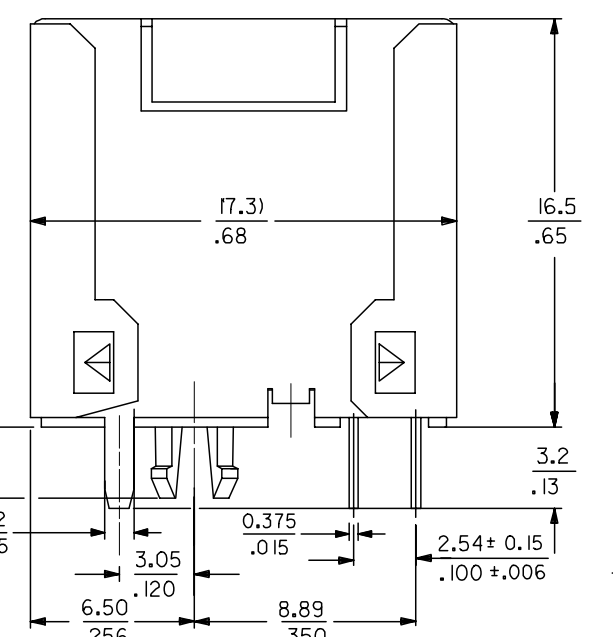
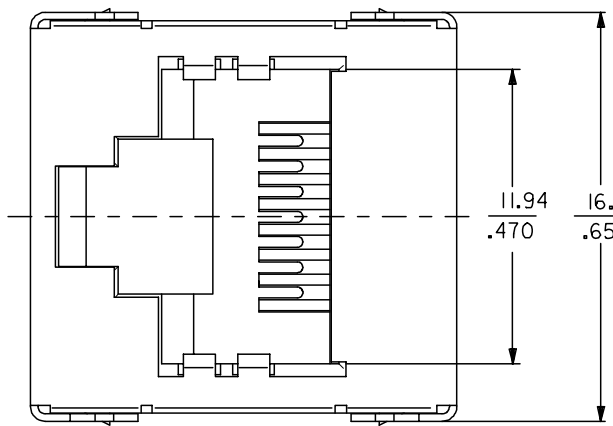
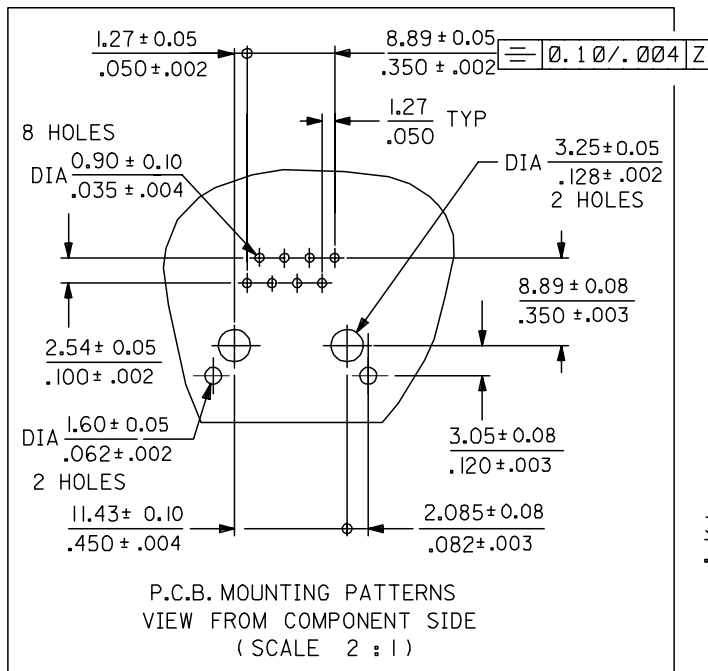


**TECHNICAL SPECIFICATIONS:**

I- MATERIAL: HOUSING: POLYESTER G.F. UL94V0  
 COLOR : BLACK  
 TERMINAL : PHOSPHOR BRONZE PLATED WITH  
 0.00127-0.00152/.000050-.000060 GOLD  
 IN CONTACT AREA , 0.00190/.000075 MIN  
 PURE TIN IN TAIL AREA BOTH OVER  
 0.00127/.000050 MIN NICKEL OVERALL  
 SHIELD : BRASS PLATED WITH 0.0020/.000078  
 MIN TIN

PART NUMBER	TOOLED	PCB THICKNESS
85508-0001	YES	1.57/.062
85508-0002	NO	1.20/.047



**NOTES :**

- JACK FOR MATING WITH F.C.C. 68 PLUGS 95043 MOLEX SERIES.
- PRODUCT SPECIFICATION: MOLEX PS-85505.
- APPLICATION SPECIFICATION: MOLEX AS-95001.
- PACKAGING SPECIFICATION: MOLEX PK-95123.
- P.C. BOARD THICKNESS (SEE CHART) DIM A
- EXCEEDS CATEGORY 5E PERFORMANCE.

ENTER DESCRIPTION EC NO: MG2005-0139 DRAWN: KNOLLER 2004/10/15 CHKD: FCARABET 2004/10/15 APPR: KNOLLER 2004/10/15	QUALITY SYMBOLS ▽=0 ▽=0	GENERAL TOLERANCES (UNLESS SPECIFIED)		DIMENSION STYLE MM ONLY		SCALE 5:1	DESIGN UNITS METRIC	THIRD ANGLE PROJECTION		
		4 PLACES ± --- ± --- 3 PLACES ± --- ± .010 2 PLACES ± 0.25 ± .014 1 PLACE ± 0.35 ± --- ANGULAR ± 2 °		DRAWN BY HB		DATE 99/07/07		TITLE HIGH SPEED MODULAR JACK TOP ENTRY 8 CKTS THROUGH HOLE VERSION		
		DRAFT WHERE APPLICABLE MUST REMAIN WITHIN DIMENSIONS		APPROVED BY FB		DATE		MOLEX INCORPORATED		
		SIZE A3		SEE CHART		MATERIAL NO. DOCUMENT NO. SD-85508-001		SHEET NO. 1 OF 1		THIS DRAWING CONTAINS INFORMATION THAT IS PROPRIETARY TO MOLEX INCORPORATED AND SHOULD NOT BE USED WITHOUT WRITTEN PERMISSION