

4

3

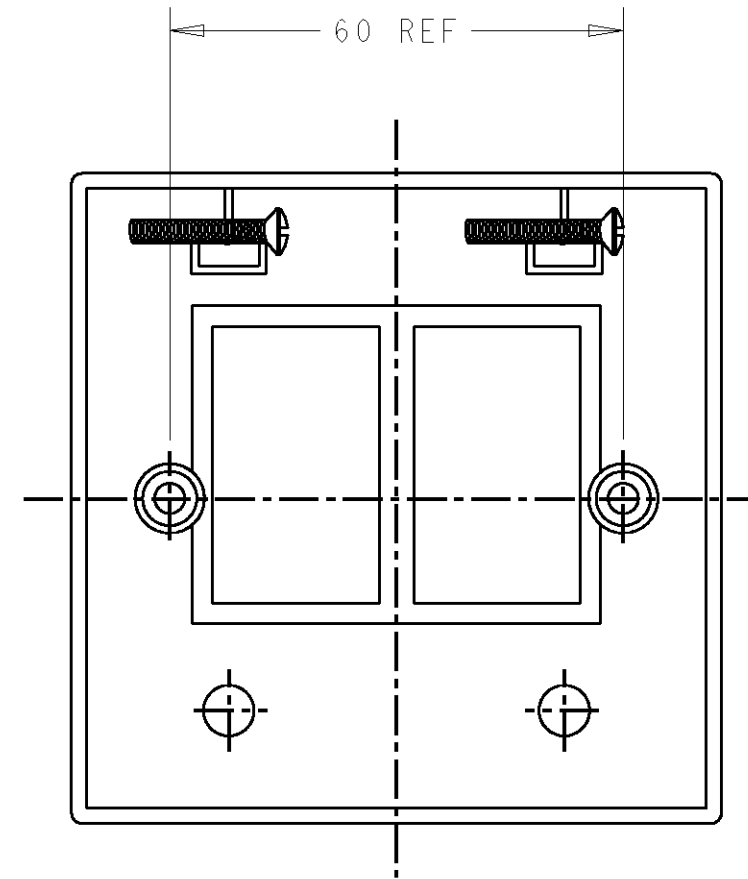
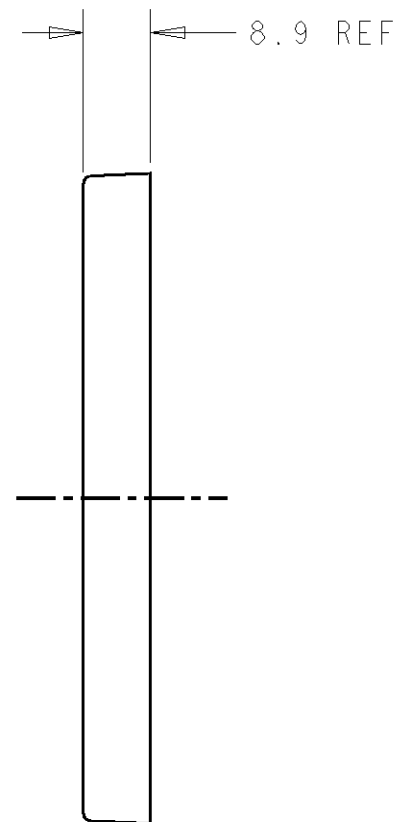
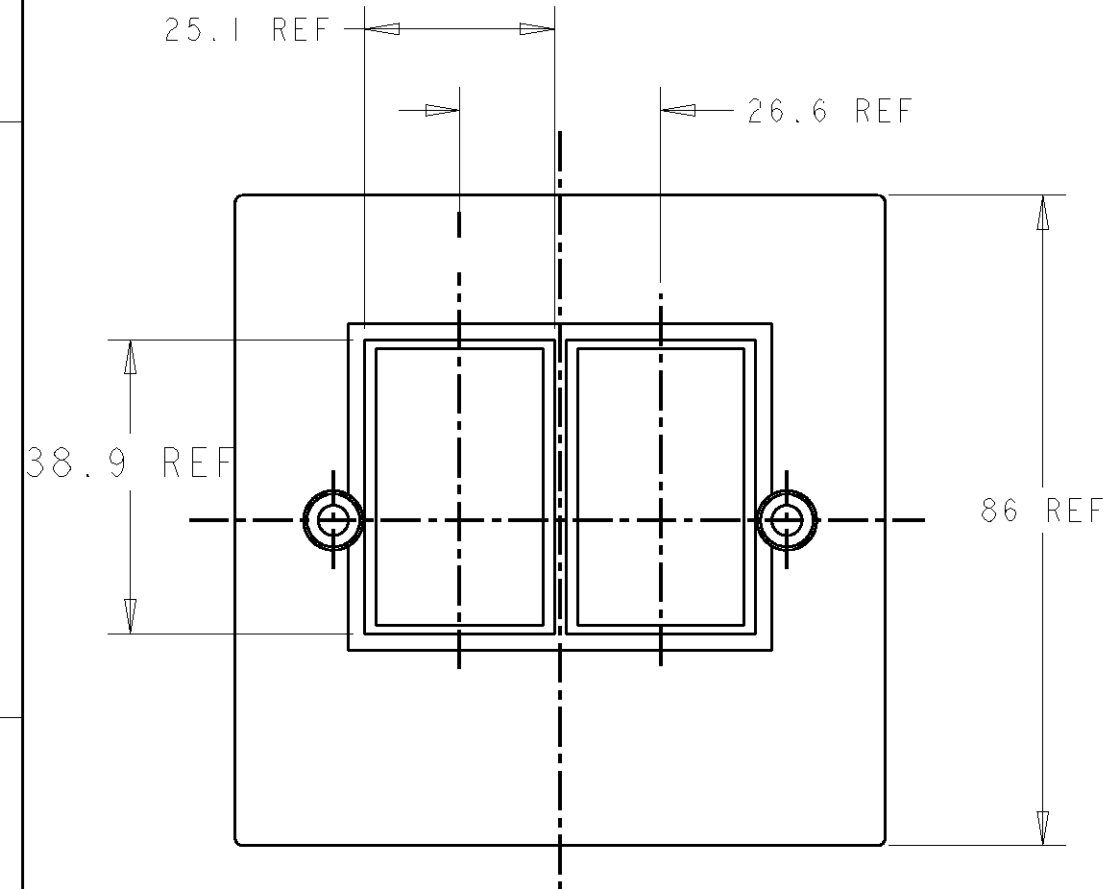
2

1

THIS DRAWING IS UNPUBLISHED. RELEASED FOR PUBLICATION 2005

© COPYRIGHT 2005 BY TYCO ELECTRONICS CORPORATION. ALL RIGHTS RESERVED.

LOC	DIST	REVISIONS			
P	LTR	DESCRIPTION	DATE	DWN	APVD
1K	2	A	FIRST RELEASE	15JUN2005	MP AC



△ PRODUCT DESCRIPTION:
DOUBLE BS FACEPLATE LJ6C UNLOADED

9003	1711302-1
RAL	DASH

<small>THIS DRAWING IS A CONTROLLED DOCUMENT FOR TYCO ELECTRONICS CORPORATION. IT IS SUBJECT TO CHANGE AND THE CONTROLLING ENGINEERING ORGANIZATION SHOULD BE CONTACTED FOR THE LATEST REVISION.</small>		DWN M. PANADERO 15JUN2005 CHK A. CARRERAS 15JUN2005 APVD J. SANABRA 15JUN2005	tyco Electronics Tyco Electronics AMP España S.A. Barcelona, Spain.
DIMENSIONS: mm	TOLERANCES UNLESS OTHERWISE SPECIFIED: 0 PLC ±0.2 1 PLC ±0.2 2 PLC ± 3 PLC ± 4 PLC ± ANGLES ±	PRODUCT SPEC - APPLICATION SPEC - WEIGHT -	NAME DOUBLE BS FACEPLATE LJ6C UNLOADED
MATERIAL -	FINISH -	SIZE A3 CAGE CODE 00779 DRAWING NO C-1711302	RESTRICTED TO -
CUSTOMER DRAWING		SCALE	SHEET OF REV A