

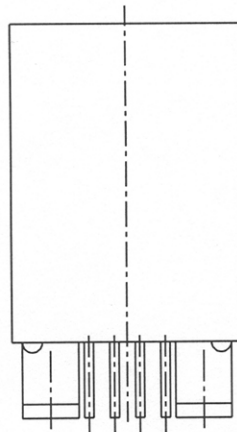
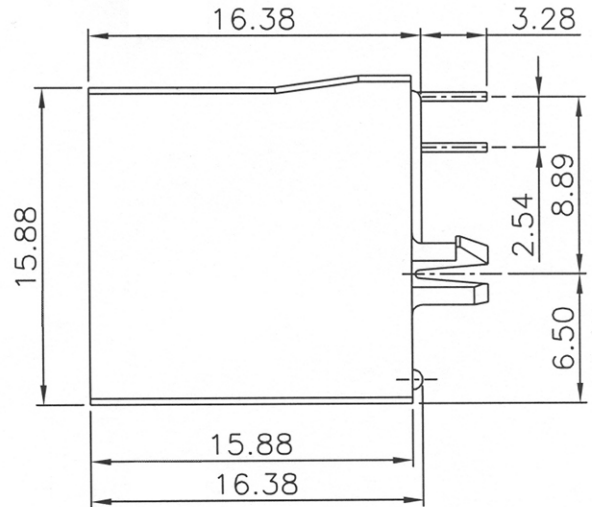
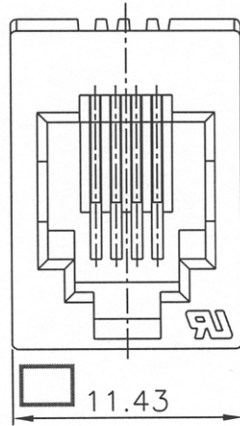
No.	Changes and/or Note No.	Date	Intr.	No.	Changes and/or Note No.	Date	Intr.

MATERIALS:

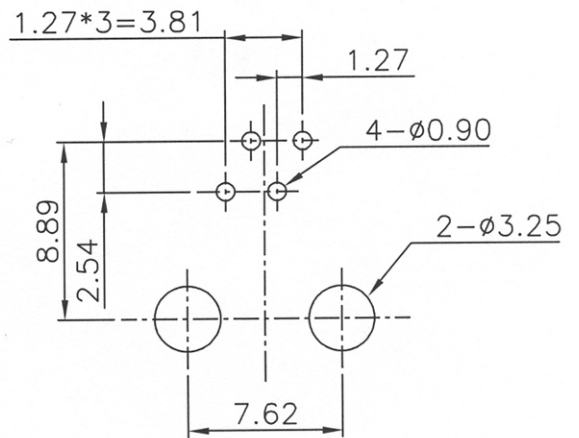
PLASTIC HOUSING: ENGINEERING THERMOPLASTIC
 FLAMMABILITY RATING UL 94V-0.

CONTACTS: 0.46MM DIAMETER PHOSPHOR BRONZE

PLATING: GOLD PLATING OVER NICKEL



PCB LAYOUT/TOP VIEW



- 3u" P/N 3002041000
- 6u" P/N 3002041100
- 15u" P/N 3002041200
- 30u" P/N 3002041300
- 50u" P/N 3002041400

DATE	040609	DRAWN	MRR	SCALE	1:1	MATERIAL TYPE	
		APPROVED				REPLACES	
		MHRJJ44NFV					
DRAWING No						133	