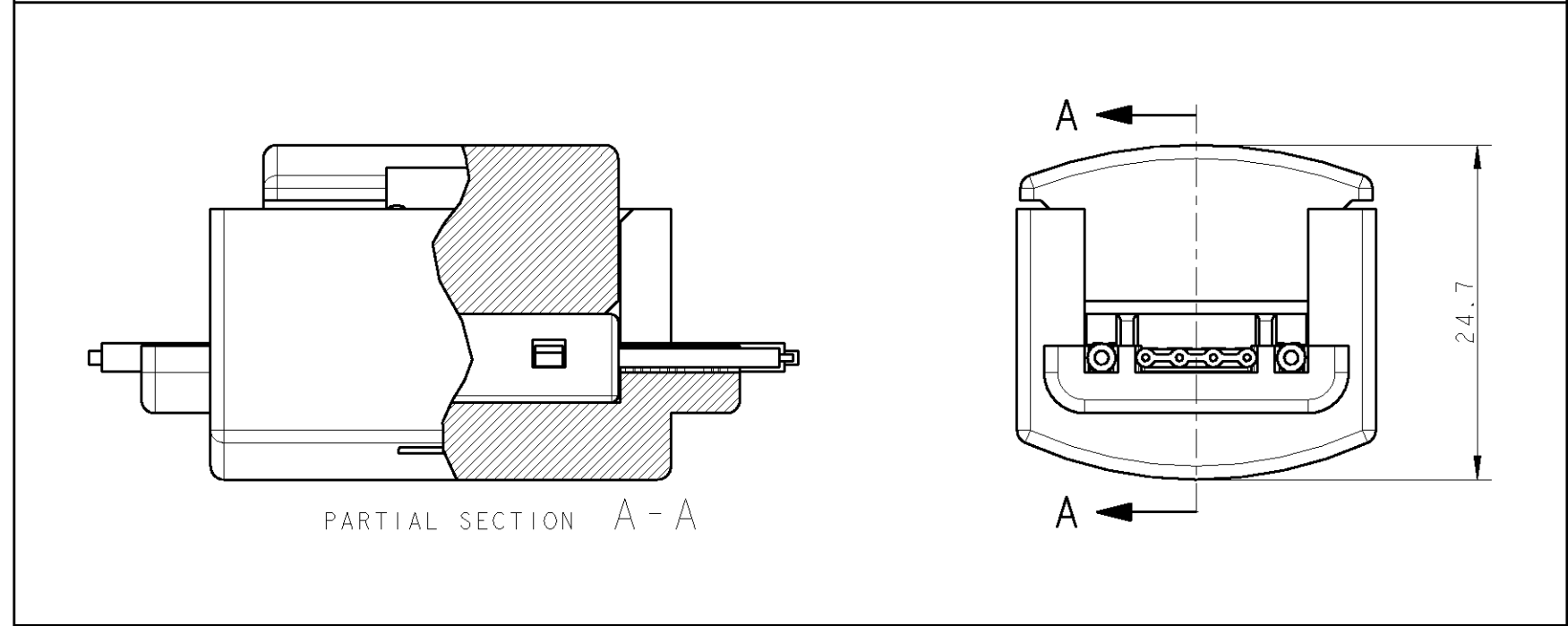
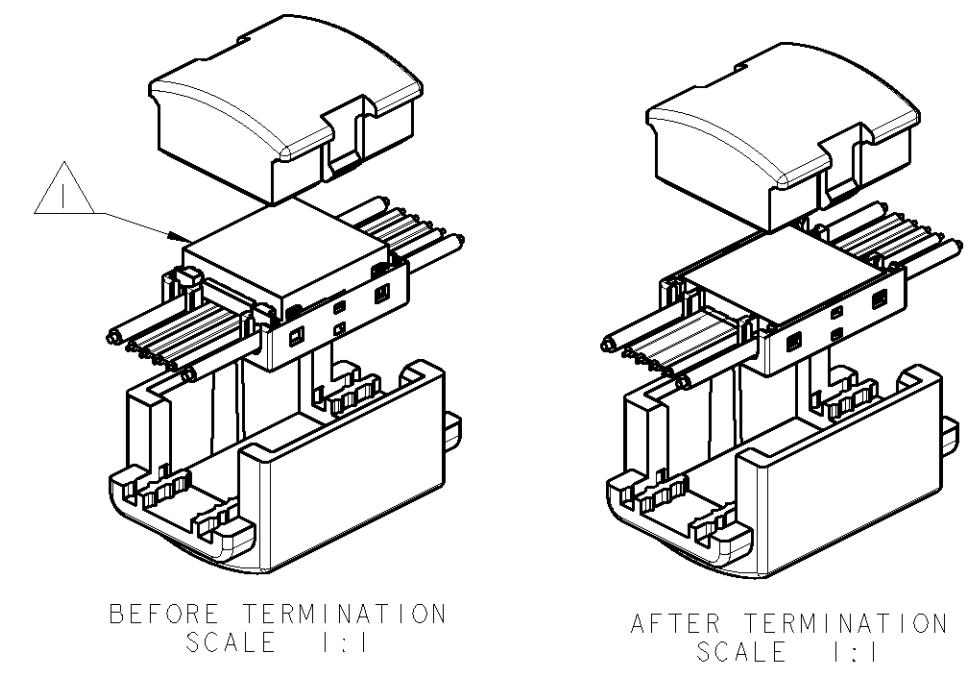
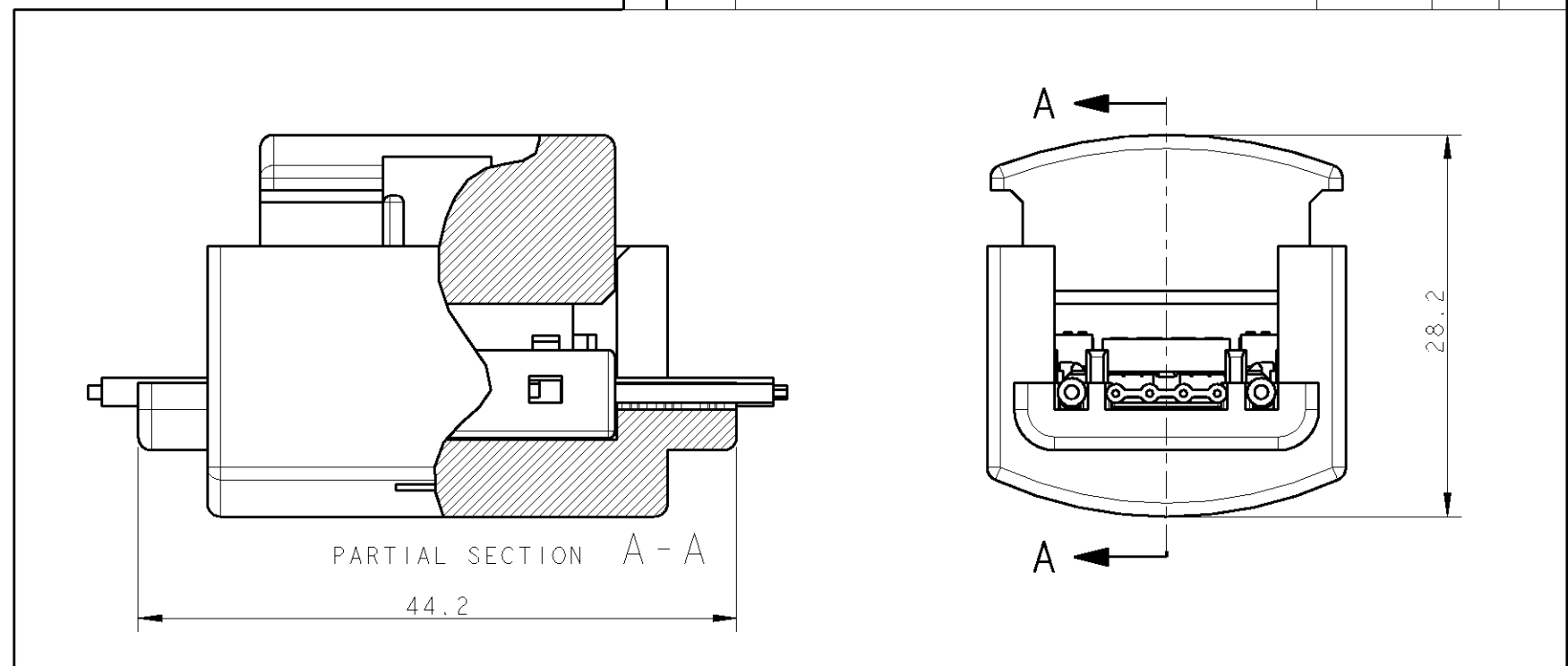
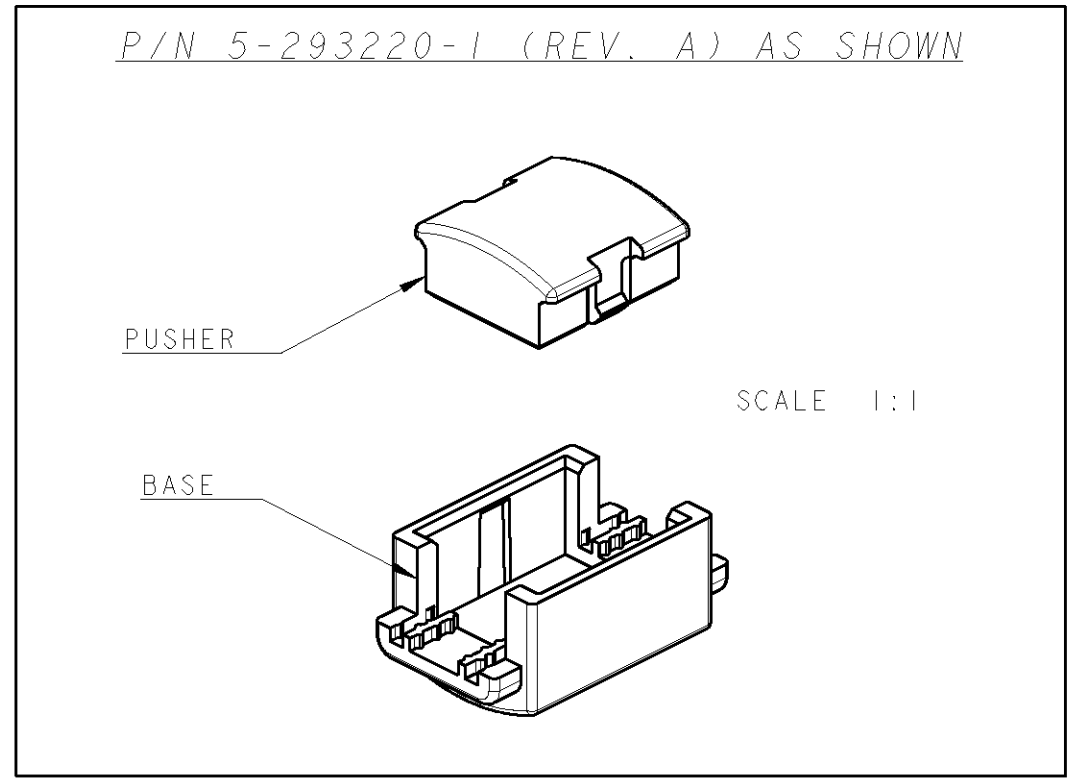


THIS DRAWING IS UNPUBLISHED. RELEASED FOR PUBLICATION 2008
 © COPYRIGHT 2008 BY TYCO ELECTRONICS CORPORATION. ALL RIGHTS RESERVED.

LOC	DIST	REVISIONS			
P	LTR	DESCRIPTION	DATE	DWN	APVD
1	-	A	RELEASED FOR PRODUCTION	04JUL2008	D.C. G.T.



⚠ 4 POS. IDC WIRE TO WIRE CONNECTOR:
 P/N 5-293172-1 OR P/N 5-293172-2 OR P/N 5-293172-5

<small>THIS DRAWING IS A CONTROLLED DOCUMENT FOR TYCO ELECTRONICS CORPORATION IT IS SUBJECT TO CHANGE AND THE CONTROLLING ENGINEERING ORGANIZATION SHOULD BE CONTACTED FOR THE LATEST REVISION.</small>		DWN 28APR2006 D. CHIARELLI CHK 28APR2006 G. TURCO APVD 28APR2006 G. TURCO	Tyco Electronics AMP Italia S.p.A. C.so F.lli Cervi, 15 - Collegno (TO)
DIMENSIONS: mm 	TOLERANCES UNLESS OTHERWISE SPECIFIED: 0 PLC ±- 1 PLC ±0.5 2 PLC ±0.1 3 PLC ±- 4 PLC ±- ANGLES ±1°	PRODUCT SPEC - APPLICATION SPEC - WEIGHT -	NAME LOW COST APPLICATOR FOR 4 POS. IDC WIRE TO WIRE CONNECTOR
MATERIAL PA6 30%GF COLOUR: RAL7037	FINISH -	CUSTOMER DRAWING	SIZE A3 CAGE CODE 00779 DRAWING NO. C=293220 RESTRICTED TO - SCALE 2:1 SHEET 1 OF 1 REV A