

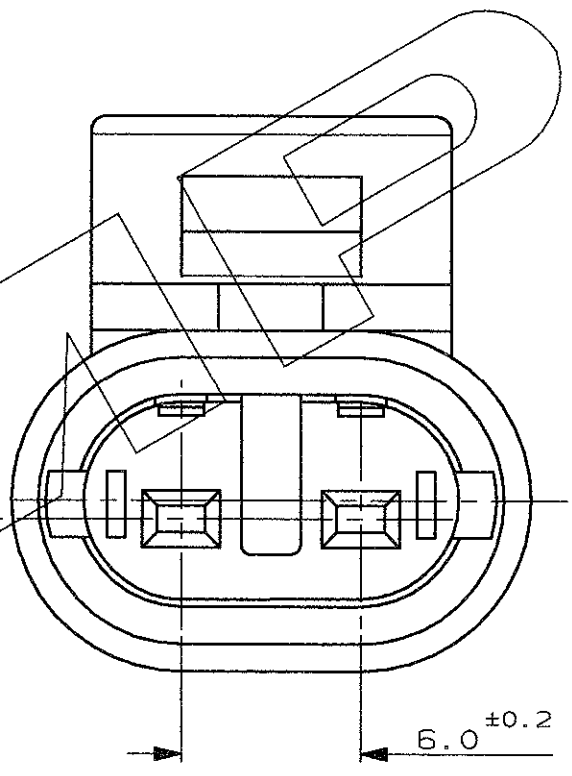
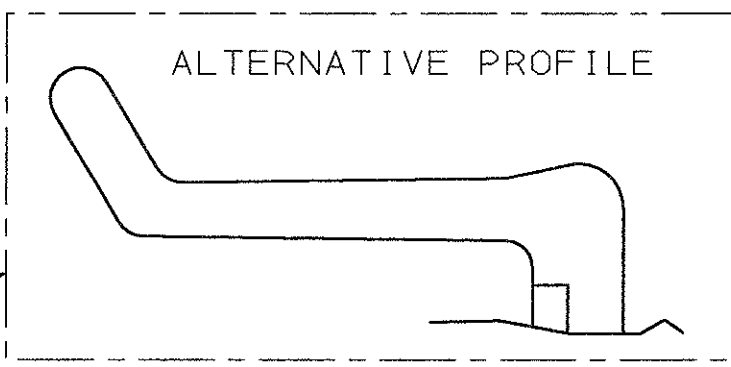
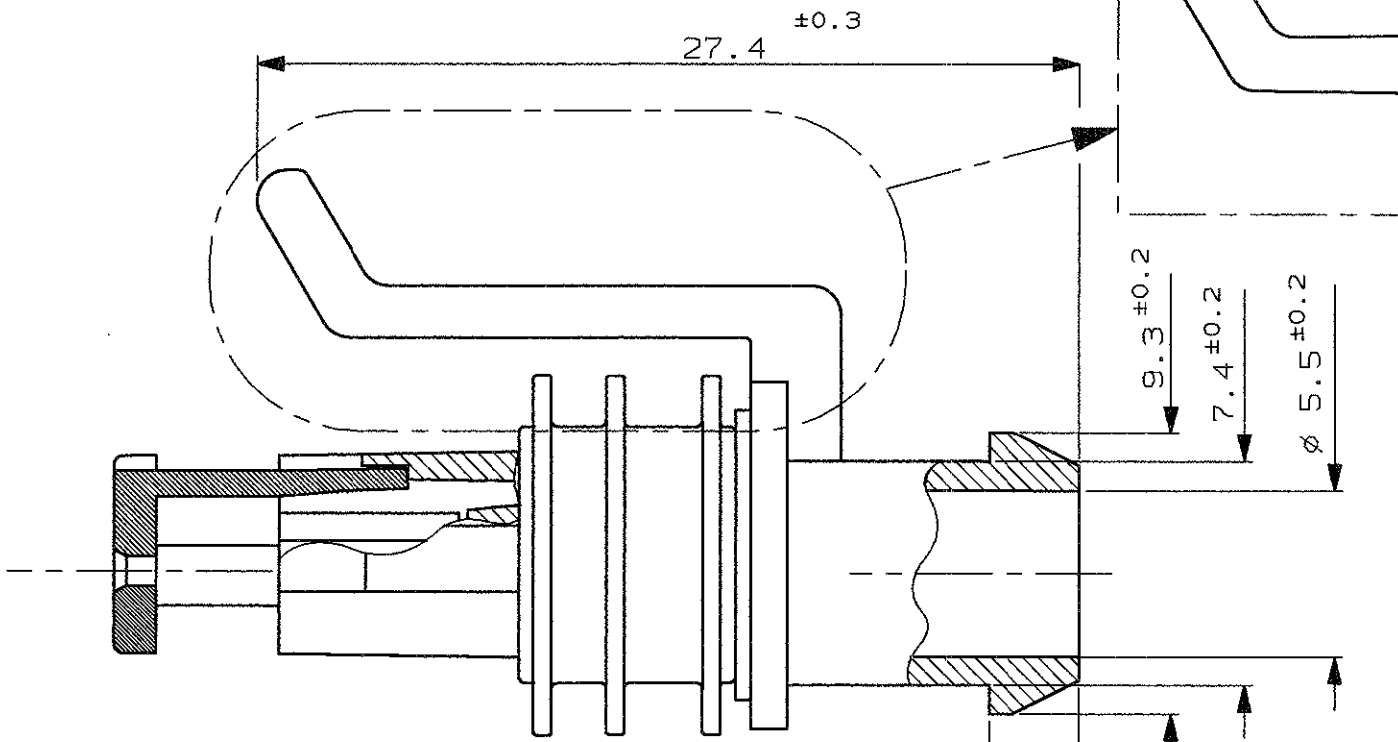
SCALA NON IMPEGNATIVA
(DO NOT SCALE)
DIMENSIONI IN mm
(DIMENSIONS IN mm)

METRIC

PROIEZIONE EUROPEA
(EUROPEAN PROJECTION)

ALTERNATIVE PROFILE

A
B
C
D
E

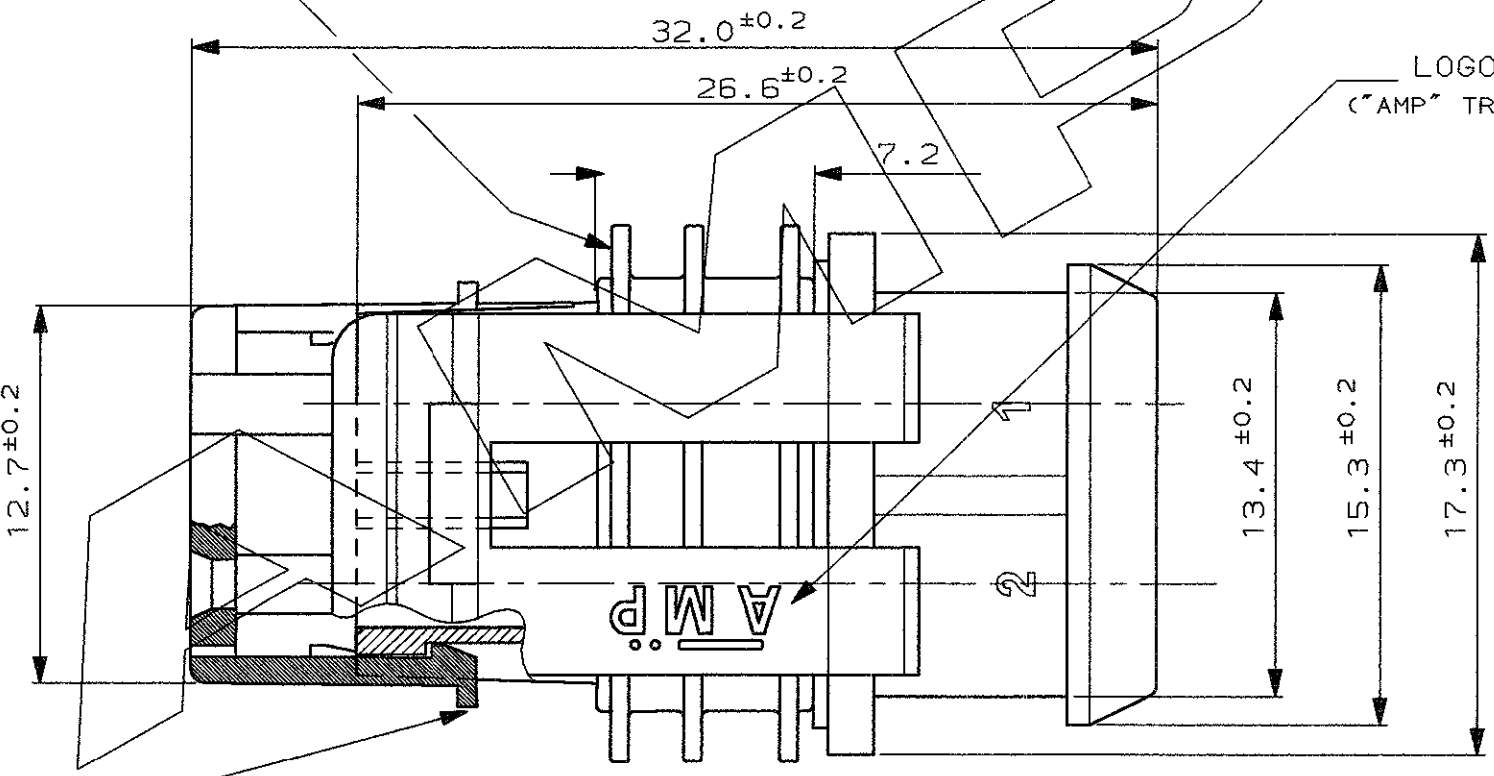


GUARNIZIONE, GOMMA SILICONICA
(GASKET, SILICONE RUBBER)

3.0 ±0.2

LOGO "AMP"
("AMP" TRADE MARK)

1) PER RAPPRESENTAZIONE DIMA CONTROPARTE
VEDERE FOGLIO 2 DI 2.
(FOR COUNTERPART DETAIL SEE SHEET 2 OF 2)



AGGANCIAMENTO SECONDARIO, COLORE ROSSO, PRE-ASSEMBLATO
(SECONDARY LOCK, RED COLOUR, IN PRE-ASSEMBLED POSITION)

VERDE (GREEN)	PA 6.6 CAR.VETRO	C	282080-3
GRIGIO (GREY)	(PA 6.6 G.F.)	C	282080-2
NERO (BLACK)		C	282080-1
FINITURA / COLORE (FINISH / COLOUR)	MATERIALE (MATERIAL)	REV.	NUMERO (PART NUMBER)

CUSTOMER DWG. FOR REFERENCE ONLY DISEGNO PER CLIENTE SOLO PER RIFERIMENTO

THIS DRAWING IS UNPUBLISHED RELEASE FOR PUBLICATION 19

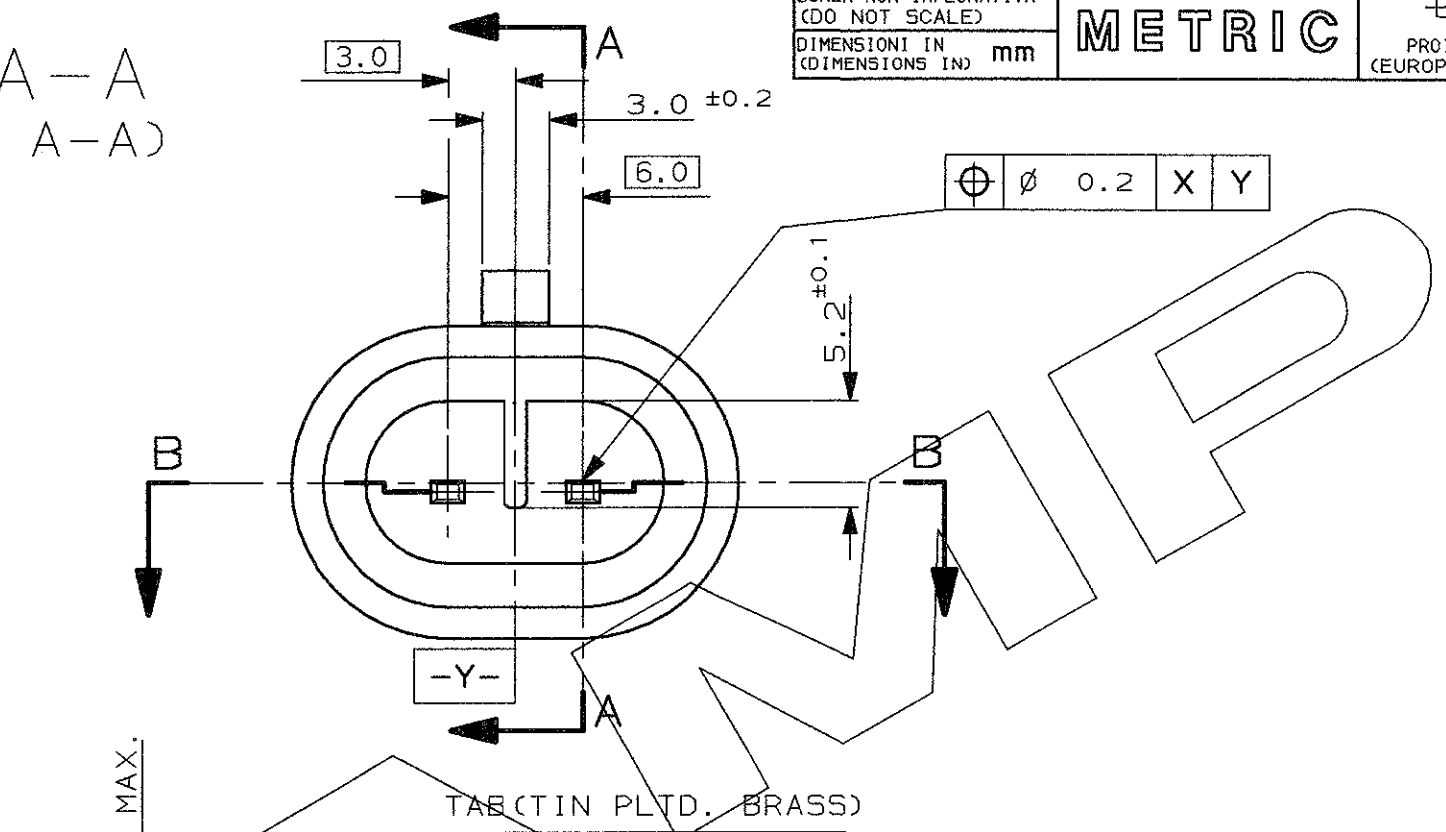
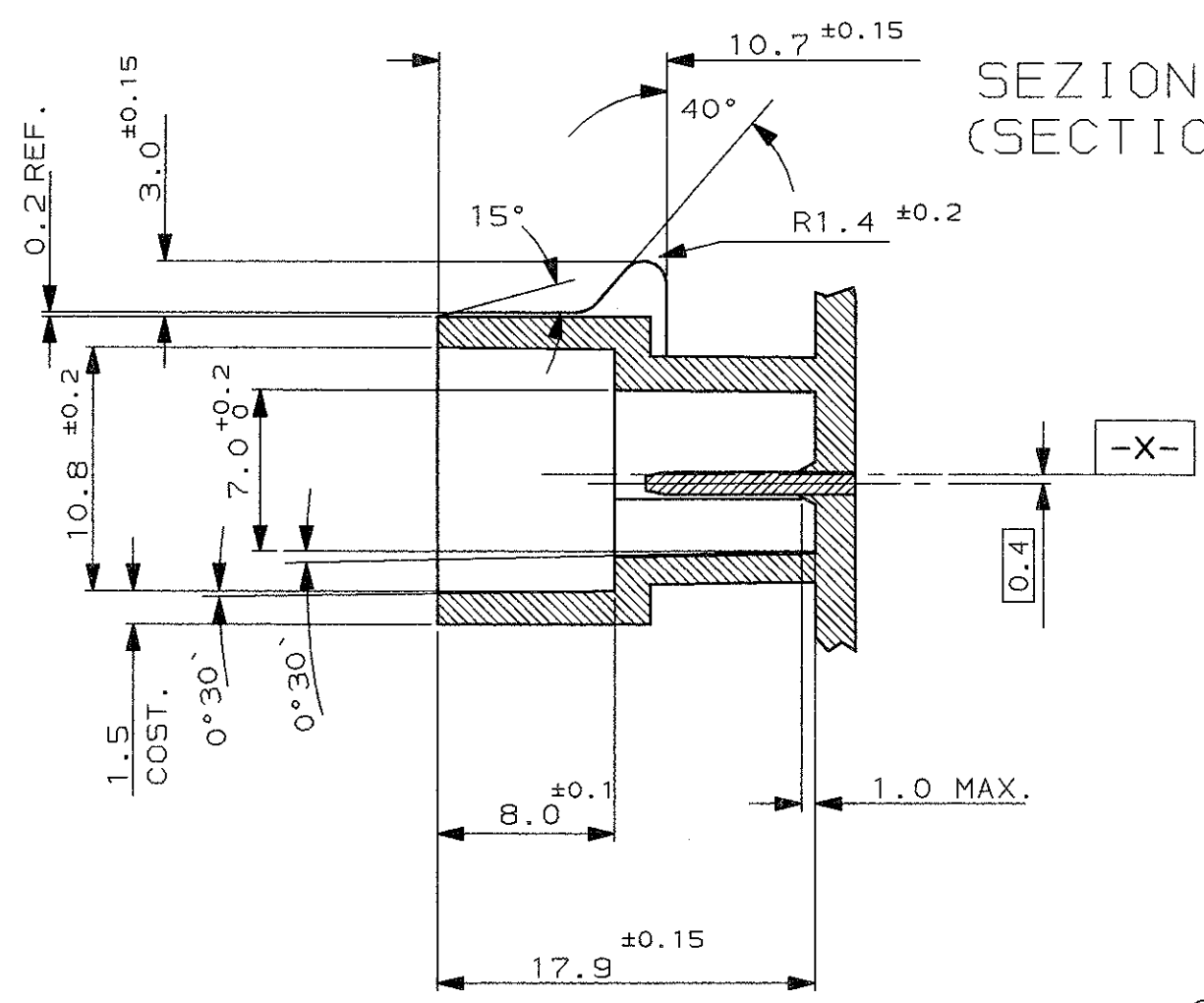
© COPYRIGHT 19 BY AMP INCORPORATED, HARRISBURG, PA. ALL INTERNATIONAL RIGHT RESERVED. AMP PRODUCTS MAY BE COVERED BY U.S. AND FOREIGN PATENT AND/OR PATENT PENDING

C2	REVISED BY ET00-0092-00	M.C.	04 APR 2000
C1	REVISED BY ET00-0072-98	M.P.	7-4 98
C	UP-DATED ET00-0490-97	C.B.	10-1 97
B	UP DATED ET00-0266-96	C.B.	6-6 1996
A	ADDED TRUE POS.TOL. (SHEET 2 of 2) ET00-0125-94	C	4 94
4	AGGIORNATO	C	10 92
3	AGGIUNTO PN. ...-2	C	2 91
2	MODIFIED	C	2 91
REV.	REVISIONI (REVISION RECORD)	DIS. (DR)	DATA (DATE)

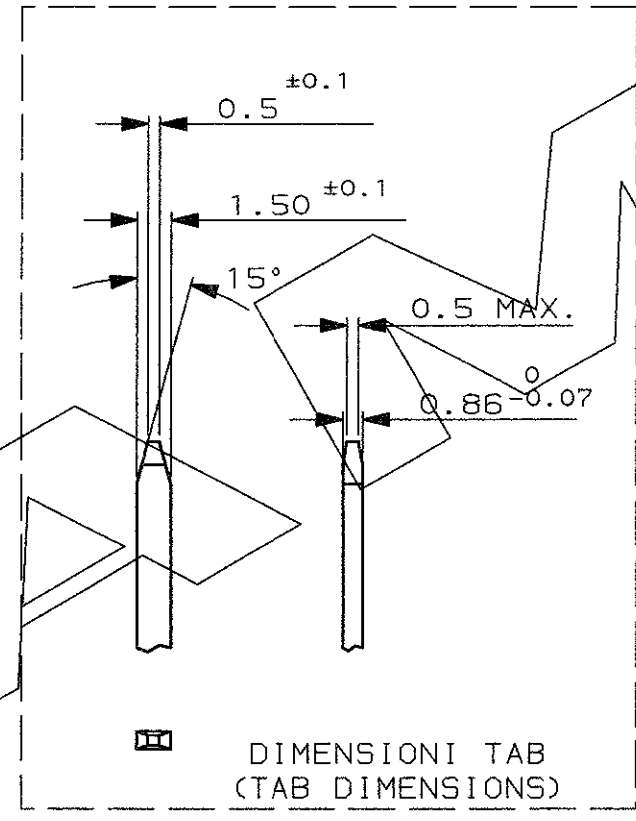
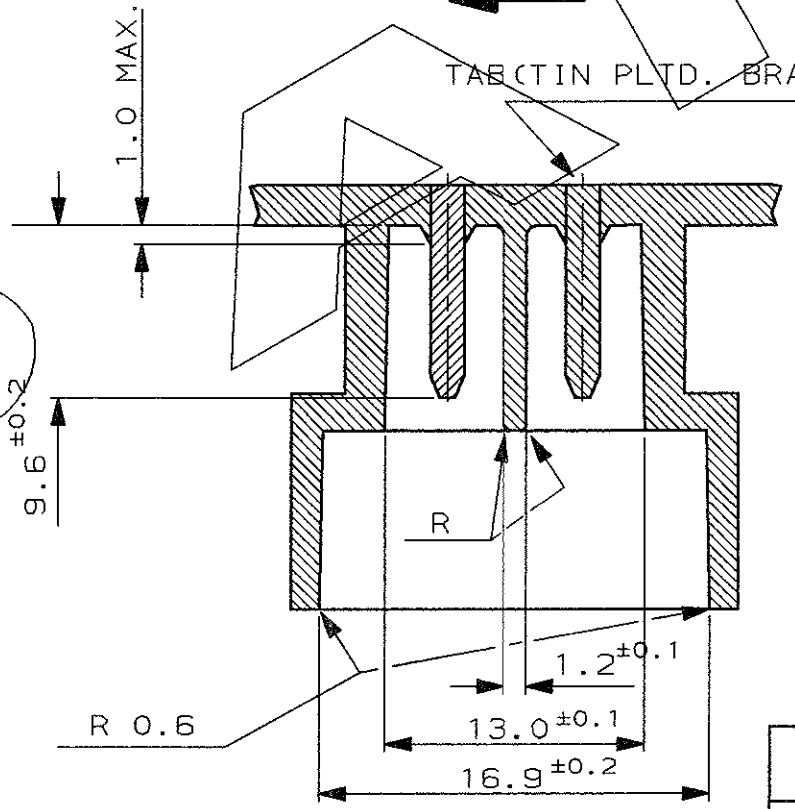
TOLLERANZE, SE NON DIVERSAMENTE SPECIFICATO (TOLERANCES, UNLESS OTHERWISE SPECIFIED)	DIAM. ISOLANTE (INS. DIA. RANGED)	RANGO FILO (WIRE RANGE)	SCALA (SCALE)
± 0.3	-	-	-
ANGOLI (ANGLES)	AMP		
± 2°	AMP ITALIA S.p.A. Corso F.lli Cervi, 15 COLLEGNO (TORINO)		
DIS. (DR.)	7-90	DESCRIZIONE (DESCRIPTION) 2 POS.PLUG ASS'Y	
CONT. (CHK)	-	AMP SUPERSEAL 1.5 SERIES CONNECTORS	
APP. (APP.)	A. BRUNI	LOC. SIZE (DWG NO)	REV. FOGLIO (SHEET)
7-90	I A3	C-282080	C2 1 DI (OF) 2

DISTRIBUZIONE
(PRINT DIST.)

SEZIONE A-A
 (SECTION A-A)



SEZIONE B-B
 (SECTION B-B)



	PA 6.6 CAR. VETRO (PA 6.6 G.F.)	
FINITURA / COLORE (FINISH / COLOUR)	MATERIALE (MATERIAL)	NUMERO (PART NUMBER)
CUSTOMER DWG. FOR REFERENCE ONLY		DISEGNO PER CLIENTE SOLO PER RIFERIMENTO
-THIS DRAWING IS UNPUBLISHED-		RELEASE FOR PUBLICATION 19
© BY AMP INCORPORATED, HARRISBURG, PA. ALL INTERNATIONAL RIGHT RESERVED. AMP PRODUCTS MAY BE COVERED BY U.S. AND FOREIGN PATENT AND/OR PATENT PENDING		
TOLLERANZE: SE NON DIVERSAMENTE SPECIFICATO (TOLERANCES: UNLESS OTHERWISE SPECIFIED)	DIAM. ISOLANTE (INS. DIA. RANGE)	RANGO FILO (WIRE RANGE)
± 0.3	-	-
ANGOLI (ANGLES)	SCALA (SCALE)	
± 2°	AMP AMP ITALIA S.p.A. Corso F.lli Cervi, 15 COLLEGNO (TORINO)	
DIS. - (DR.)	DESCRIZIONE (DESCRIPTION) 2 POS. PLUG ASS'Y	
CONT. - (CHK)	AMP SUPERSEAL 1.5 SERIES CONNECTORS	
APP. (APP.)	LOC. SIZE NUMERO (DWG NO)	REV. FOGLIO (SHEET)
(SEE SHEET 1 OF 2)	I A3 C-282080	C2 2 DI (OF) 2
REV. (REV.)	REVISIONI (REVISION RECORD)	DIS. DATA (DR) (DATE)

DISTRIBUZIONE
 (PRINT DIST.)

VEDERE FOGLIO 1 DI 2 (SEE SHEET 1 OF 2)
REV. (REV.)
REVISIONI (REVISION RECORD)
DIS. DATA (DR) (DATE)