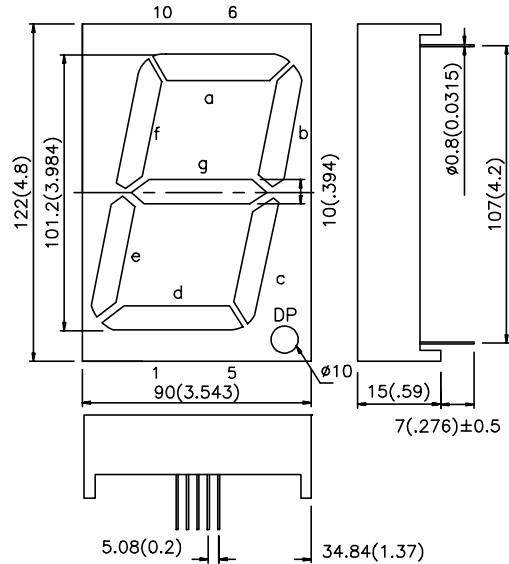
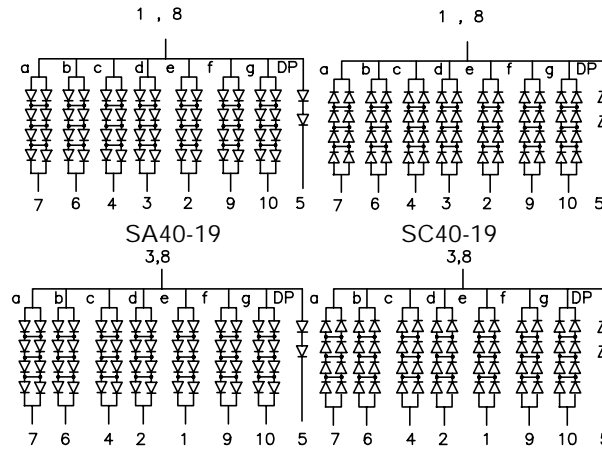


SA/SC40 Series



SA40-18

SC40-18



NOTES:

1. All dimensions are in millimeters (inches)
2. Tolerance is $\pm 0.25\text{mm}$ (0.01") unless otherwise noted.