



PART NO.

LED 2F

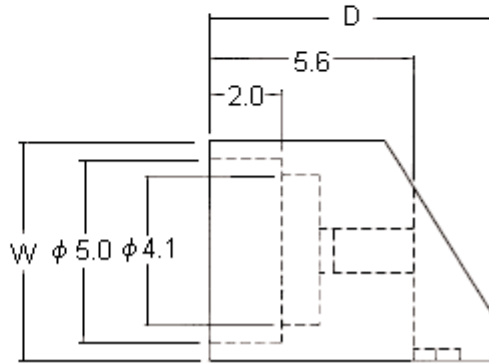
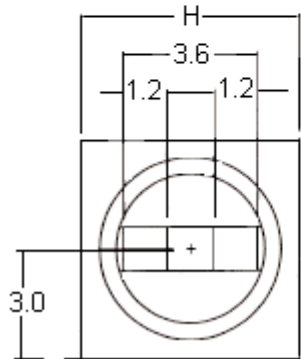
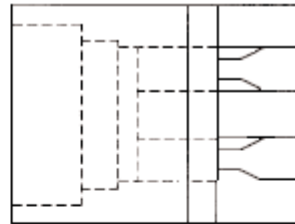
REVISIONS

ECN #	REV	DESCRIPTION	DRAWN	DATE	CHECKD	DATE	APPRVD	DATE
-	A	RELEASED	Suresh	31/5/05	Shashi	31/5/05	NK	14/6/05

Specifications

Type	Height (H)	Width (W)	Depth (D)	Part Number
Right Angle LED Holder	6		7.8	LED 2F

Dimensions : Millimetres



Dimensions : Millimetres

This data sheet and its contents (the "Information") belong to the Premier Farnell Group (the "Group") or are licensed to it. No licence is granted for the use of it other than for information purposes in connection with the products to which it relates. No licence of any intellectual property rights is granted. The Information is subject to change without notice and replaces all data sheets previously supplied. The Information supplied is believed to be accurate but the Group assumes no responsibility for its accuracy or completeness, any error in or omission from it or for any use made of it. Users of this data sheet should check for themselves the Information and the suitability of the products for their purpose and not make any assumptions based on information included or omitted. Liability for loss or damage resulting from any reliance on the Information or use of it (including liability resulting from negligence or where the Group was aware of the possibility of such loss or damage arising) is excluded. This will not operate to limit or restrict the Group's liability for death or personal injury resulting from its negligence. MULTICOMP is the registered trademark of the Group. © Premier Farnell plc 2004.

TOLERANCES:

UNLESS OTHERWISE SPECIFIED, DIMENSIONS ARE FOR REFERENCE PURPOSES ONLY.

DRAWN BY:	DATE:
Suresh	31/05/05
CHECKED BY:	DATE:
Shashi	31/05/05
APPROVED BY:	DATE:
NK	14/06/05

DRAWING TITLE:

LED 2F - 3 Pin Right Angle 3mm

SIZE <b>A</b>	DWG NO. M100000049	ELECTRONIC FILE 3144_DWG	REV
SCALE: NTS	U.O.M.: mm	SHEET: 1 OF 2	



PART NO.

LED 2F

REVISIONS

ECN #	REV	DESCRIPTION	DRAWN	DATE	CHECKD	DATE	APPRVD	DATE
-	A	RELEASED	Suresh	31/5/05	Shashi	31/5/05	NK	14/6/05

Notes:

International Sales Offices:

<b>AUSTRALIA</b> - Farnell InOne Tel No: ++ 61 2 9645 8888 Fax No: ++ 61 2 9644 7898	<b>GERMANY</b> - Farnell InOne Tel No: ++ 49 89 61 39 39 39 Fax No: ++ 49 89 613 59 01	<b>SINGAPORE</b> - Farnell-Newark InOne Tel No: ++ 65 6788 0200 Fax No: ++ 65 6788 0300
<b>AUSTRIA</b> - Farnell InOne Tel No: ++ 43 662 2180 680 Fax No: ++ 43 662 2180 670	<b>HONG KONG</b> - Farnell-Newark InOne Tel No: ++ 852 2268 9888 Fax No: ++ 852 2268 9899	<b>SPAIN</b> - Farnell InOne Tel No: ++ 34 93 475 8805 Fax No: ++ 34 93 474 5107
<b>BELGIUM</b> - Farnell InOne Tel No: ++ 32 3 475 2810 Fax No: ++ 32 3 227 3648	<b>IRELAND</b> - Farnell InOne Tel No: ++ 353 1 830 9277 Fax No: ++ 353 1 830 9016	<b>SWEDEN</b> - Farnell InOne Tel No: ++ 46 8 730 50 00 Fax No: ++ 46 8 83 52 62
<b>BRAZIL</b> - Farnell-Newark InOne Tel No: ++ 55 11 4066 9400 Fax No: ++ 55 11 4066 9410	<b>ITALY</b> - Farnell InOne Tel No: ++ 39 02 93 995 200 Fax No: ++ 39 02 93 995 300	<b>SWITZERLAND</b> - Farnell InOne Tel No: ++ 41 1 204 64 64 Fax No: ++ 41 1 204 64 54
<b>CHINA</b> - Farnell-Newark InOne Tel No: ++86 10 6238 5152 Fax No: ++86 10 6238 5022	<b>MALAYSIA</b> - Farnell-Newark InOne Tel No: ++ 60 3 7873 8000 Fax No: ++ 60 3 7873 7000	<b>UK</b> - Farnell InOne Tel No: ++ 44 8701 200 200 Fax No: ++ 44 8701 200 201
<b>DENMARK</b> - Farnell InOne Tel No: ++ 45 44 53 66 44 Fax No: ++ 45 44 53 66 06	<b>NETHERLANDS</b> - Farnell InOne Tel No: ++ 31 30 241 7373 Fax No: ++ 31 30 241 7333	<b>UK - BuckHickman InOne</b> ++ 44 8450 510 150 ++ 44 8450 510 130
<b>ESTONIA</b> - Farnell InOne Tel No: ++ 358 9 560 7780 Fax No: ++ 358 9 345 5411	<b>NEW ZEALAND</b> - Farnell InOne Tel No: ++ 64 9 357 0646 Fax No: ++ 64 9 357 0656	<b>UK - CPC</b> ++ 44 8701 202 530 ++ 44 8701 202 531
<b>FINLAND</b> - Farnell InOne Tel No: ++ 358 9 560 7780 Fax No: ++ 358 9 345 5411	<b>NORWAY</b> - Farnell InOne Tel No: ++ 45 44 53 66 66 Fax No: ++ 45 44 53 66 02	
<b>FRANCE</b> - Farnell InOne Tel No: ++ 33 474 68 99 99 Fax No: ++ 33 474 68 99 90	<b>PORTUGAL</b> - Farnell InOne Tel No: ++ 34 93 475 8804 Fax No: ++ 34 93 474 5288	

**export** EXPORT - Farnell InOne  
Tel No: ++ 44 8701 200 208  
Fax No: ++ 44 8701 200 209  
For enquiries from all other markets

<http://www.farnellinone.com>  
<http://www.buckhickmaninone.com>  
<http://www.cpc.co.uk>

This data sheet and its contents (the "Information") belong to the Premier Farnell Group (the "Group") or are licensed to it. No licence is granted for the use of it other than for information purposes in connection with the products to which it relates. No licence of any intellectual property rights is granted. The Information is subject to change without notice and replaces all data sheets previously supplied. The Information supplied is believed to be accurate but the Group assumes no responsibility for its accuracy or completeness, any error in or omission from it or for any use made of it. Users of this data sheet should check for themselves the Information and the suitability of the products for their purpose and not make any assumptions based on information included or omitted. Liability for loss or damage resulting from any reliance on the Information or use of it (including liability resulting from negligence or where the Group was aware of the possibility of such loss or damage arising) is excluded. This will not operate to limit or restrict the Group's liability for death or personal injury resulting from its negligence. MULTICOMP is the registered trademark of the Group. © Premier Farnell plc 2004.

**TOLERANCES:**  
**UNLESS OTHERWISE SPECIFIED, DIMENSIONS ARE FOR REFERENCE PURPOSES ONLY.**

<b>DRAWN BY:</b>	<b>DATE:</b>
Suresh	31/05/05
<b>CHECKED BY:</b>	<b>DATE:</b>
Shashi	31/05/05
<b>APPROVED BY:</b>	<b>DATE:</b>
NK	14/06/05

<b>DRAWING TITLE:</b>			
LED 2F - 3 Pin Right Angle 3mm			
<b>SIZE</b>	<b>DWG NO.</b>	<b>ELECTRONIC FILE</b>	<b>REV</b>
A	M100000049	3144_DWG	
<b>SCALE: NTS</b>	<b>U.O.M.: mm</b>	<b>SHEET: 2 OF 2</b>	