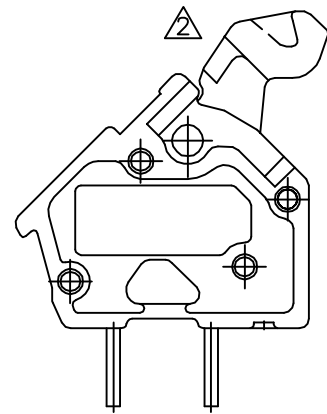
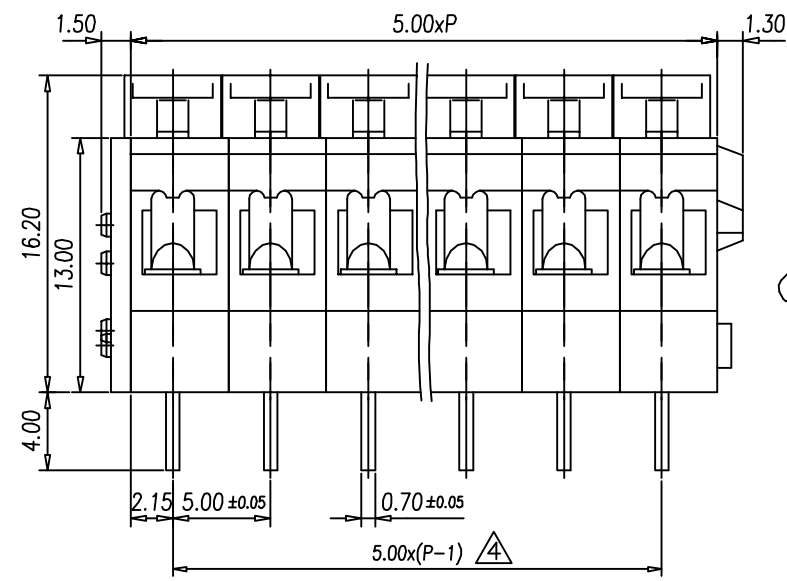
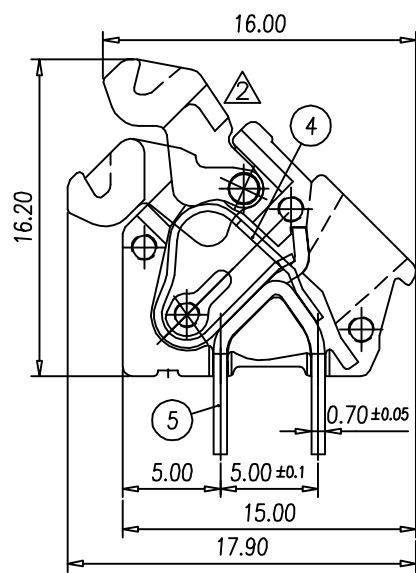


P.C.B. LAYOUT(REF)



NOTES:

1. Rating: 300V 15A
PITCH: 5.00mm
2. Insulation Withstands Voltage:
AC 2500V/MIN
3. Insulation Resistance:
1000M Ω or more at DC500V
4. Using Temperature Range:
-40°C~+105°C
5. Suitable Electric Wire: AWG 28~12
6. Undimensioned Tolerances:

\pm	\sim	∇	0.05/10
\perp	\parallel	\equiv	0.2/10
PITCH ERROR			0.05/10
UNDIMENSIONS TOLERANCES			± 0.3

ITEM	NAME OF PART	NO. OF PART	Q'TY	MATERIAL	NOTES
5	SOLDER PIN	0119B00100	P	COPPER	Tin Plated
4	CLAMP	X00003100	P	Stainless Steel	
3	END COVER	0119L1XX00	1	PA66(V0)	M001
2	LEVER	0119L0XX00	P	POM PA66(G30)	W005 WHITE
1	HOUSING	0119A1XX00	P	PA66(V0)	M001

REV.	CONTENT	CHK.	DATE	DWG.	DATE	UNITS	SCALE	NAME	DWG NO.
4	工程變更	YFY	03.11.03	DWG.	99,10,15	mm	3.5:1 (:)	20.3000M	1/2
3	工程變更	張普	03.09.01	CHK.					
2	工程變更	李衛紅	01.12.20	APP.					
1	修改料號	蔣雪嬌	00.05.18						

