

FIRST ANGLE PROJECTION

Modifications

Iss

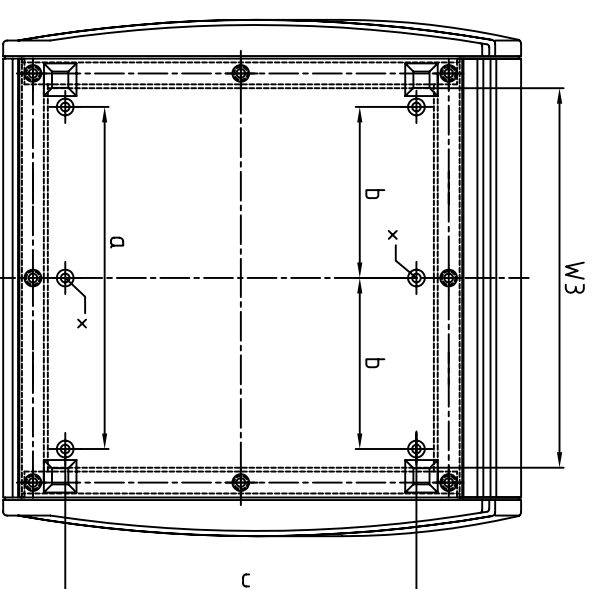
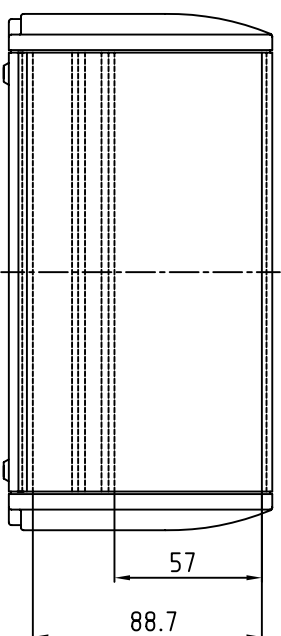
1

2

Notes added about the introduction of pull-up M3 fasteners to secure front panel & base panel.

3

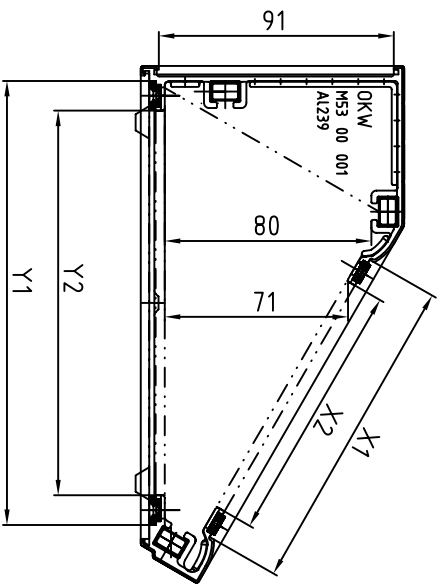
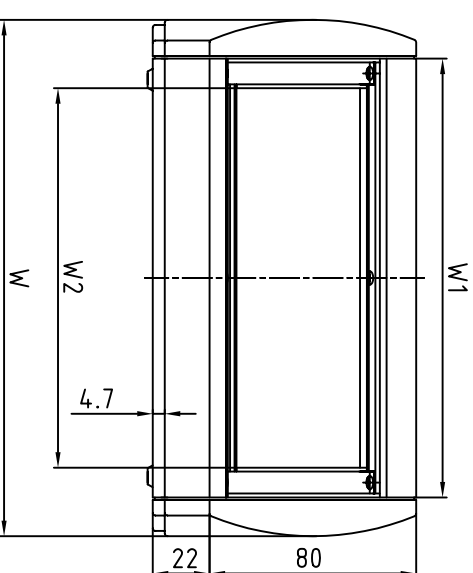
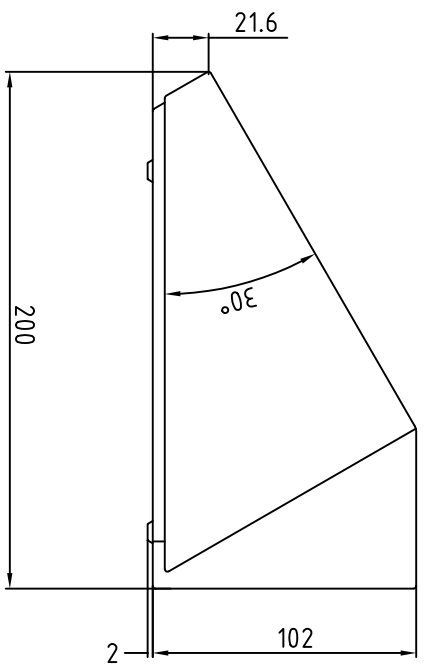
M300 case has 4 off extra pullup inserts to allow 8 off fixing points for the front panel.
Ian - February '07.



W	a	b	c
200	132.5	-	136
300	232.5	116.25	136
400	332.5	166.25	136

Size Drawn

x Holes not on W=200



Part No.	W	W1	Size	W2	W3	X1	X2	Y1	Y2
M53 20 105	200	170	S	14.7	14.7	124	101	172	14.9
M53 30 105	300	270	M	24.7	24.7	124	101	172	14.9
M53 40 105	400	370	L	34.7	34.7	124	101	172	14.9

From May 2006, all cases are supplied with pull-up M3 fasteners to secure the front panel & base panel, rather than the original plastic M3 inserts. The quantity fitted is as follows:

Size	Part No	Front Pnl	Base Pnl
M200	M53 20 105	4	8
M300	M53 30 105	8	10
M400	M53 40 105	6	12

Tolerances unless otherwise stated:

General tolerances ±0.20
Resultant tolerances between hole centers ±0.15
Tolerances on hole diameters ±0.05
Angles ± 0.5°
Surface finish 32/

Required Finish: RAL 7035 L/Text Powder Coat

Scale: Drawn by: Ian Cox

Checked By:

Drawing Number: 1013

Date drawn: August '05

Material Spec: Aluminium



www.metcase.com

METCASE ENCLOSURES
Unit 3, Mitchell Close
Segeons-worth East, Fareham,
Hampshire, PO15 5SE, UK.

Part Name: Unidesk Case Assemblies
Part Number: See Table

DO NOT SCALE

OKW ENCLOSURES LTD. (DATE AS SHOWN). THIS DRAWING CONTAINS PROPRIETARY INFORMATION OF OKW ENCLOSURES LTD. AND IS TENDERED SUBJECT TO THE FOLLOWING CONDITIONS: THE INFORMATION BE RETAINED IN CONFIDENCE, NOT BE REPRODUCED OR COPIED, AND NOT BE USED OR INCORPORATED IN ANY PRODUCT, UNLESS PERMISSION IS OBTAINED IN WRITING FROM OKW ENCLOSURES LTD.