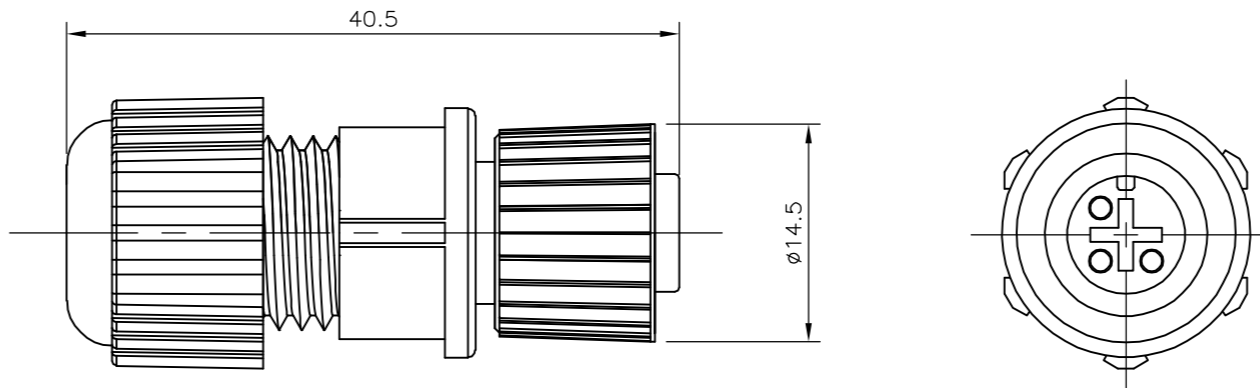
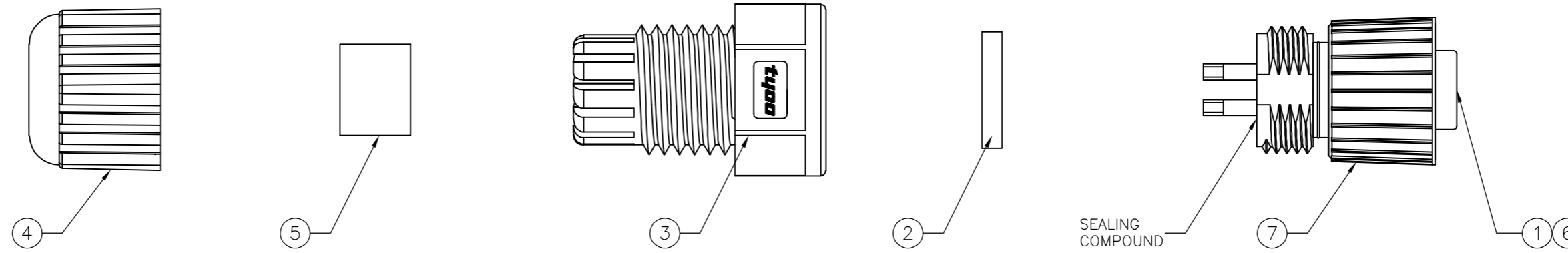


THIS DRAWING IS UNPUBLISHED. RELEASED FOR PUBLICATION 14MAR, 2006.
 © COPYRIGHT 2006 BY TYCO ELECTRONICS CORPORATION. ALL RIGHTS RESERVED.

| Loc | DIST | REVISIONS | | | | | |
|-----|------|-----------|-----|---------------|---------|-----|------|
| | | P | LTR | DESCRIPTION | DATE | DWN | APVD |
| E | B | C | | ECR-07-004803 | 23FEB07 | AM | FWK |

- NOTES:
- ELECTRICAL DATA: CONTACT RESISTANCE: 10 mOhm MAX
 INSULATION RESISTANCE: 100 MOhm MIN at 500VDC
 CURRENT RATING: 5 AMPS (FOR 3, 4 AND 5 POSITIONS) AND 2 AMPS (FOR 8 POSITION ONLY)
 BREAKDOWN VOLTAGE: 500 VAC MIN PER MINUTE
 - ENVIRONMENTAL: OPERATING TEMPERATURE: -25°C TO +90°C
 SEALING REQUIREMENTS: IP67
 - PACKAGING: 107-3334
 - SEAL FOR CABLE OD: ϕ 4.5mm - ϕ 6.5mm
 - FOR TECHNICAL DATA REFER TO YOUR LOCAL TYCO ELECTRONICS SALES OFFICE.
 - ALL DIMENSIONS ARE FOR NOMINAL REFERENCE ONLY UNLESS OTHERWISE STATED.

| ITEM | DESCRIPTION | MATERIAL | FINISH/COLOUR | QUANTITY / ITEM | | |
|------|-------------------|---------------|-------------------------------|-----------------|----|----|
| | | | | -1 | -2 | -3 |
| 1 | CONNECTOR HOUSING | GF NYLON | BLACK | 1 | 1 | 1 |
| 2 | GASKET | SILICONE | BLACK | 1 | 1 | 1 |
| 3 | CONNECTOR BODY | GF NYLON | BLACK | 1 | 1 | 1 |
| 4 | SEALING NUT | GF NYLON | BLACK | 1 | 1 | 1 |
| 5 | SEAL | EPDM | BLACK | 1 | 1 | 1 |
| 6 | SOCKET CONTACT | BRASS | 0.15 μ m GOLD OVER NICKEL | 3 | 4 | 5 |
| 7 | SCREW NUT | ZINC DIE CAST | 2.5 μ m NICKEL PLATED | 1 | 1 | 1 |
| 8 | 'O' RING | VITON | GREEN | 1 | 1 | 1 |

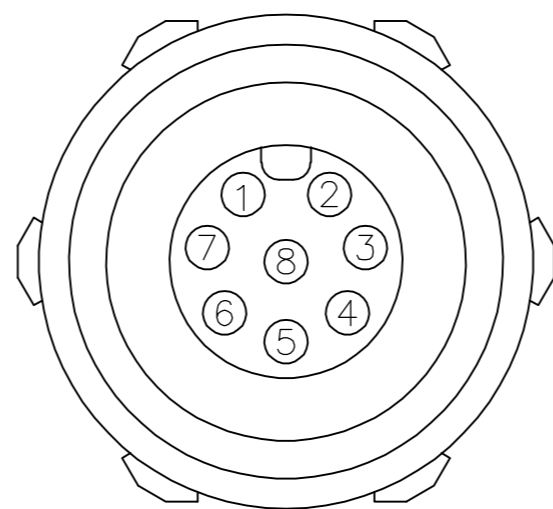
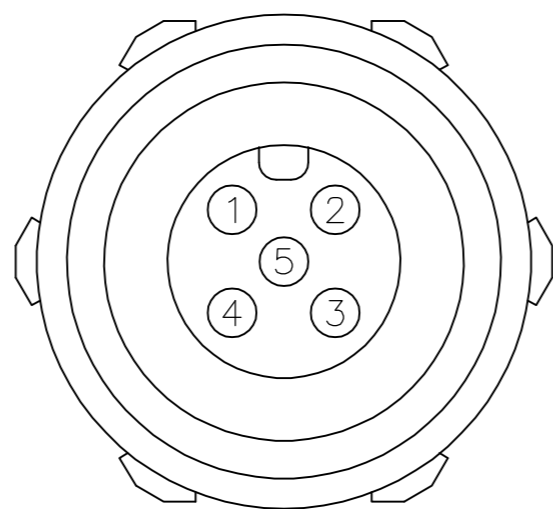
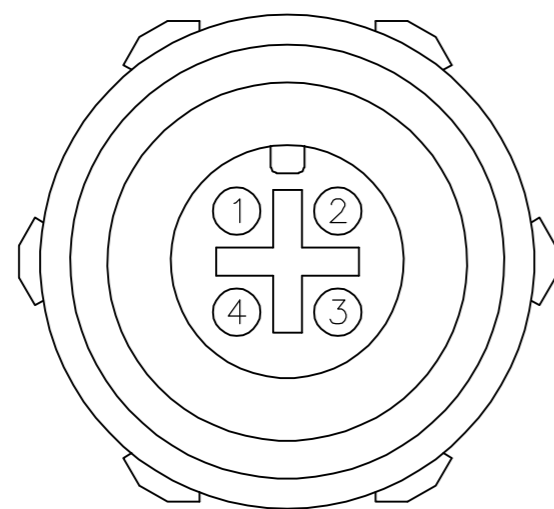
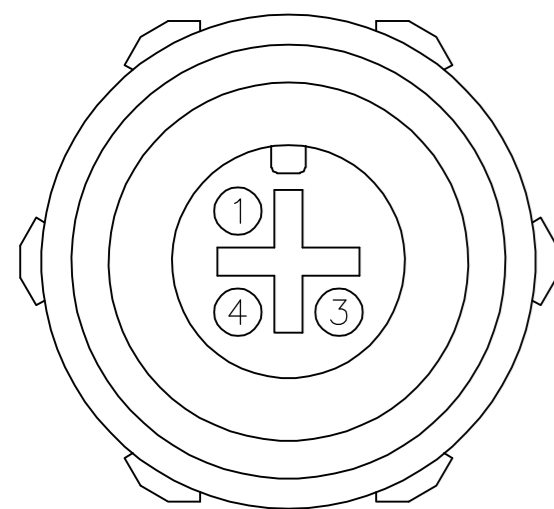


1838274-1
PIN ASSIGNMENTS
FRONT VIEW

1838274-2
PIN ASSIGNMENTS
FRONT VIEW

1838274-3
PIN ASSIGNMENTS
FRONT VIEW

1838274-4
PIN ASSIGNMENTS
FRONT VIEW



| | | |
|---|---|-----------|
| M12 FIELD SERVICEABLE CONNECTOR, FEMALE SOCKET, SOLDER TYPE | 8 | 1838274-4 |
| M12 FIELD SERVICEABLE CONNECTOR, FEMALE SOCKET, SOLDER TYPE | 5 | 1838274-3 |
| M12 FIELD SERVICEABLE CONNECTOR, FEMALE SOCKET, SOLDER TYPE | 4 | 1838274-2 |
| M12 FIELD SERVICEABLE CONNECTOR, FEMALE SOCKET, SOLDER TYPE | 3 | 1838274-1 |

THIS DRAWING IS A CONTROLLED DOCUMENT.

| | | | |
|----------------|---------------------------------------|------------------------------|---|
| DIMENSIONS: mm | TOLERANCES UNLESS OTHERWISE SPECIFIED | DWN A. Morey 14MAR06 | Tyco Electronics Corporation Bideford, UK, EX39 4HE |
| | | CHK F. Wheeler-King 12APR06 | |
| | | APVD F. Wheeler-King 12APR06 | NAME |
| | | MATERIAL | M12 FIELD SERVICEABLE CONNECTOR, FEMALE SOCKET, SOLDER TYPE |
| | | FINISH | SIZE A2 CAGE CODE 00779 DRAWING NO. C=1838274 RESTRICTED TO |
| | | | SCALE NTS SHEET 1 OF 1 REV C |

CUSTOMER DRAWING