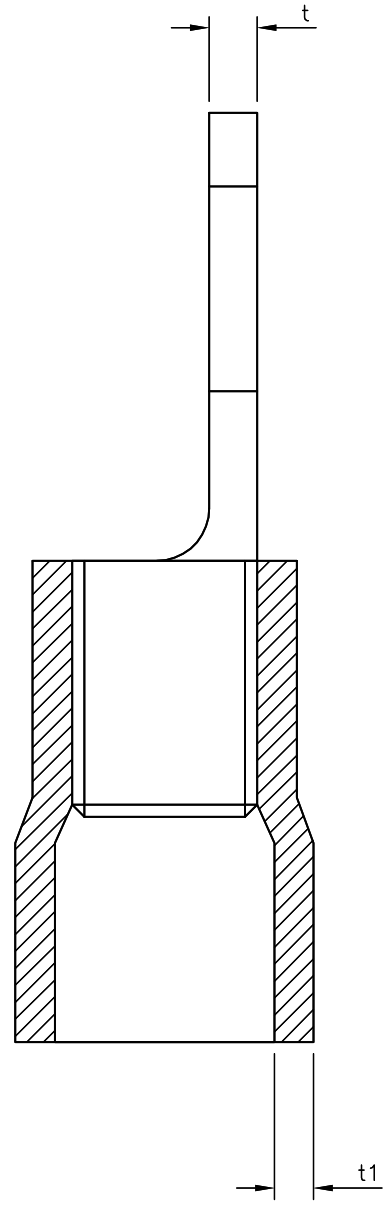
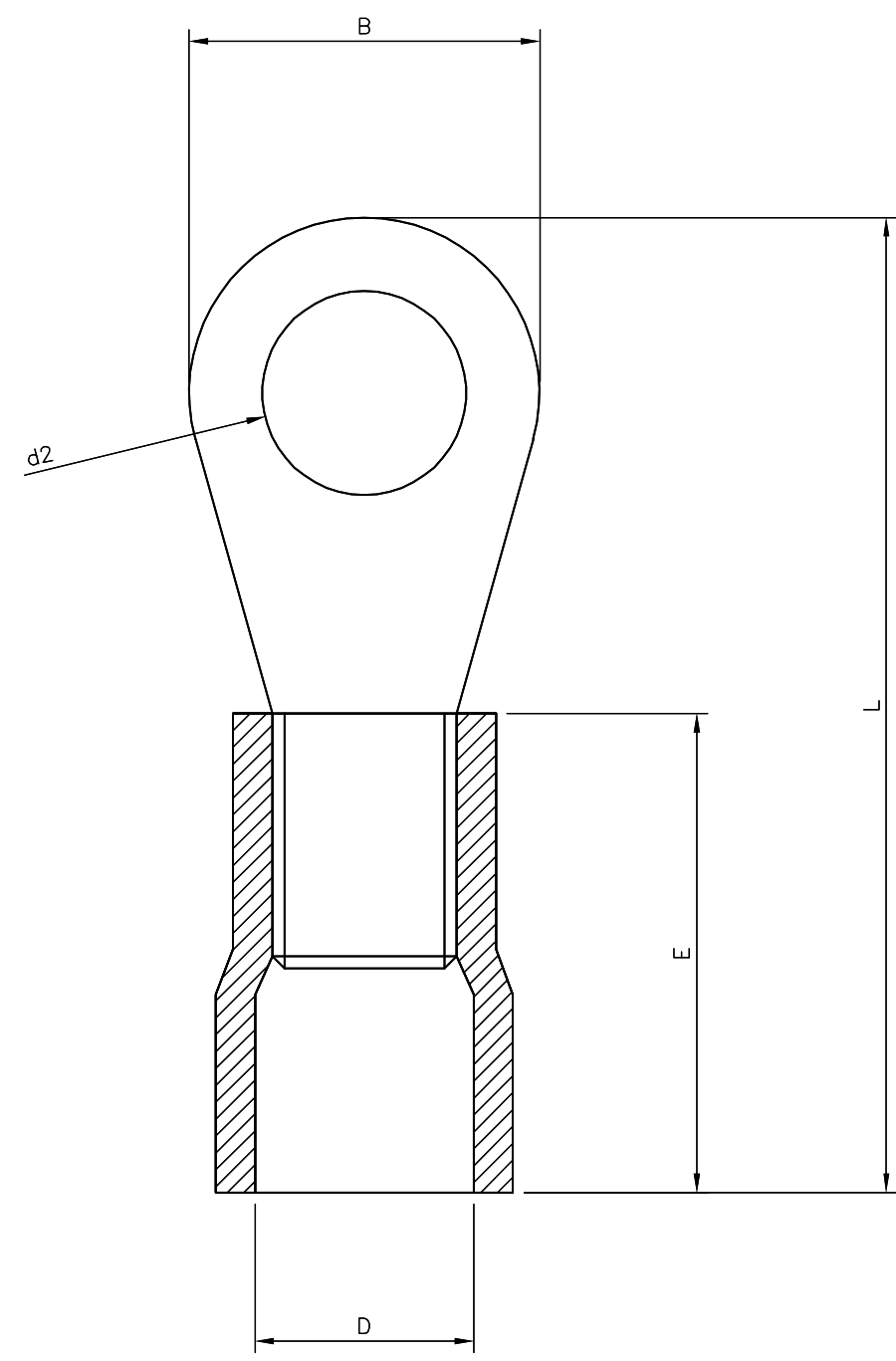


THIS DRAWING IS UNPUBLISHED. RELEASED FOR PUBLICATION 19JUL .2005.  
 © COPYRIGHT 2005 BY TYCO ELECTRONICS CORPORATION. ALL RIGHTS RESERVED.

| Loc |     | DIST        |  | REVISIONS |     |      |  |
|-----|-----|-------------|--|-----------|-----|------|--|
| P   | LTR | DESCRIPTION |  | DATE      | DWN | APVD |  |
|     | A   | FIRST ISSUE |  | 19JUL05   | KR  | FWK  |  |



- NOTES:
- FOR TECHNICAL DATA REFER TO YOUR LOCAL TYCO ELECTRONICS SALES OFFICE.
  - ALL DIMENSIONS ARE NOMINAL FOR REFERENCE ONLY UNLESS OTHERWISE STATED.
  - FOR PACKAGING DETAILS SEE SHEET 2.
  - UL NUMBER E13288
  - MATERIAL: BODY - COPPER  
SLEEVE - PVC (K65), 94V-0
  - APPLICATION SPEC 114-13196

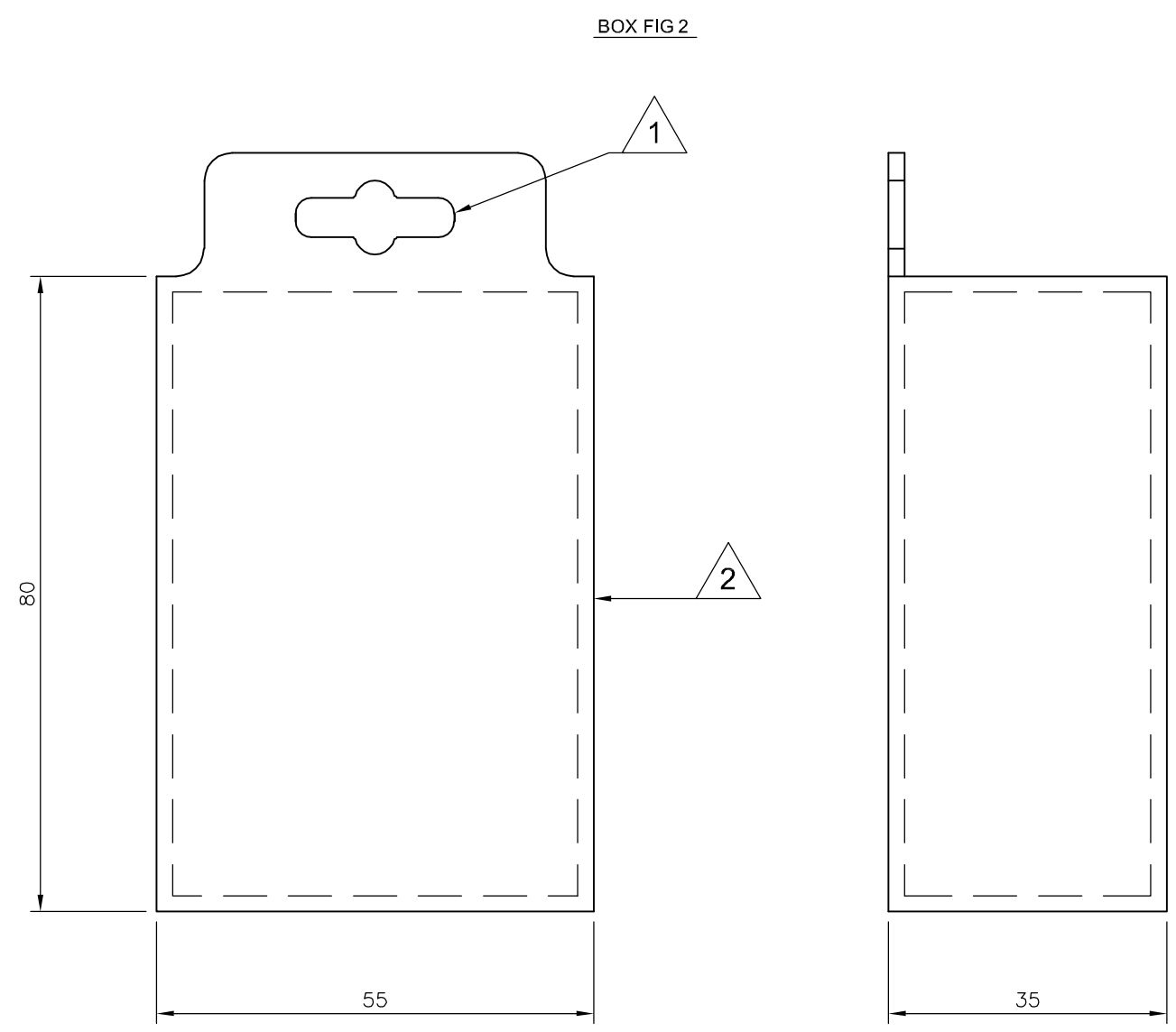
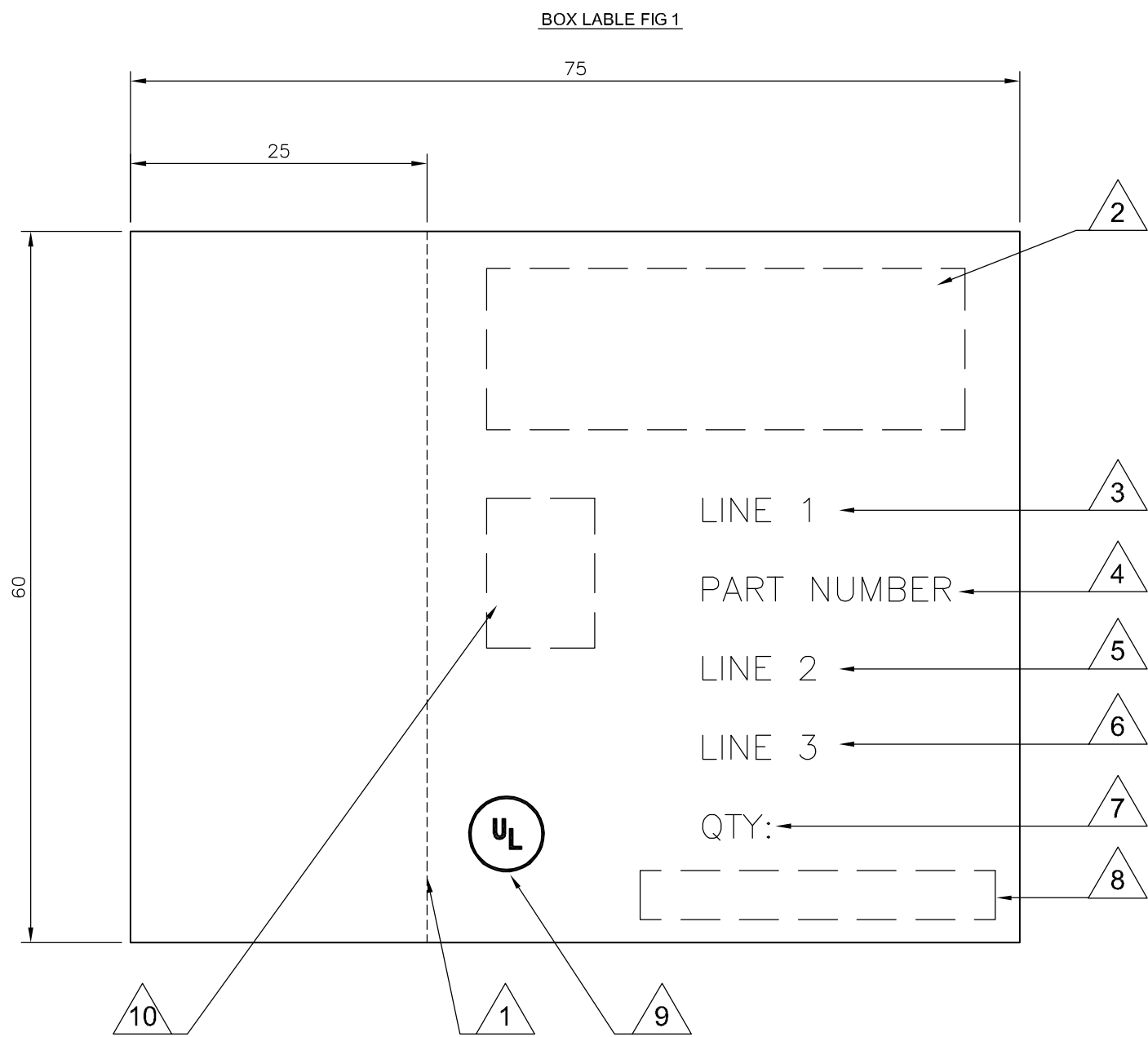
| STOCK NUMBER               | PACKING LABEL DESCRIPTION LINE 3 | PACKING LABEL DESCRIPTION LINE 2 | PACKING LABEL DESCRIPTION LINE 1 | INNER CARTON QTY | QTY       | d2 (±0.20) | B (±0.30) | L (+1.50) | D (+0.50) | E (+1.50) | t (+0.10) | t1 (+0.20) | WIRE SIZE (mmsq) & (AWG)      | STUD SIZE (mm) | DESCRIPTION                      | PART No                    |
|----------------------------|----------------------------------|----------------------------------|----------------------------------|------------------|-----------|------------|-----------|-----------|-----------|-----------|-----------|------------|-------------------------------|----------------|----------------------------------|----------------------------|
| 2-1838161-0<br>1-1838161-0 | 2.5mmsq-6.0mmsq<br>12-10 (AWG)   | 5mm STUD SIZE STANDARD ENTRY     | YELLOW RING TERMINAL (INSULATED) | 1000<br>1750     | 500<br>50 | 5.30       | 9.50      | 26.70     | 6.70      | 14.00     | 1.00      | 0.80       | 2.5mmsq-6.0mmsq<br>12-10(AWG) | 5.0            | YELLOW RING TERMINAL (INSULATED) | 2-1838161-0<br>1-1838161-0 |

THIS DRAWING IS A CONTROLLED DOCUMENT.

|                  |  |                                  |  |
|------------------|--|----------------------------------|--|
| DIMENSIONS: mm   | TOLERANCES UNLESS OTHERWISE SPECIFIED: | DWN 19JUL05<br>K.Raghunandan     | Tyco Electronics Corporation<br>Bideford, UK, EX39 4HE                         |
|                  | 0 PLC ± 0.5                            | CHK 04/05/07<br>S. Parlow        |  |
|                  | 1 PLC ± 0.2                            | APVD 04/05/07<br>F. Wheeler-King |  |
|                  | 2 PLC ± 0.1                            | PRODUCT SPEC                     |  |
|                  | 3 PLC ± 0.015                          | APPLICATION SPEC                 | NAME   |
|                  | 4 PLC ± -                              |                                  | EURO-CRIMP INSULATED YELLOW RING TERMINAL<br>2.5mmsq-6.0mmsq / 12-10 AWG RANGE |
|                  | ANGLES ± -                             |                                  | SIZE CAGE CODE DRAWING NO RESTRICTED TO  |
| MATERIAL -       | FINISH -                               | WEIGHT -                         | A2 00779 C=1838161 -   |
| CUSTOMER DRAWING |  |                                  | SCALE NTS SHEET 1 OF 2 REV A   |

THIS DRAWING IS UNPUBLISHED. RELEASED FOR PUBLICATION 19JUL ,2005.  
 © COPYRIGHT 2005 BY TYCO ELECTRONICS CORPORATION. ALL RIGHTS RESERVED.

| LOC |     | DIST        |      | REVISIONS |      |  |  |
|-----|-----|-------------|------|-----------|------|--|--|
| P   | LTR | DESCRIPTION | DATE | DWN       | APVD |  |  |
| -   | -   | SEE SHEET 1 | -    | -         | -    |  |  |



- LABEL NOTES:**
- 1. PERFORATED LINE: DOTTED LINE TO BE ALIGNED WITH OPENING EDGE & FOLDED TO LEFT SIDE OF BOX.
  - 2. LOGO: USE LATEST REVISION OF TYCO COMPANY LOGO.
  - 3. LINE 1: SEE SHEET 1, USE TEXT FROM COLUMN PACKAGING LABEL DESCRIPTION LINE 1.
  - 4. PART NUMBER: FOR 1--0 & 2--0 USE TYCO PART NUMBER.  
1--0 = 1-1838161-0  
2--0 = 2-1838161-0
  - 5. LINE 2: SEE SHEET 1, USE TEXT FROM COLUMN PACKAGING LABEL DESCRIPTION LINE 2.
  - 6. LINE 3: SEE SHEET 1, USE TEXT FROM COLUMN PACKAGING LABEL DESCRIPTION LINE 3.
  - 7. QTY: SEE SHEET 1, USE NUMBER FROM THE COLUMN QTY.
  - 8. EAN BARCODE: USE LATEST TYCO BARCODE SUPPLIED.  
1--0 = TYCO BARCODE  
2--0 = TYCO BARCODE
  - 9. UL: WHERE APPLICABLE USE UL LOGO, SEE SHEET 1.
  - 10. PRODUCT PICTURE: A PRODUCT PICTURE IS REQUIRED.

- BOX NOTES:**
- 1. EURO SLOT: TO BE POSITIONED TO CENTRE ON FRONT COVER.
  - 2. BOX HINGE: FRONT COVER TO BE HINGED ON RIGHT SIDE.
  - 3. SPECIFICATION: COVER TO BE FREE FROM POSSIBLE WARPING & CAPABLE OF BEING RE-SEALED MIN 100 TIMES.
  - 4. LABEL: CORRECT CUSTOMER BOX LABEL TO BE POSITIONED ON THE FRONT COVER WITH THE PERFORATED EDGE ON THE LEFT HAND SIDE.

- PACK SPECIFICATION:**
- 1. CLEAR PLASTIC BOX: PART NUMBER 1--0 TO BE PACKED 50 PARTS PER CLEAR PLASTIC BOX (FIG2) WITH THE CORRECT CUSTOMER LABEL (FIG1), 35 CLEAR PLASTIC BOXES OF THE SAME PART NUMBER ARE TO BE PACKED INTO A SUITABLE INNER CARTON BOX.
  - 2. CLEAR PLASTIC BAG: PART NUMBER 2--0, USE A SUITABLE CLEAR PLASTIC BAG FOR 500 PARTS, POSITION AN APPROPRIATE LABEL AS IN FIG1 BUT WITHOUT THE PERFORATED SIDE, CENTRE OF BAG. 2 BAGS ARE THEN TO BE PACKED INTO A SUITABLE INNER CARTON BOX.
  - 3. INNER CARTON LABEL: LABEL AS PER CLEAR PLASTIC BAG NOTE 2 BUT WITH INNER CARTON QTY 1000 TO BE POSITIONED ON THE SIDE OF THE BOX FOR VIEWING WHEN STORED.

|  |  |                                     |                            |  |                         |
|--|--|-------------------------------------|----------------------------|--|-------------------------|
| THIS DRAWING IS A CONTROLLED DOCUMENT. |  | DWN<br>K.Raghuandan<br>19JUL05      | <b>tyco</b><br>Electronics | Tyco Electronics Corporation<br>Bideford, UK, EX39 4HE                                 |                         |
| DIMENSIONS:<br>mm                      |  | CHK<br>S. Parlow<br>04/05/07        |                            | NAME<br>EURO-CRIMP INSULATED YELLOW RING TERMINAL<br>2.5mmsq-6.0mmsq / 12-10 AWG RANGE |                         |
| TOLERANCES UNLESS OTHERWISE SPECIFIED: |  | APVD<br>F. Wheeler-King<br>04/05/07 | PRODUCT SPEC               |  |                         |
| 0 PLC ± 0.5                            |  | APPLICATION SPEC                    |                            |  |                         |
| 1 PLC ± 0.2                            |  | WEIGHT                              |                            |  |                         |
| 2 PLC ± 0.1                            |  | SCALE                               |                            |  |                         |
| 3 PLC ± 0.015                          |  | SHEET                               |                            |  |                         |
| 4 PLC ± -                              |  | OF                                  |                            |  |                         |
| ANGLES ± -                             |  | REV                                 |                            |  |                         |
| FINISH                                 |  | A                                   |                            |  |                         |
| MATERIAL                               |  | CUSTOMER DRAWING                    |                            |  |                         |
|  |  | SIZE<br>A2                          |                            | CAGE CODE<br>00779   | DRAWING NO<br>C=1838161 |
|  |  | RESTRICTED TO                       |                            |  |                         |

1838161