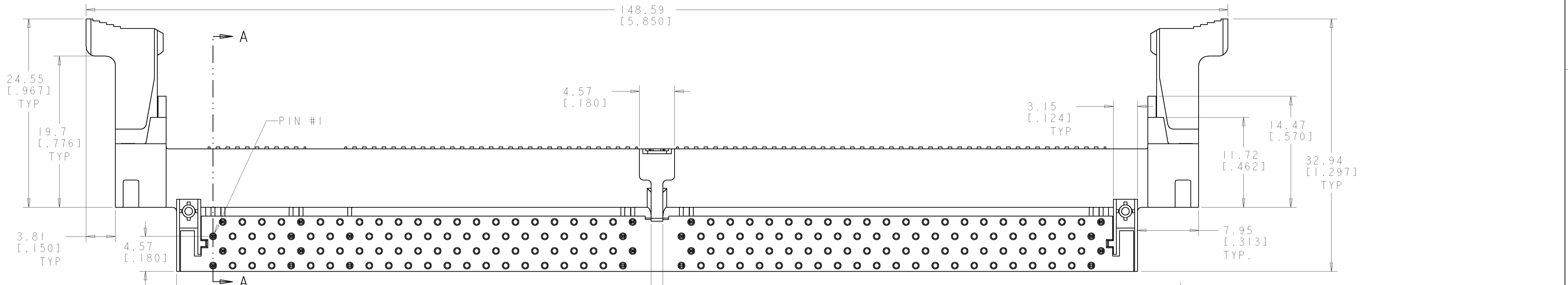
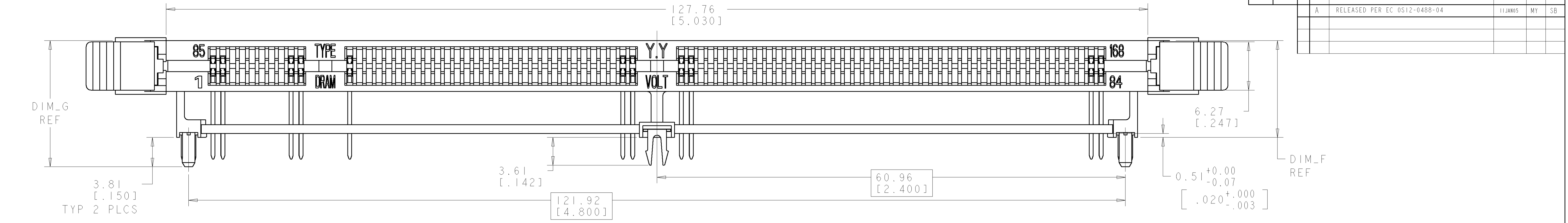
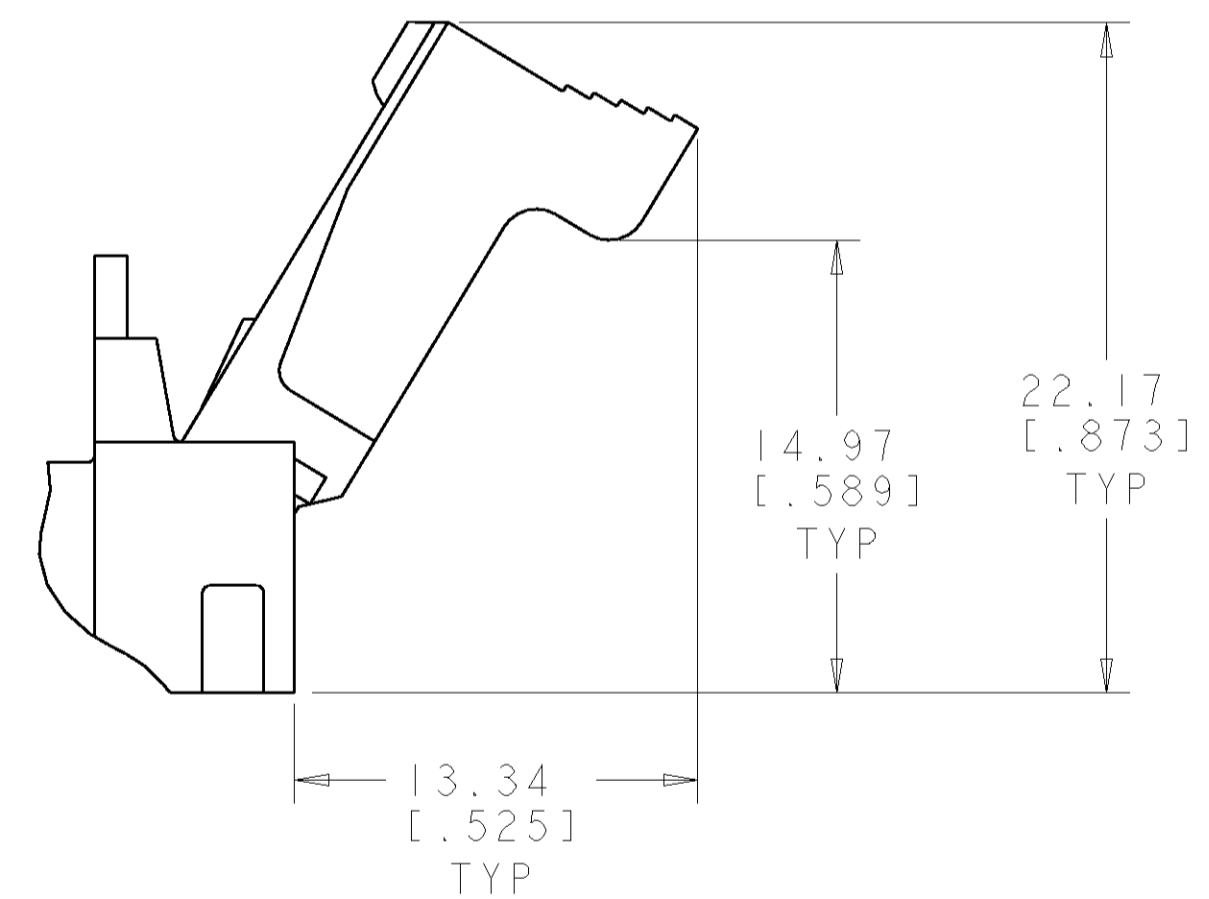


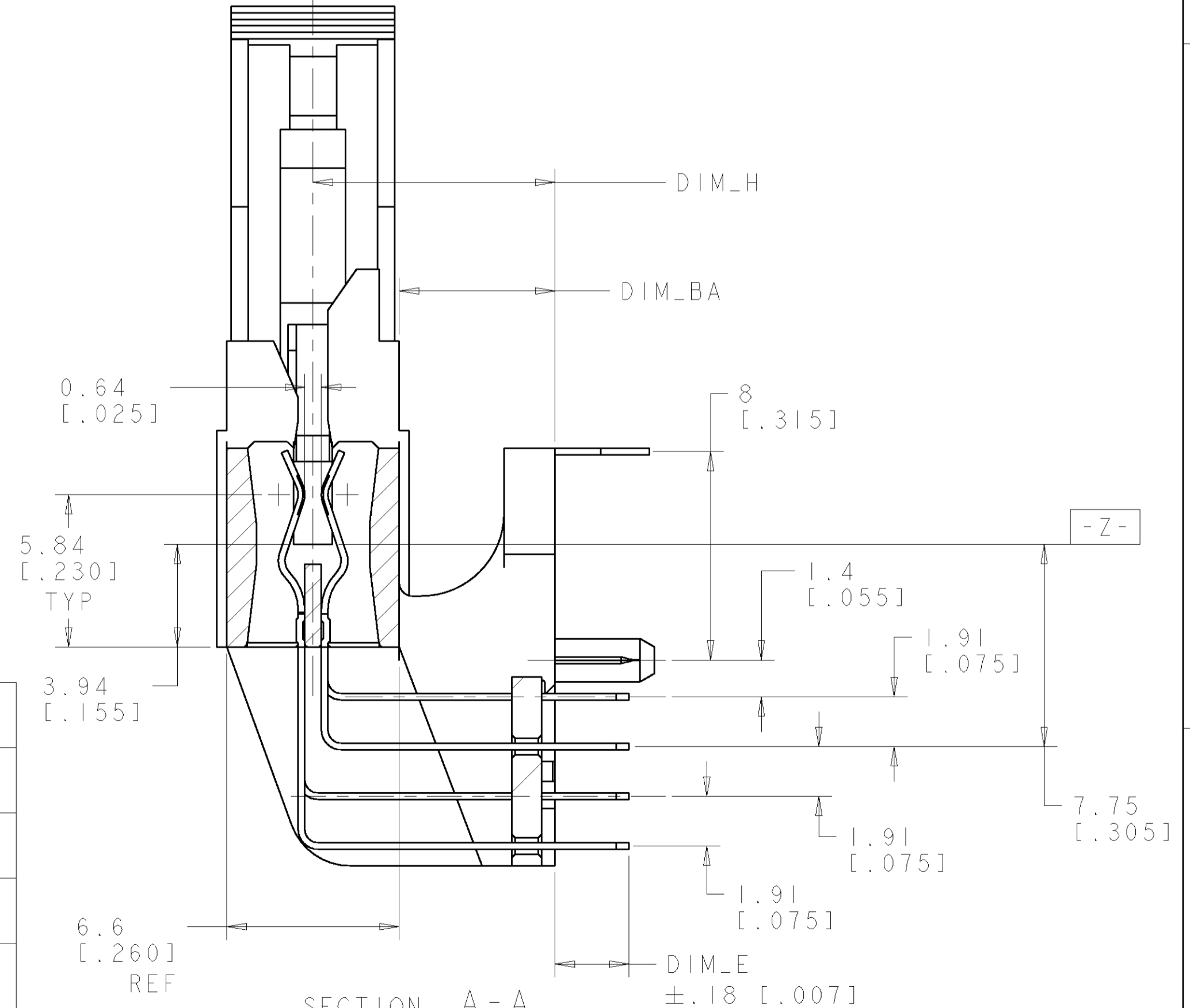
LOC		DIST		REVISIONS			
GP	0	P	LTR	DESCRIPTION	DATE	DWN	APVD
		A		RELEASED PER EC 0512-0488-04	11JAN05	MY	SB



- MATERIAL:**
 HOUSING: HIGH TEMPERATURE NYLON
 CONTACT: PHOSPHOR BRONZE
- FINISH:**
 CONTACT AREA:
 0.00076 [.000030] MIN THICK GOLD OVER
 0.001270 [.000050] MIN THICK NICKEL.
 OR
 0.000076 [.000003] MIN THICK GOLD FLASH OVER
 0.000510 [.000020] MIN THICK PALLADIUM NICKEL OVER
 0.001270 [.000050] MIN THICK NICKEL.
 SOLDER TAIL:
 0.00381 [.000150] MIN THICK MATTE TIN OVER
 0.00064 [.000025] MIN THICK NICKEL.
- FOR OPTIMUM PERFORMANCE, PADS SHOULD BE SMOOTH AND FLAT PADS TO BE PLATED WITH:**
 0.00102 [.000040] MIN THICK GOLD OVER
 0.00127 [.000050] MIN THICK NICKEL.
- 5390171-6 IS SAME CONNECTOR AS 1-5390171-0 EXCEPT WITH LUBRICATED CONTACTS.**



EXTRACTOR SHOWN IN THE OPEN POSITION

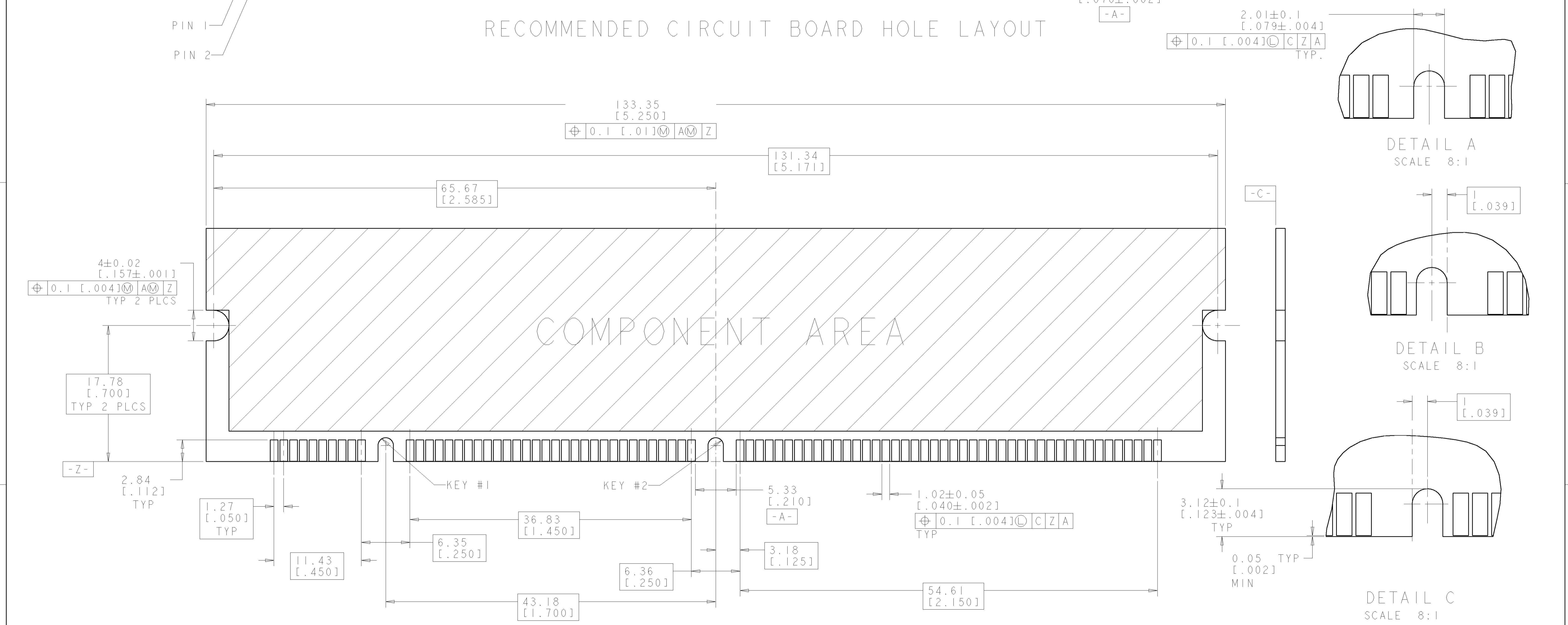
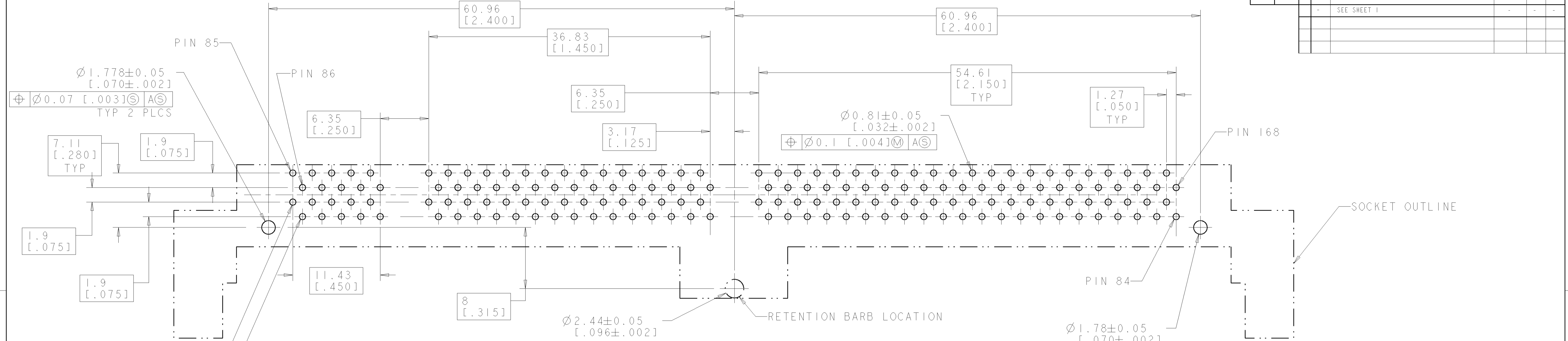


SECTION A-A
 SCALE 6:1

NB	3.3	10.92 [.430]	18.03 [.710]	14.22 [.560]	3.68 [.145]	7.62 [.300]	DETAIL C	DETAIL A	SYNC NON-BUFFERED DRAM, 3.3 VOLT	2-5390171-6	
NB	3.3	10.92 [.430]	18.03 [.710]	14.22 [.560]	3.18 [.125]	7.62 [.300]	DETAIL C	DETAIL A	SYNC NON-BUFFERED DRAM, 3.3 VOLT	1-5390171-6	
SYNC	3.3	10.92 [.430]	18.03 [.710]	14.22 [.560]	3.18 [.125]	7.62 [.300]	DETAIL B	DETAIL A	SYNC DRAM, 3.3 VOLT	1-5390171-5	
STD	3.3	10.92 [.430]	18.03 [.710]	14.22 [.560]	3.18 [.125]	7.62 [.300]	DETAIL A	DETAIL A	STD DRAM, 3.3 VOLT	1-5390171-4	
NB	3.3	9.27 [.365]	16.38 [.645]	12.57 [.495]	2.83 [.112]	5.97 [.235]	DETAIL C	DETAIL A	SYNC NON-BUFFERED DRAM, 3.3 VOLT	1-5390171-0	
NB	3.3	9.27 [.365]	16.38 [.645]	12.57 [.495]	2.83 [.112]	5.97 [.235]	DETAIL C	DETAIL A	SYNC NON-BUFFERED DRAM, 3.3 VOLT	5390171-6	
SYNC	3.3	9.27 [.365]	16.38 [.645]	12.57 [.495]	2.83 [.112]	5.97 [.235]	DETAIL B	DETAIL A	SYNC DRAM, 3.3 VOLT	5390171-5	
STD	3.3	9.27 [.365]	16.38 [.645]	12.57 [.495]	2.83 [.112]	5.97 [.235]	DETAIL A	DETAIL A	STD DRAM, 3.3 VOLT	5390171-4	
TYPE	Y.Y	DIM_H	DIM_G	DIM_F	DIM_E ±.18 [.007]		DIM_BA	KEY #1	KEY #2	PART DESCRIPTION	PART NUMBER

DIMENSIONS: mm [INCHES]		TOLERANCES UNLESS OTHERWISE SPECIFIED:		DWN M. YEOMANS 11JAN05 CHK M. YEOMANS 11JAN05 APVD S. BURKHOLDER 11JAN05		AMP Incorporated Harrisburg, PA 17105-3608	
0 PLC	±	0.13	±	NAME	SOCKET, DIMM., DRO, RT ANGLE, 168 POSITION, 17.78mm LOCKING EXTRACTORS.		
1 PLC	±	0.13	±	PRODUCT SPEC	-		
2 PLC	±	0.13	±	APPLICATION SPEC	-		
3 PLC	±	0.13	±	SIZE	A100779C=5390171		
4 PLC	±	0.13	±	WEIGHT	-		
5 PLC	±	0.13	±	CUSTOMER DRAWING	-		
6 PLC	±	0.13	±	SCALE	4:1		
7 PLC	±	0.13	±	SHEET	1 OF 2		
8 PLC	±	0.13	±	REV	A		

LOC		DIST		REVISIONS			
GP	0	P	LTR	DESCRIPTION	DATE	DRN	APVD
		-	-	SEE SHEET 1	-	-	-



RECOMMENDED MODULE LAYOUT
 SEE JEDEC SPEC. MO-161 FOR COMPLETE MODULE DETAILS
 1.27±0.10 [.050±.004] THICK ACROSS CONTACT PADS

DIMENSIONS: mm [INCHES]		TOLERANCES UNLESS OTHERWISE SPECIFIED: 0 PLC ± 1 PLC ± 2 PLC ± 3 PLC ±0.13 [.005] 4 PLC ± ANGLES ±1°		DRN M. YEOMANS 11JAN05 ENR M. YEOMANS 11JAN05 APVD S. BURKHOLDER 11JAN05		tyco AMP Incorporated Harrisburg, PA 17105-3608 Electronics	
MATERIAL:		FINISH:		PRODUCT SPEC:		NAME: SOCKET, DIMM., DRO, RT ANGLE, 168 POSITION, 17.78mm LOCKING EXTRACTORS.	
CUSTOMER DRAWING		WEIGHT:		APPLICATION SPEC:		SIZE: CAGE CODE DRAWING NO. RESTRICTED TO A100779C-5390171	
SCALE: 1:1		SHEET: 2 OF 2		REV: A		DATE:	