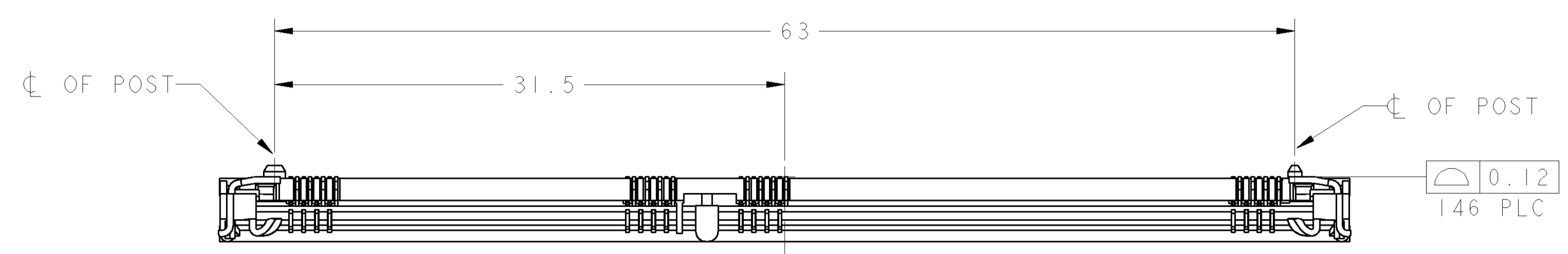
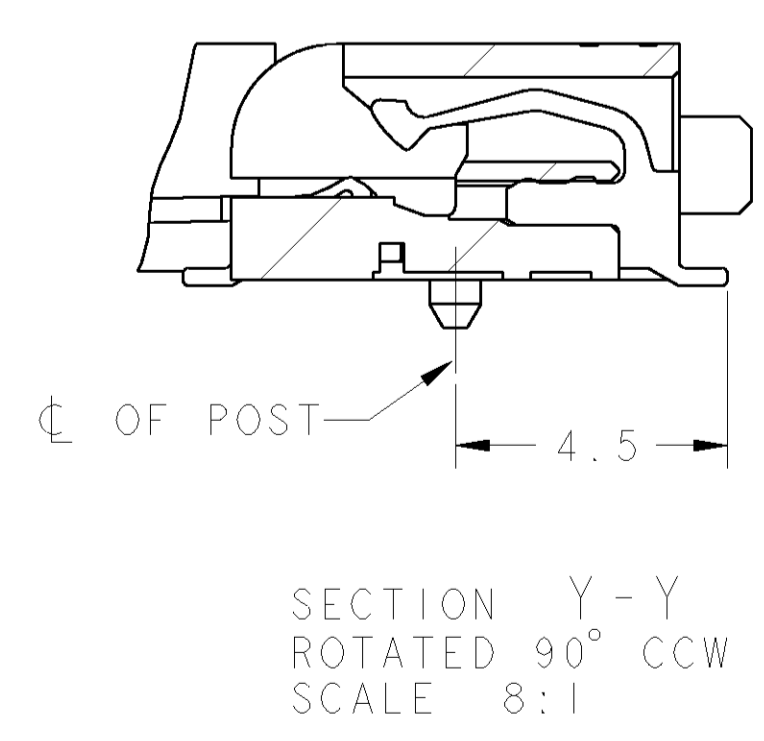
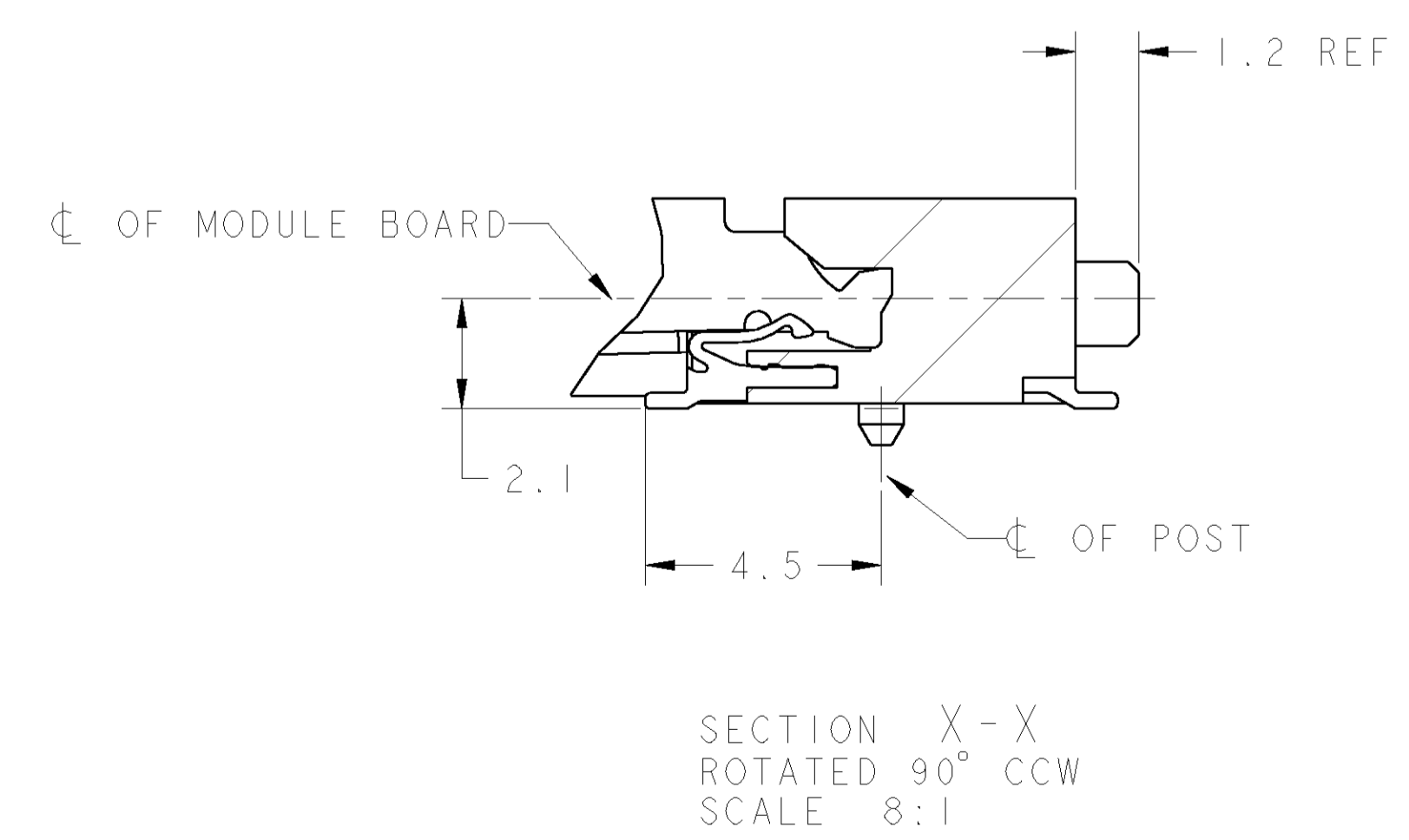
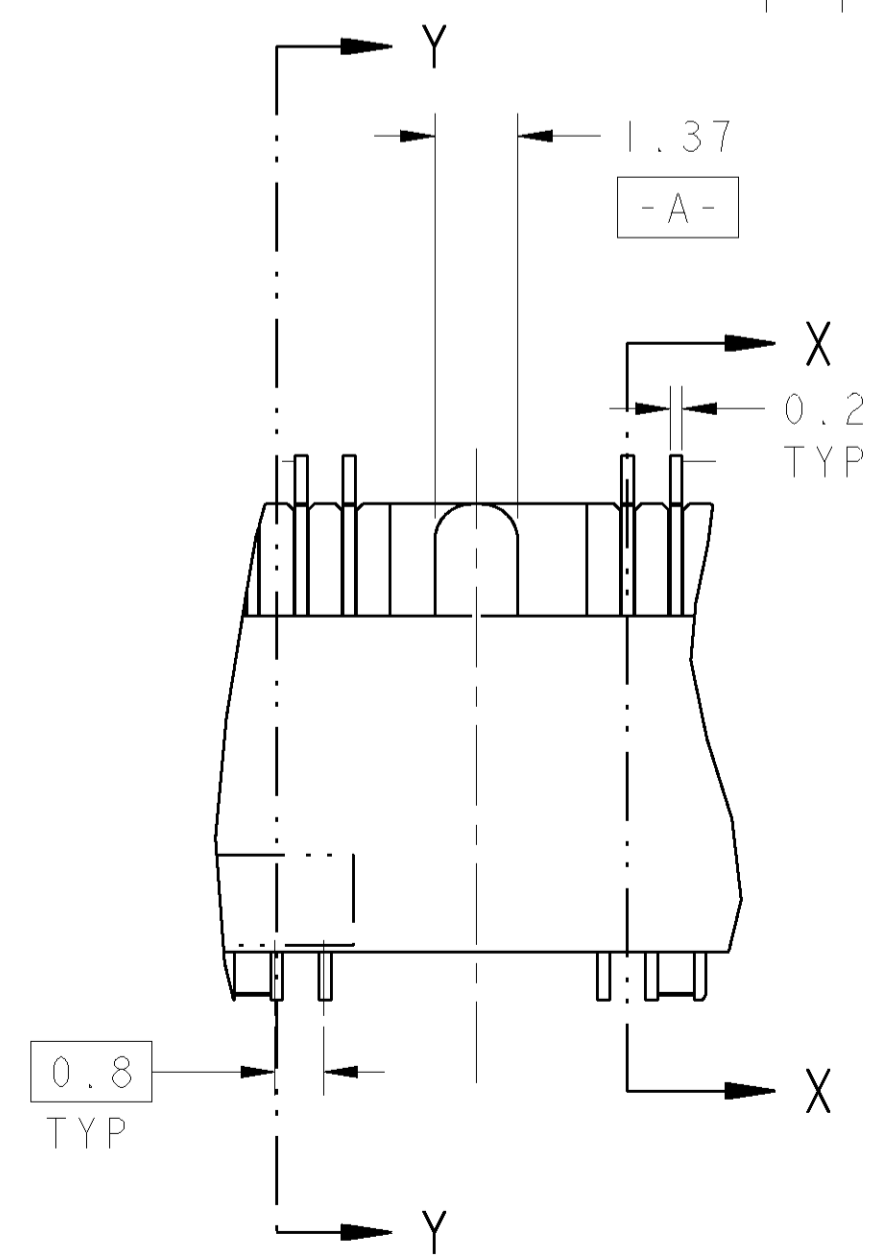
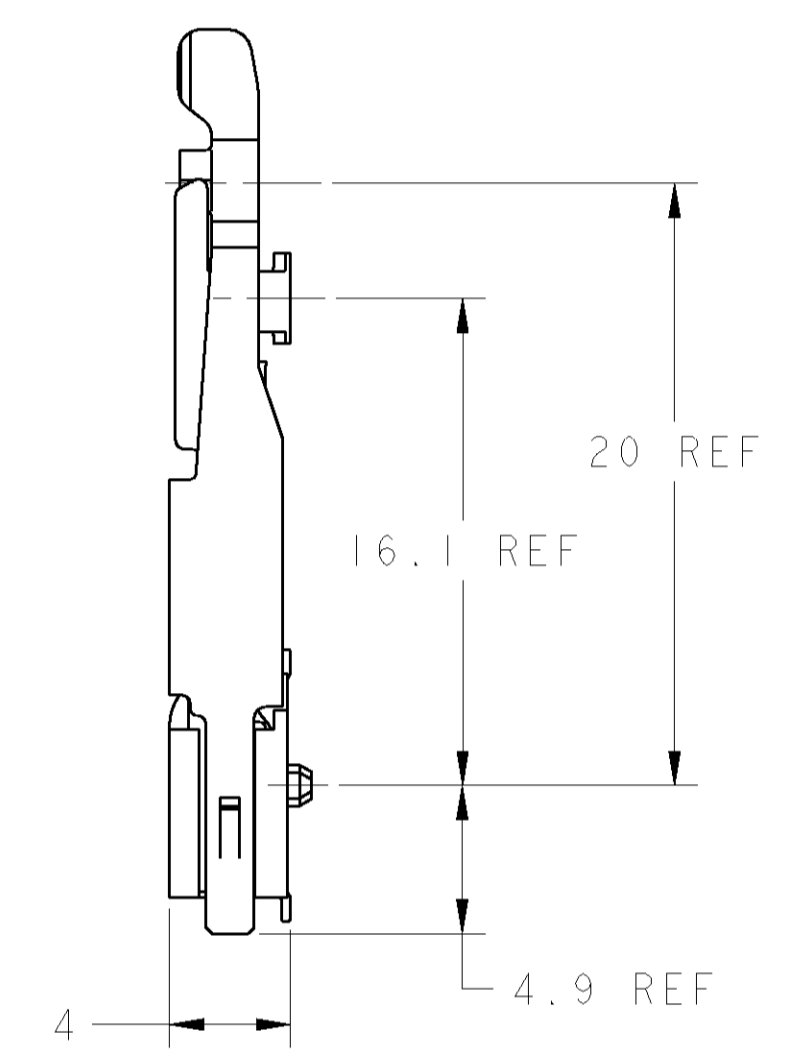
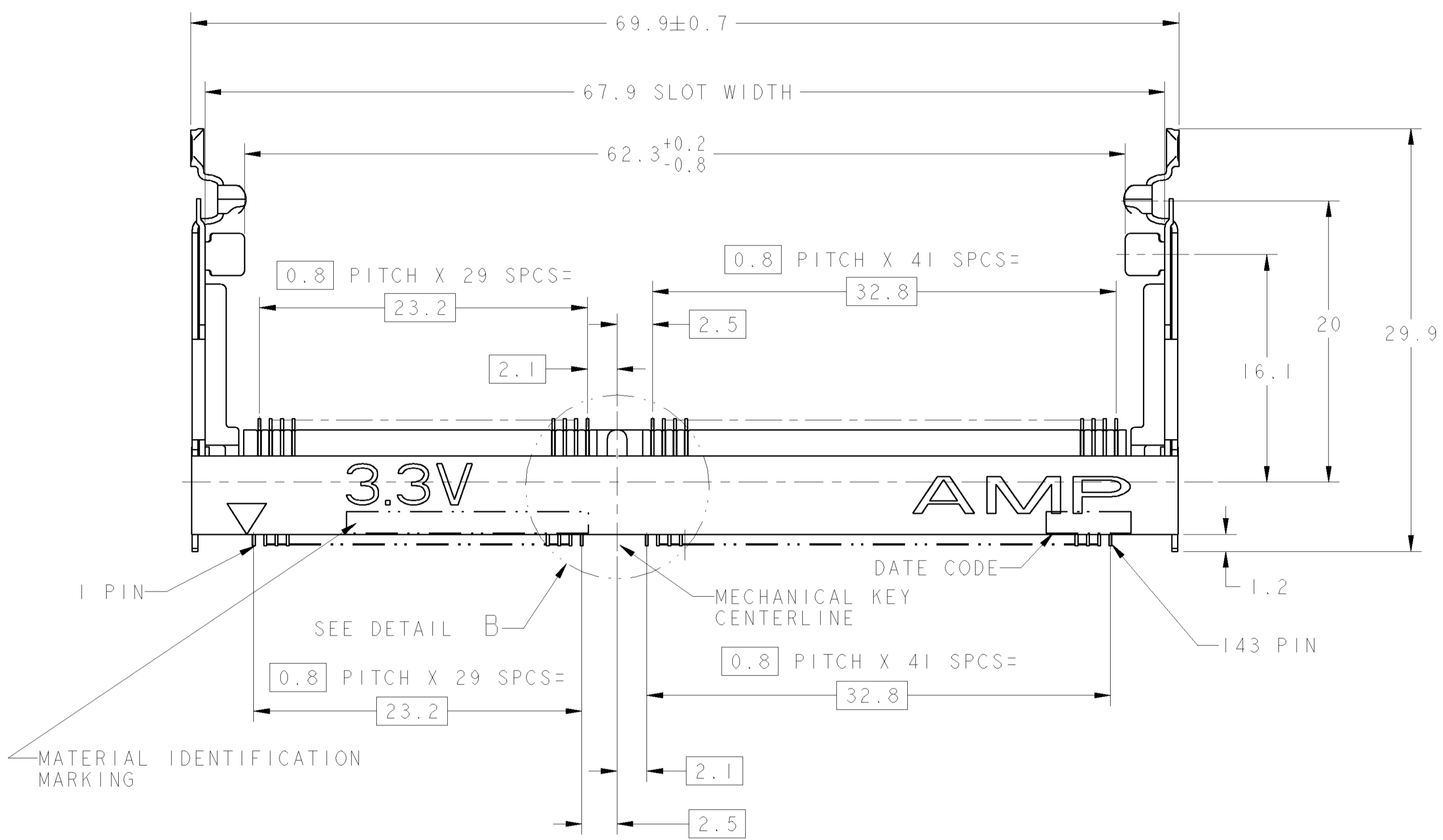


LOC		DIST		REVISIONS			
F	LTB	DATE	DNM	APRD			
J		06JUL05	SYJ	LSF	REVISED ECR-05-006243		



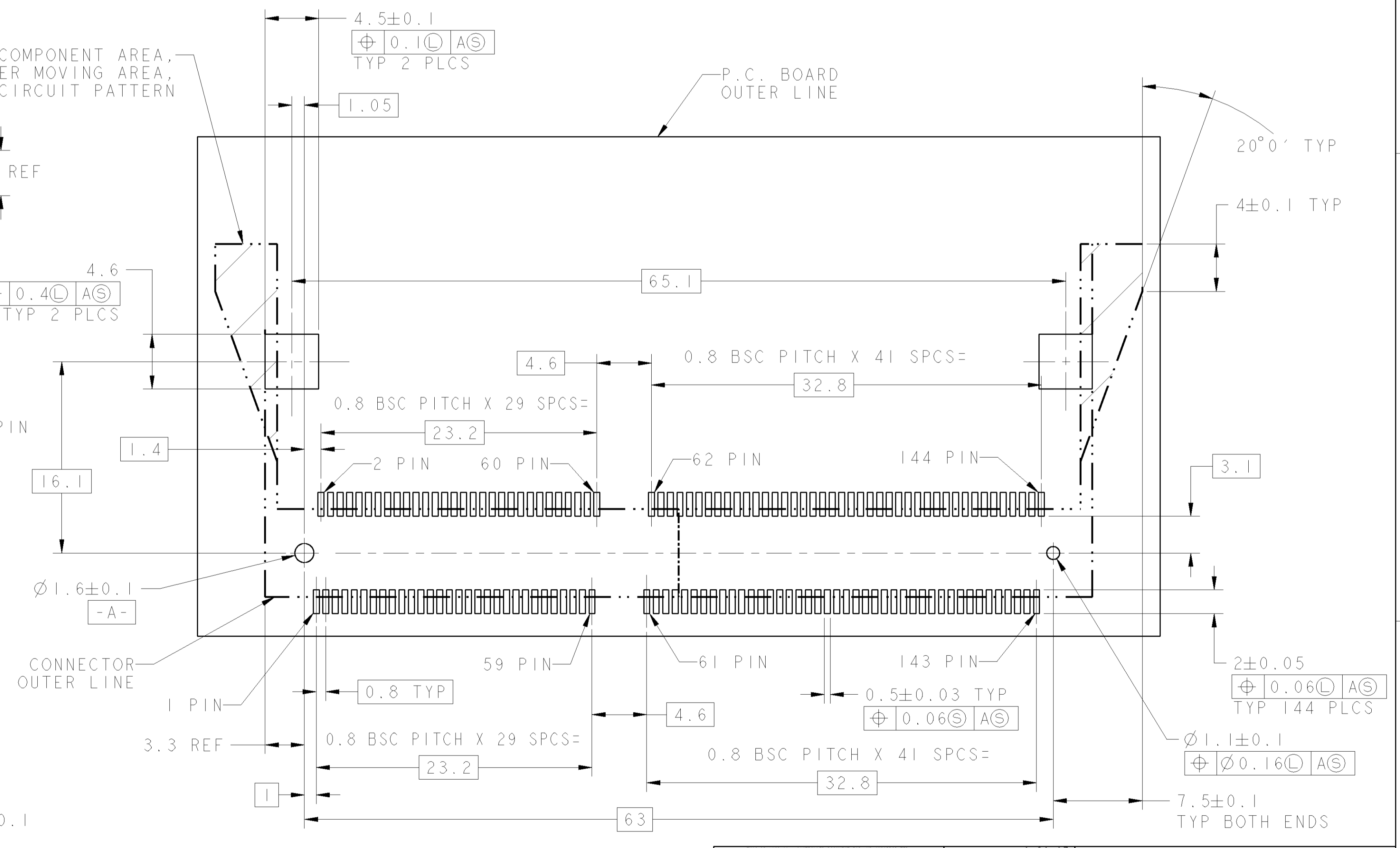
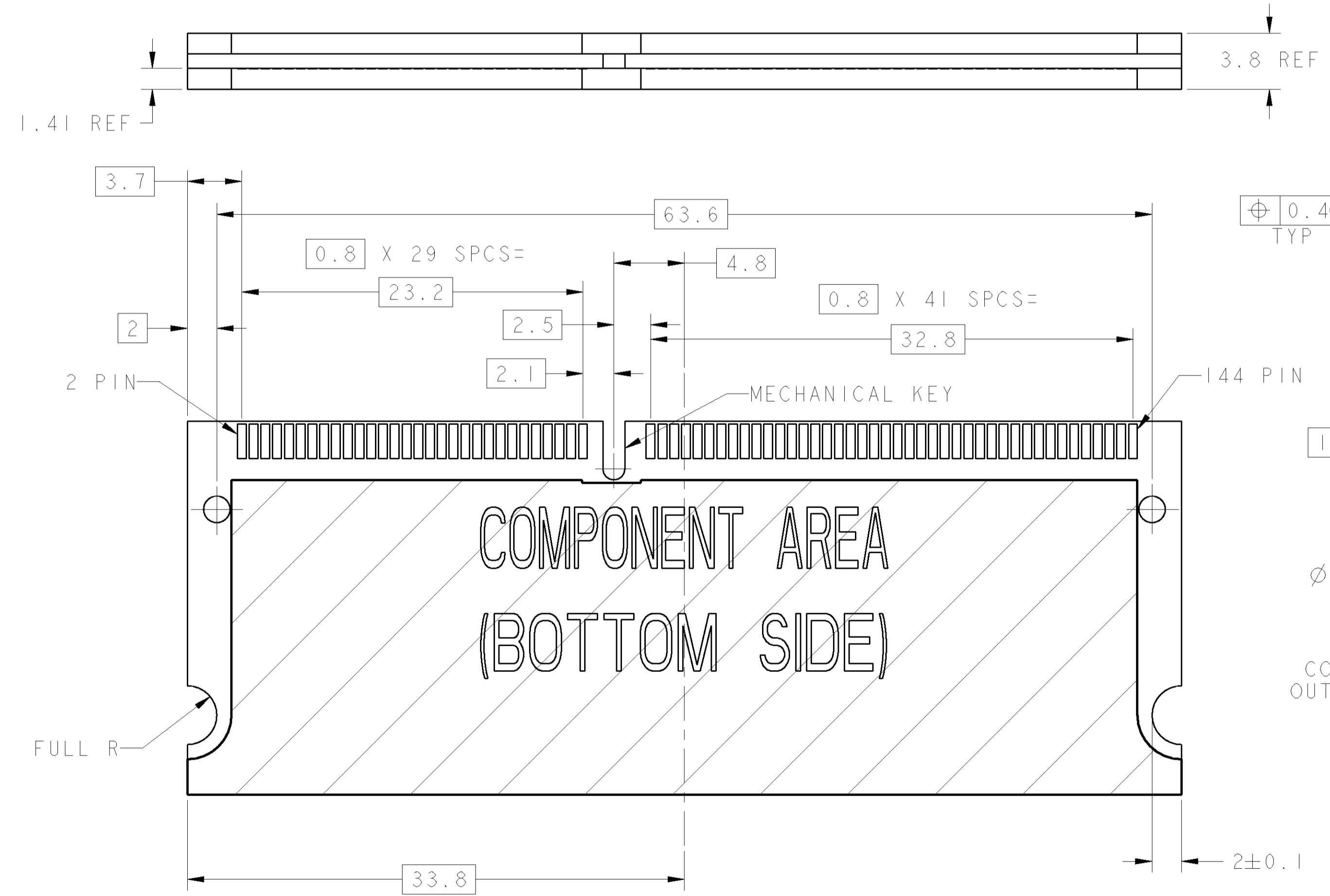
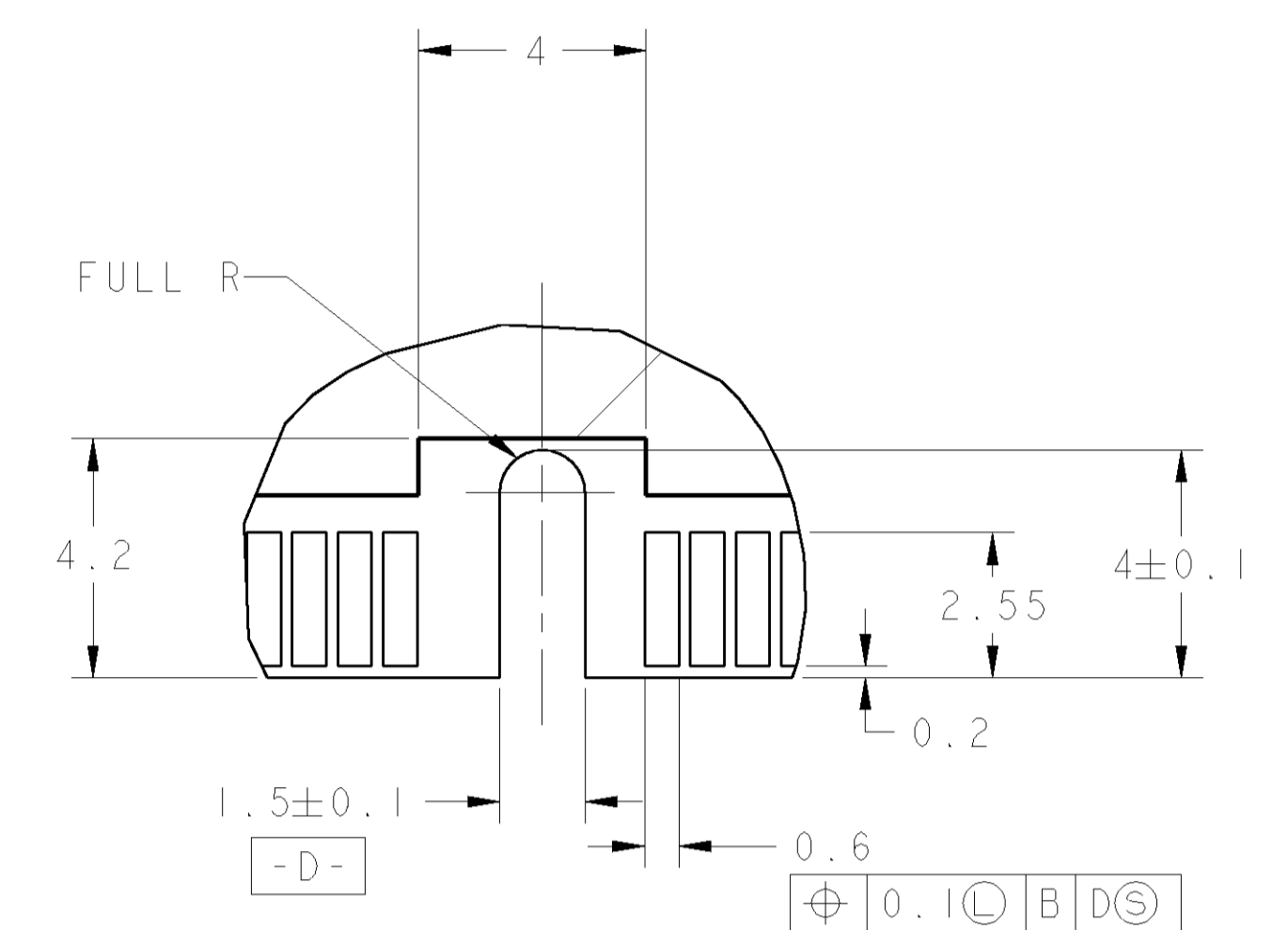
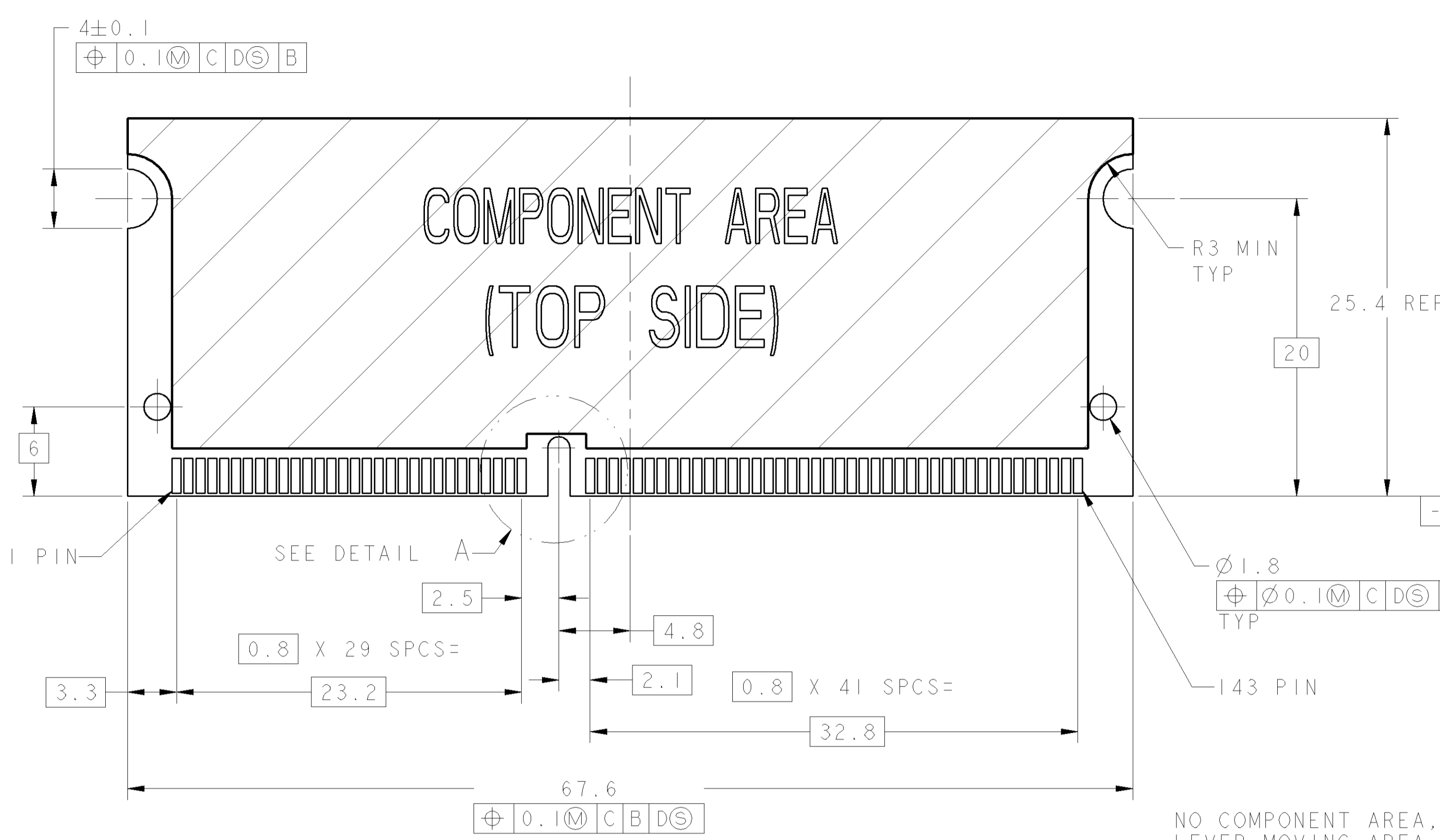
- 1 MATERIAL, HOUSING, HIGH TEMPERATURE PLASTIC, UL94V-0, NAT. CONTACT: COPPER ALLOY LATCH: STAINLESS STEEL, TIN PLATING.
- 2 FINISH; CONTACT AREA: 0.00025 MIN GOLD PLATING ON 0.001 MIN ALL OVER NICKEL SOLDERING AREA: 0.00005 MIN TO 0.00030 MAX GOLD PLATING.
- 3. TOLERANCES NON-ACCUMULATIVE.
- 4 FINISH; CONTACT AREA: 0.00025 MIN GOLD PLATING ON 0.001 MIN ALL OVER NICKEL SOLDERING AREA: BRIGHT TIN LEAD PLATING.
- 5 PACKAGED 12 PIECES PER HARD TRAY.
- 6 PART PACKED PER EIA IS-704 STANDARD. REEL DIAMETER SHALL BE 330mm. TAPE WIDTH SHALL BE 88mm AND TAPE PITCH SHALL BE 36mm.



SUPERSEDED BY	REMARKS	FINISH	POWER SUPPLY	POS	PART NUMBER
NIL	AVAILABLE	2	DRAM 3.3V	144	6-390114-1 6
NIL	AVAILABLE	2	DRAM 3.3V	144	3-390114-1 5
390114-1	NOT AVAILABLE	4	DRAM 3.3V	144	390114-4
NIL	AVAILABLE	2	DRAM 3.3V	144	390114-1

<small>THIS DRAWING IS A CONTROLLED DOCUMENT FOR AMP INCORPORATED. ALL INFORMATION CONTAINED HEREIN IS UNCLASSIFIED UNLESS INDICATED OTHERWISE. FOR MORE INFORMATION CONTACT THE CONTROL DOCUMENTS SECTION.</small>		DWN: W. SORAH 6-20-97 CDR: B. TALLEY 6-20-97	AMP MANUFACTURING (SINGAPORE) PTE., LTD.
DIMENSIONS: mm TOLERANCES UNLESS OTHERWISE SPECIFIED: 0 PLC ±0.2 1 PLC ±0.2 2 PLC ±0.2 3 PLC ±0.2 4 PLC ±0.2 ANGLES ±°	NAME: S.O. DIMM SOCKET ASSEMBLY, 0.8 mm, 3.3V PRODUCT SPEC: 144 POSITION, LOW PROFILE FOR SDRAM TYPE MODULE APPLICATION SPEC:	APD: SE LEONG SIZE: A1 CAGE CODE: 00779 DRAWING NO: C=390114	RESTRICTED TO:
MATERIAL: SEE TABLE	FINISH: SEE TABLE	WEIGHT: -	SCALE: 4:1 SHEET 1 OF 2 REV J

LOC	DIST	REV	DATE	BY	CHKD	APPRD
DY	-	1	SEE SHEET 1			



<small>THIS DRAWING IS A CONTROLLED DOCUMENT FOR AMP INCORPORATED. ALL DIMENSIONS ARE IN MILLIMETERS UNLESS OTHERWISE SPECIFIED. ORGANIZATION SHOULD BE CONTACTED FOR THE LATEST REVISION.</small>		DWN: W. SORAH 6-20-97 CHK: B. TALLEY 6-20-97 APD: SE LEONG PRODUCT SPEC: - APPLICATION SPEC: - WEIGHT: - CUSTOMER DRAWING: -	AMP MANUFACTURING (SINGAPORE) PTE. LTD. NAME: S.O. DIMM SOCKET ASSEMBLY, 0.8 mm, 3.3V 144 POSITION, LOW PROFILE FOR SDRAM TYPE MODULE SIZE: A1 CASE CODE: 00779 DRAWING NO: C-390114 SCALE: 4:1 SHEET: 2 OF 2 REV: J
DIMENSIONS: mm TOLERANCES UNLESS OTHERWISE SPECIFIED: 0 PLC ±0.2 1 PLC ±0.2 2 PLC ±0.2 3 PLC ±0.2 4 PLC ±0.2 ANGLES ±°	FINISH: SEE TABLE	RESTRICTED TO: -	SCALE: 4:1 SHEET: 2 OF 2 REV: J