

5

4

3

2

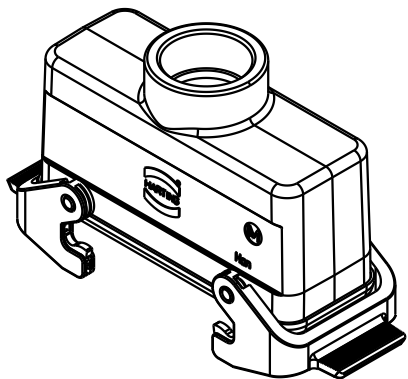
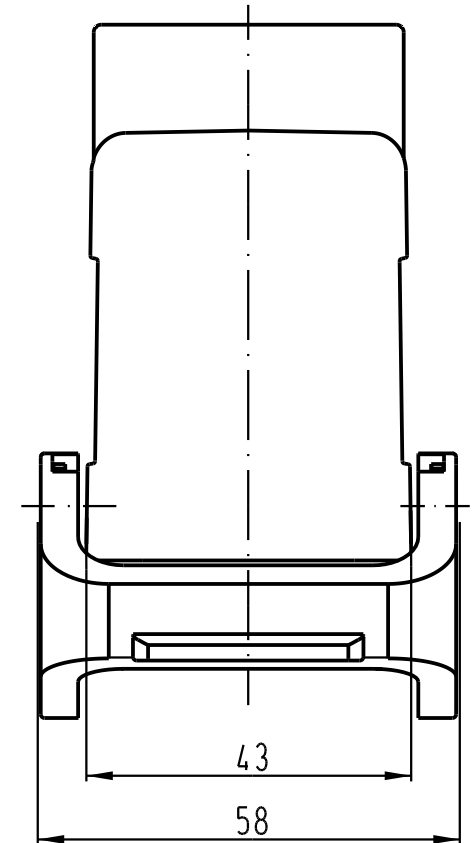
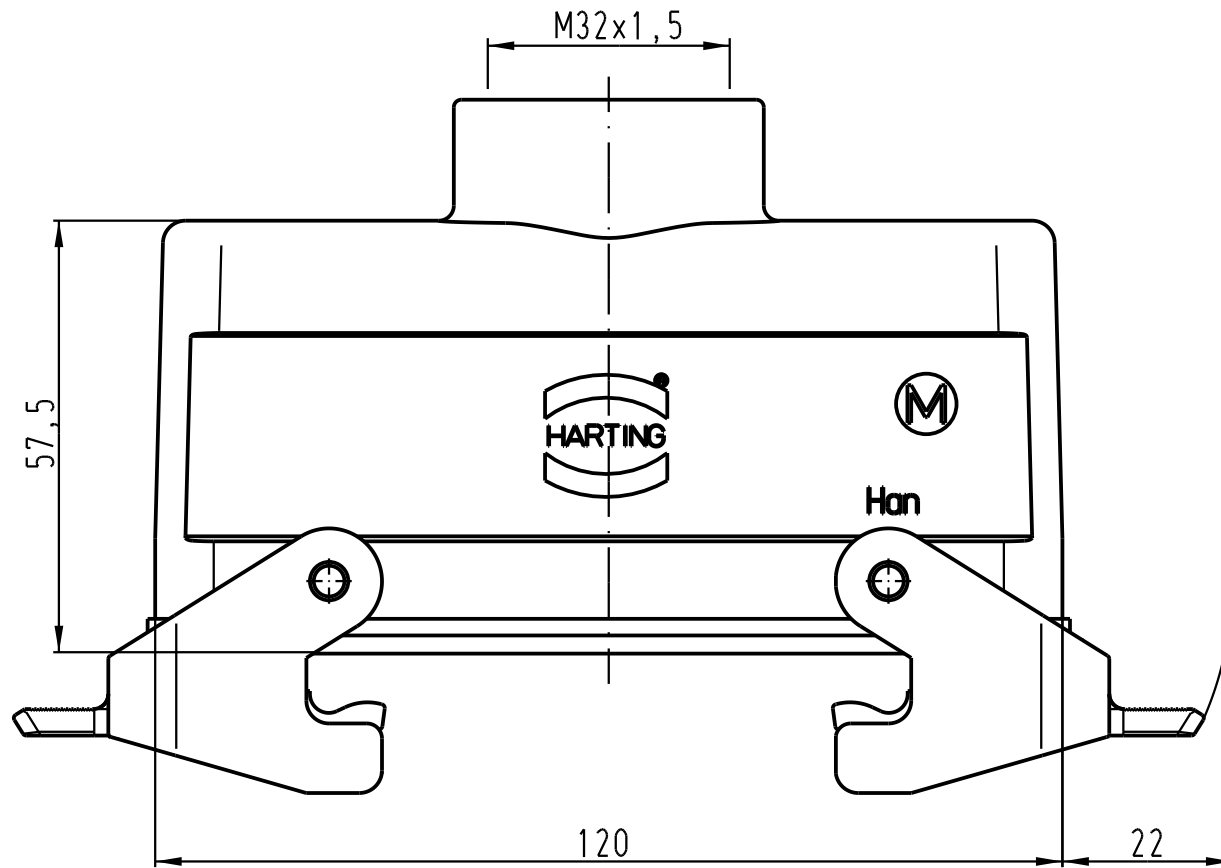
1

D

C

B

A



All Dimensions in mm Original Size DIN A 4		Techn. Character.			Nicht tolerierte Masse/ Free size tolerances	
			Dat.	Name	Masstab/ Scale  1 : 1	<b>Han 24B-kg-QB-M32</b> Kupplungsgehäuse/ hood cable to cable
			Detail.	DY		
			Insp.	KR		
			Stand.			
412295	30.06.06	Fri.	HARTING KGaA D-32339 ESPELKAMP			<b>TB 19 30 024 1732</b>
28837						
Mod.	Dat.	Name	Sub.			
						Blatt/ page