

SIDE ROTARY

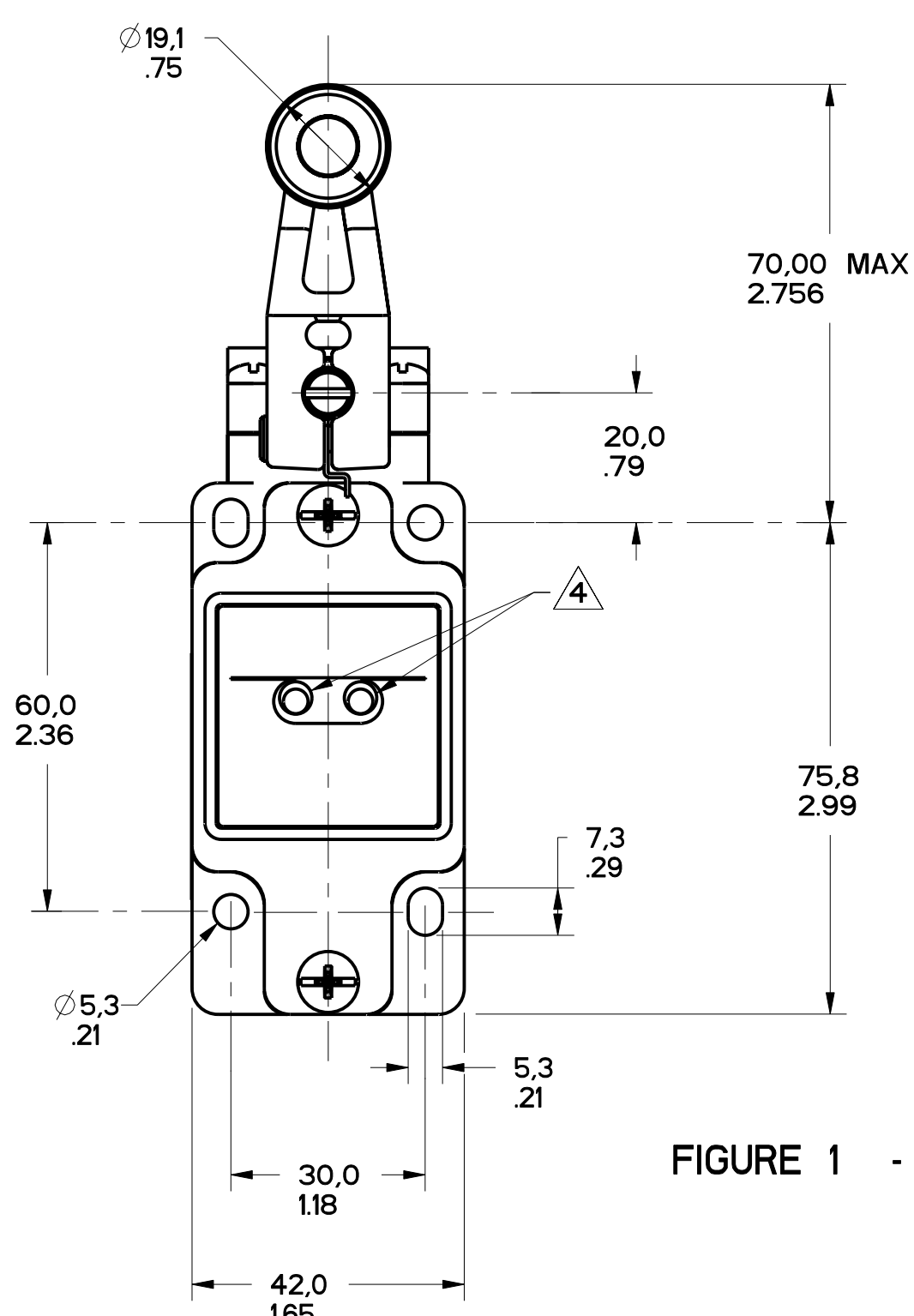
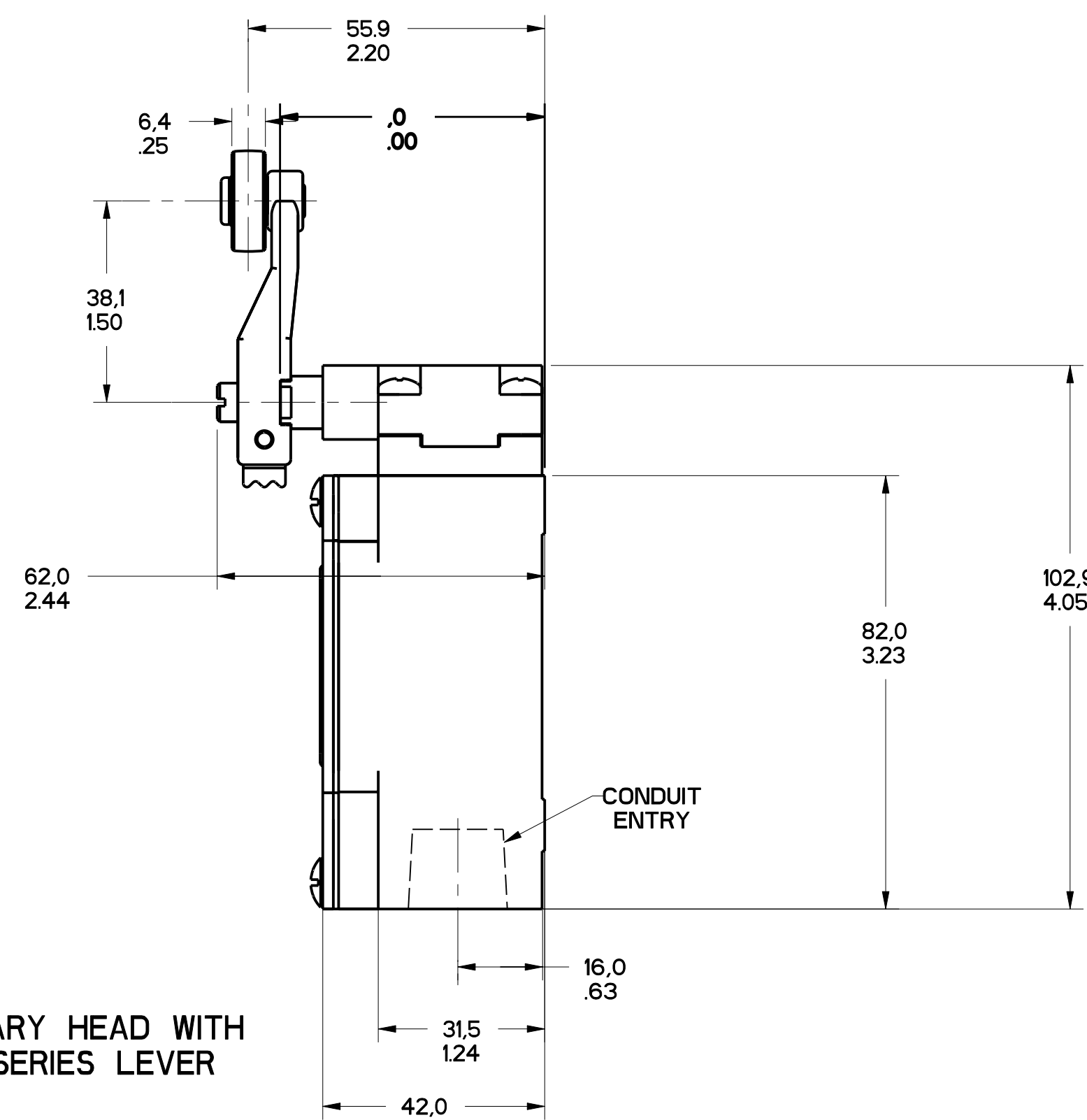


FIGURE 1 - SIDE ROTARY HEAD WITH GLZ51 SERIES LEVER



GLZ54J: 200.00 / 7.870 MAX  
GLZ54K: 140.00 / 5.510 MAX  
ALUMINUM ROD

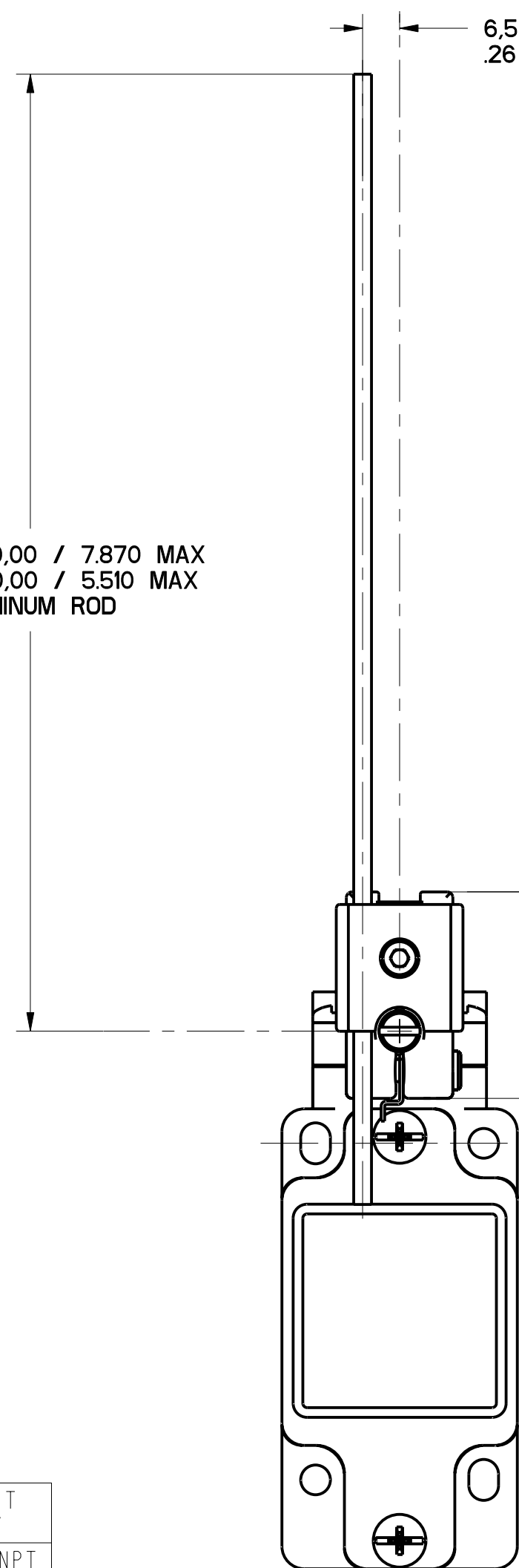


FIGURE 2 - SIDE ROTARY HEAD WITH GLZ54 SERIES LEVER OTHERWISE REFER TO FIGURE 1

GLZ54J: 201.5 / 7.93  
GLZ54K: 141.0 / 15.56

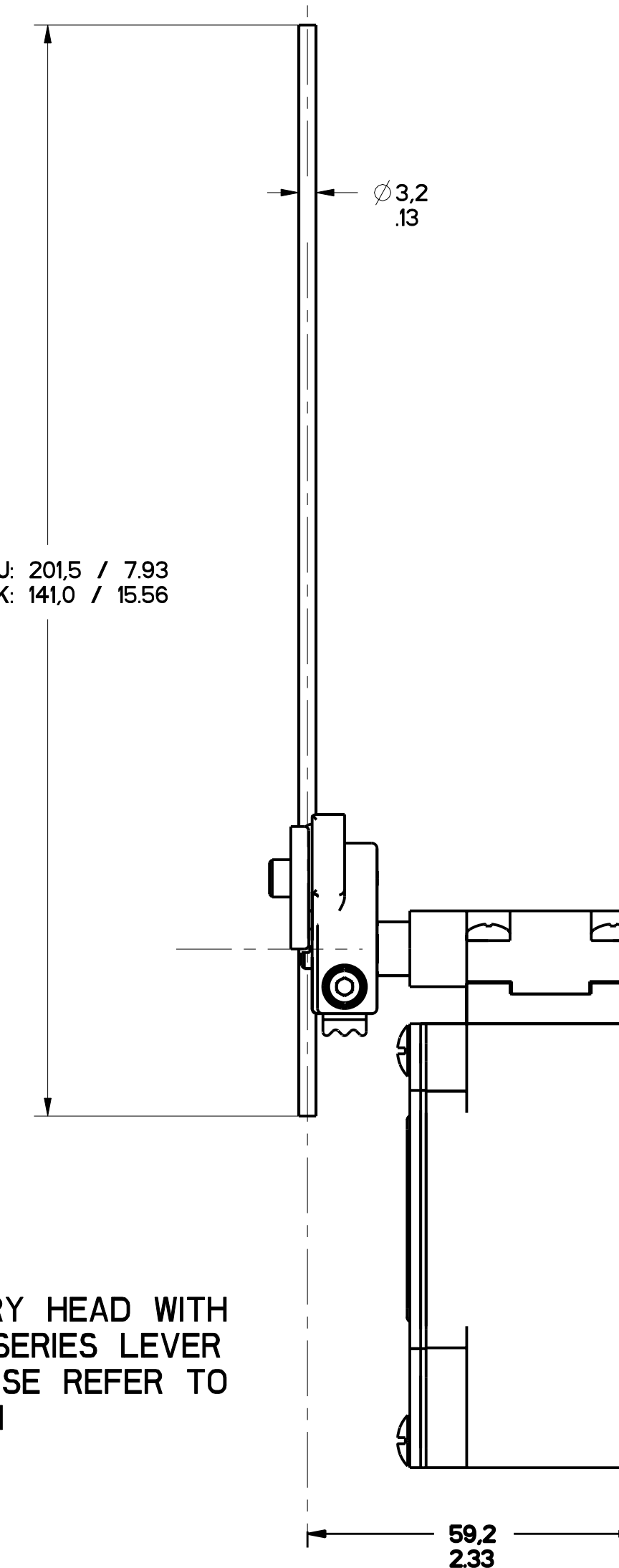


FIGURE	CATALOG LISTING	CONDUIT ENTRY
1A	GL*A SERIES	1/2-14 NPT
1B	GL*B SERIES	PG13.5
1C	GL*C SERIES	20mm
1D	GL*D SERIES	PF1/2

ELECTRICAL RATING <sup>5</sup>			
AC		DC	
A600 Ue (VOLTS)	AC15 Ie (AMPS)	0300 Ue (VOLTS)	DC13 Ie (AMPS)
120	6	24	2.8
240	3	125	.55
380	1.9	250	.27
480	1.5		
500	1.4		
600	1.2		

ENVIRONMENTAL RATING	
1P67	
NEMA/UL TYPES 1, 4, 12, 13	

- NOTES
- HEADS MAY BE INDEXED IN 90° INCREMENTS
  - LEVERS MAY BE KEYED TO THE SHAFT AT 90° INCREMENTS. THEY MAY ALSO BE ATTACHED, BUT NOT KEYED ANYWHERE ON THE SHAFT.
  - FOR ADDITIONAL LEVERS SEE "M" DRAWING CHART GLZ5
  - THE LEFT INDICATOR IS GREEN AND INDICATES "POWER ON" IT IS ON GLH SERIES PRODUCTS ONLY. THE RIGHT INDICATOR IS YELLOW AND INDICATES "OUTPUT STATUS" IT IS ON GLF AND GLH SERIES PRODUCTS ONLY.
  - THE MAXIMUM VOLTAGE,  $V_e$  OF GLF AND GLH SERIES PRODUCTS IS THE MAXIMUM RATED VOLTAGE OF INDICATION LIGHTS
  - FREE POSITION, OPERATE POINT, OVERTRAVEL AND PRETRAVEL ALL TO EN50041
  - CAM TRAVEL FOR FIG 9 ONLY APPLIES WHEN LEVER IS ADJUSTED TO 38,1 / 1.50

CATALOG LISTING	BODY DIMENSIONS, FIGURE	HEAD DIMENSIONS, FIGURE	HEAD ACTUATION, FIGURE
GLA***	I	N/A	N/A
GLF***	I	N/A	N/A
GLH***	I	N/A	N/A
GLA***	1A	N/A	N/A
GLB***	1B	N/A	N/A
GLC***	1C	N/A	N/A
GLD***	1D	N/A	N/A
GL***A1*	I	1	8
GL***A2*	I	3	9
GL***A4*	I	2	10
GL***A5*	I		8
GL***B	I	4	11
GL***C	I	5	13A, 13B
GL***D	I	6	14A, 14B
GL***E7A	I	7A	12
GL***E7B	I	7	12
GL***E7D	I	7B	12
GL***K8A	I	7C	15
GL***K8B	I	7D	15
GL***K8C	I	7	15

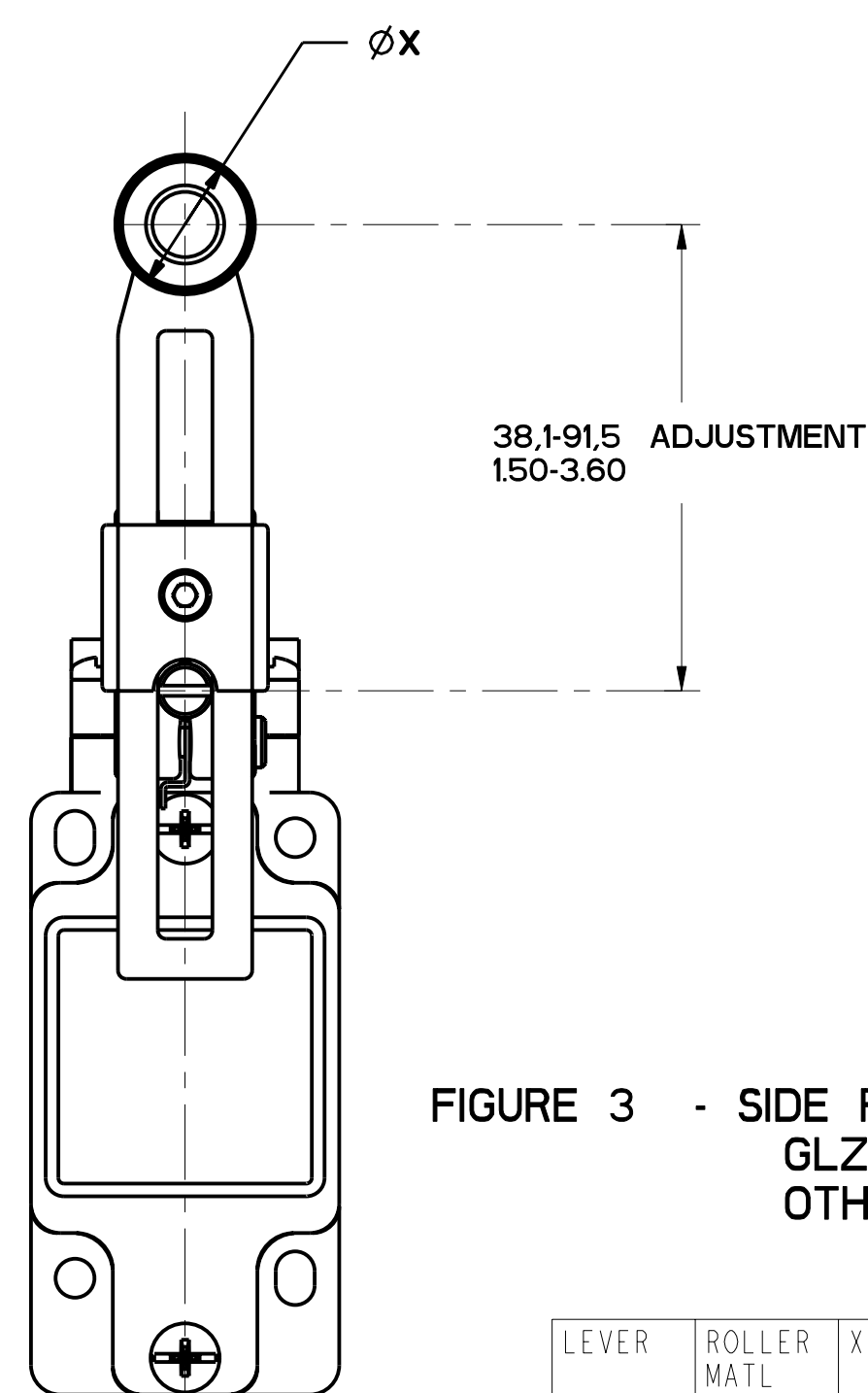
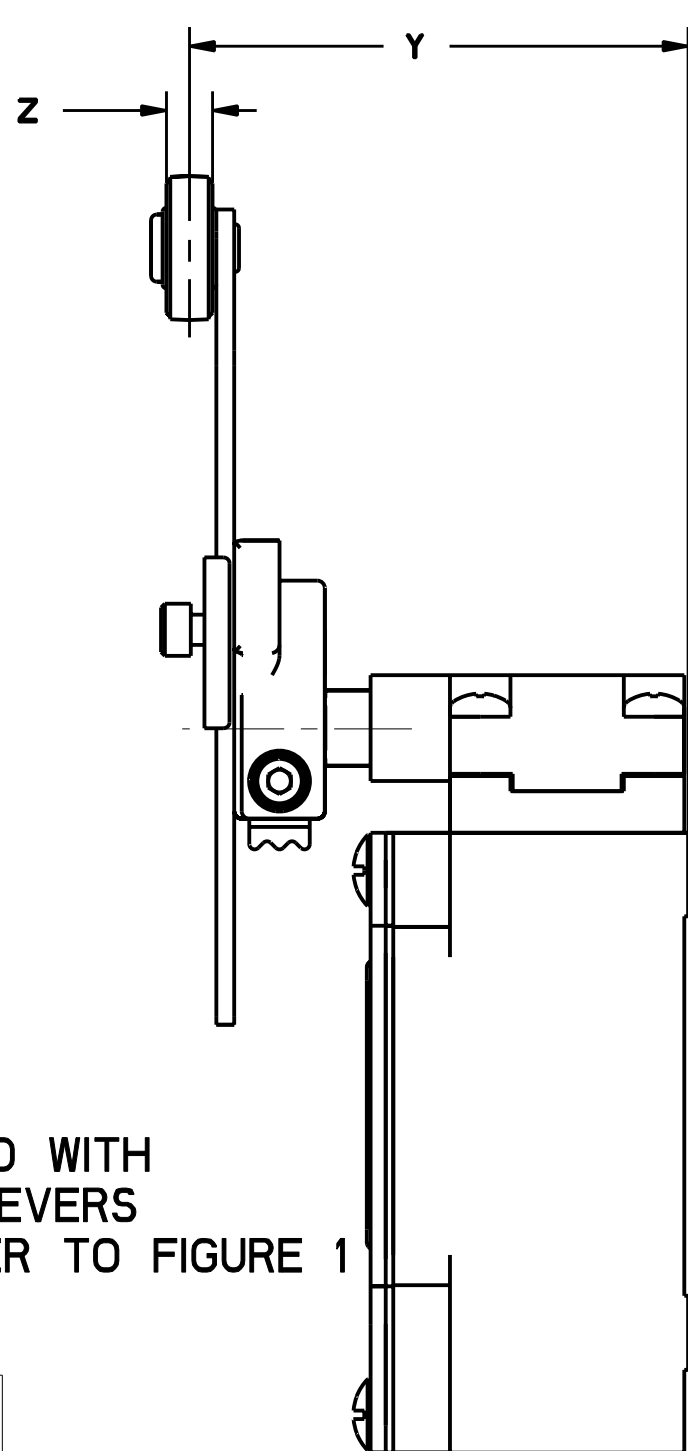


FIGURE 3 - SIDE ROTARY HEAD WITH GLZ52 SERIES LEVERS OTHERWISE REFER TO FIGURE 1



LEVER	ROLLER MATL	X DIM	Y DIM	Z DIM
GLZ52A	NYLON	19,1 .75	65,9 2.59	6,4 .25
GLZ52B	STEEL	19,1 .75	65,9 2.59	6,4 .25
GLZ52D	NYLON	38,1 1.5	65,9 2.59	6,4 .25
GLZ52E	NYLON	19,1 .75	79,37 3.125	33,07 1.300
GLZ52W	RUBBER	40,0 1.6	71,5 2.81	12,7 .5
GLZ52Y	RUBBER	50,9 2.0	71,5 2.81	12,7 .5

MGL SERIES CHART 1  
 DRAWING NUMBER: 201782  
 RELEASE NO. PR-201782  
 ISSUE: 6  
 PTC/CAD  
 S.A.V. 2/MAR/86  
 CHECK:

THIS DRAWING COVERS A PROPRIETARY ITEM AND IS THE PROPERTY OF MICRO SWITCH, A DIVISION OF HONEYWELL. THIS DRAWING IS NOT TO BE COPIED OR USED WITHOUT THE APPROVAL OF MICRO SWITCH.

FED. MFG. CODE 91929

**MICRO SWITCH**  
a Honeywell Division

SWITCH, ENCLOSED

CATALOG LISTING  
**GL SERIES CHART 1**

SI METRIC  US CUSTOMARY

DESIGN UNITS:  WEIGHT

THIRD ANGLE PROJECTION

SCALE: FULL

DO NOT SCALE PRINT

TOLERANCES

APPLY TO DESIGN UNITS. CONVERSIONS ARE ONLY FOR REFERENCE, UNLESS NOTED. TOLERANCES ARE:

NO. PLACES	SI	US	NO. PLACES	SI	US
TWO PLACES	X.01	0.0150	TWO PLACES	X.1X	0.00150
THREE PLACES	X.001	0.000150	THREE PLACES	X.1XX	0.000150

ANGLES: ±2°



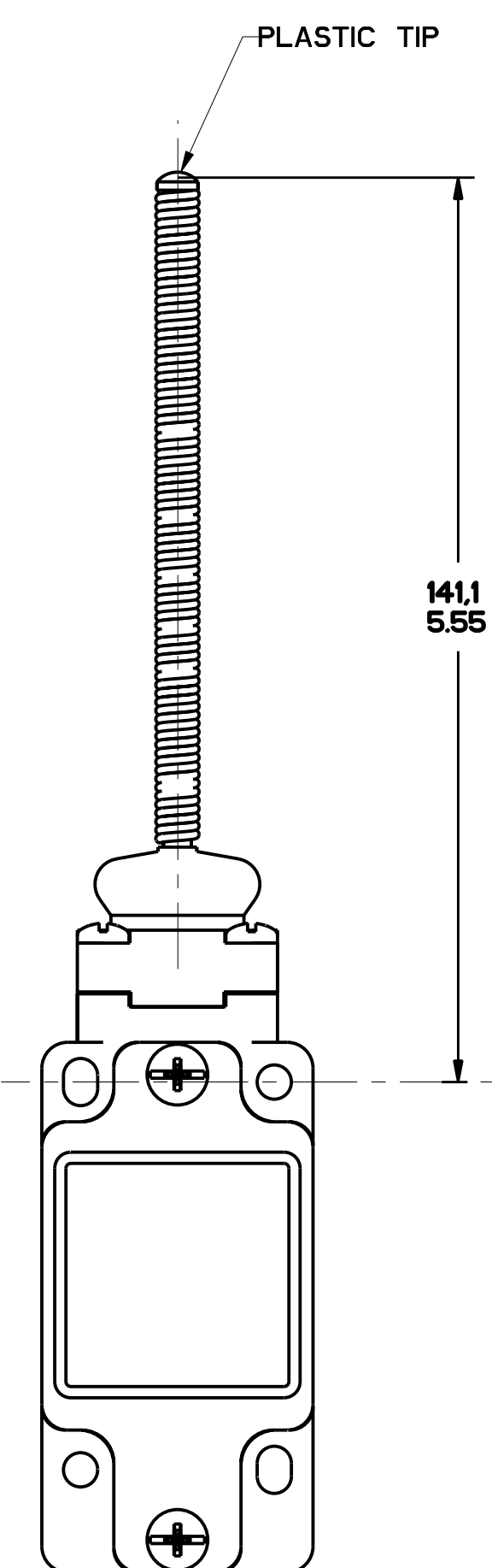


FIGURE 7 - WOBBLE HEAD, COIL ACTUATOR, OTHERWISE REFER TO FIGURE 1

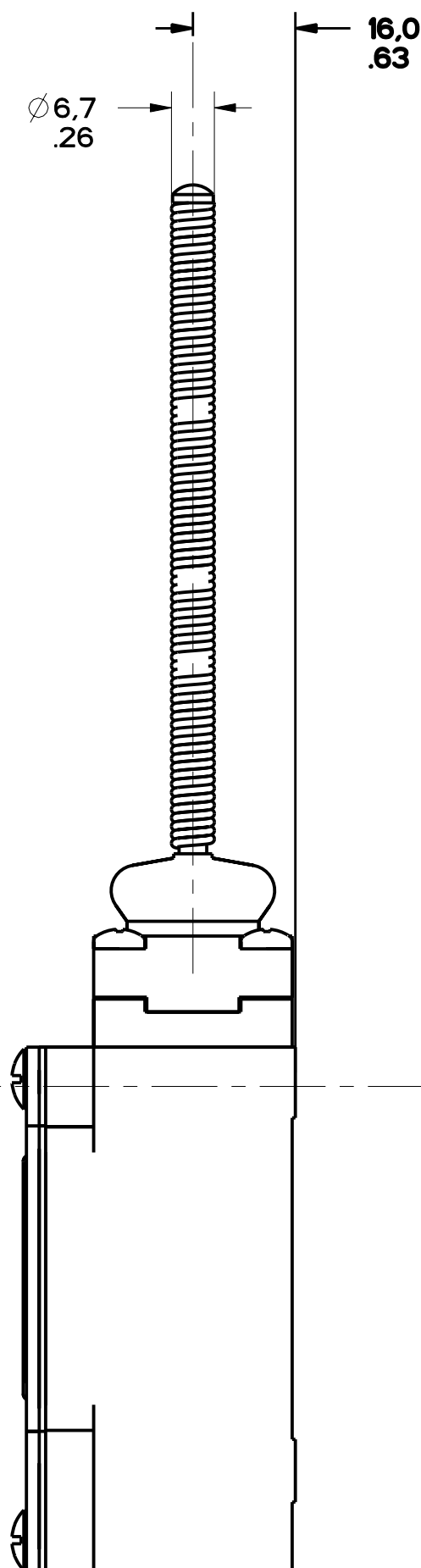


FIGURE 7A - WOBBLE HEAD, PLASTIC ACTUATOR, OTHERWISE SAME AS FIGURE 7

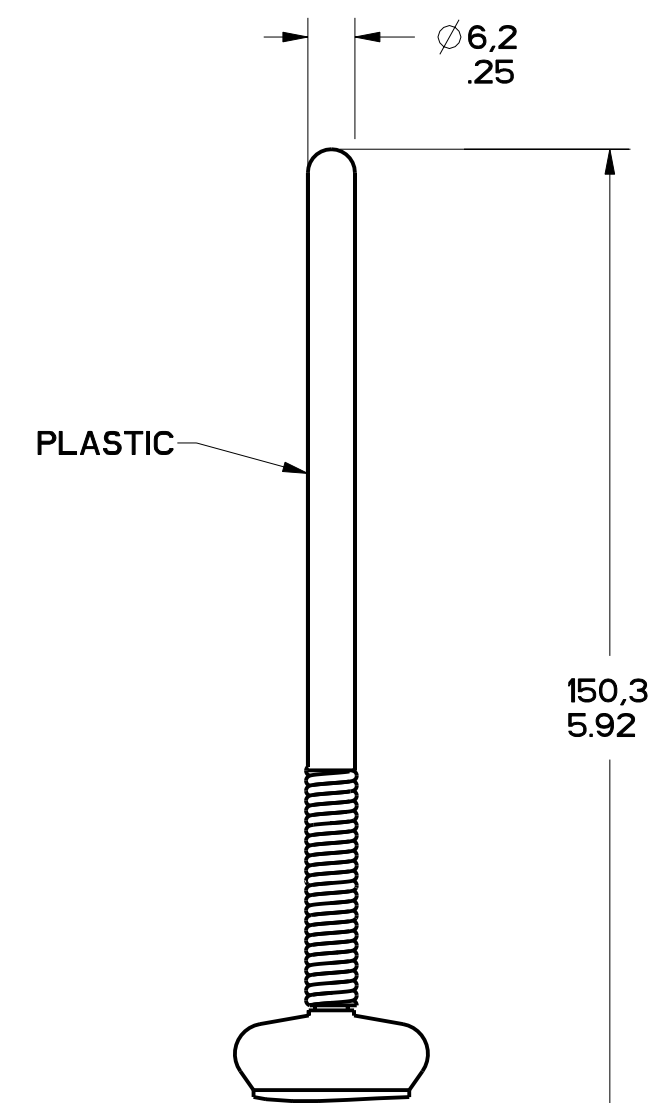


FIGURE 7B - WOBBLE HEAD, STAINLESS STEEL SPRING ACTUATOR, OTHERWISE SAME AS FIGURE 7

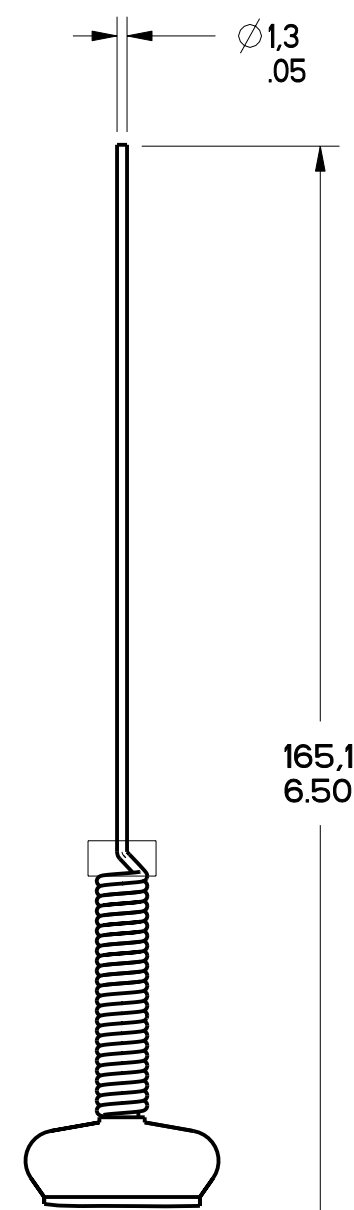


FIGURE 7C - CAT WHISKER ACTUATOR, STAINLESS STEEL SPRING, OTHERWISE SAME AS FIGURE 7

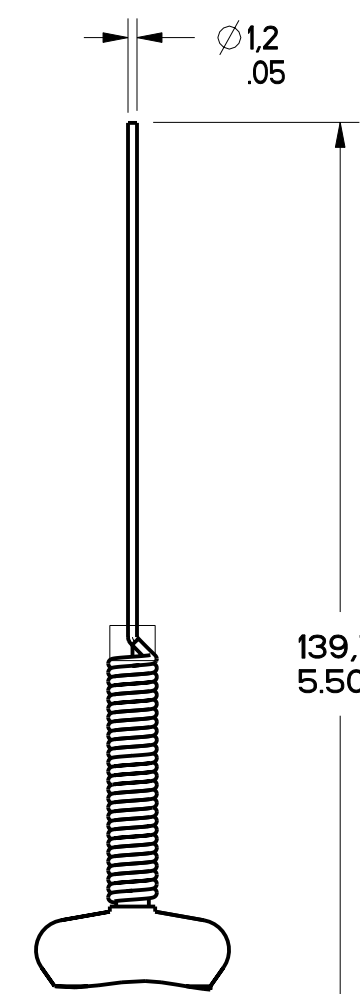


FIGURE 7D - CAT WHISKER ACTUATOR, STAINLESS STEEL SPRING, OTHERWISE SAME AS FIGURE 7

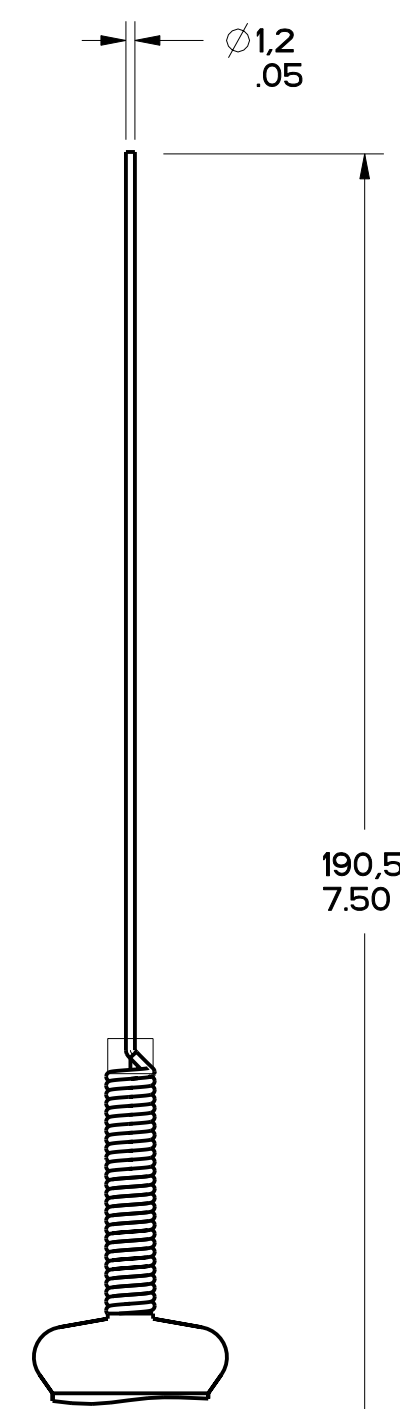
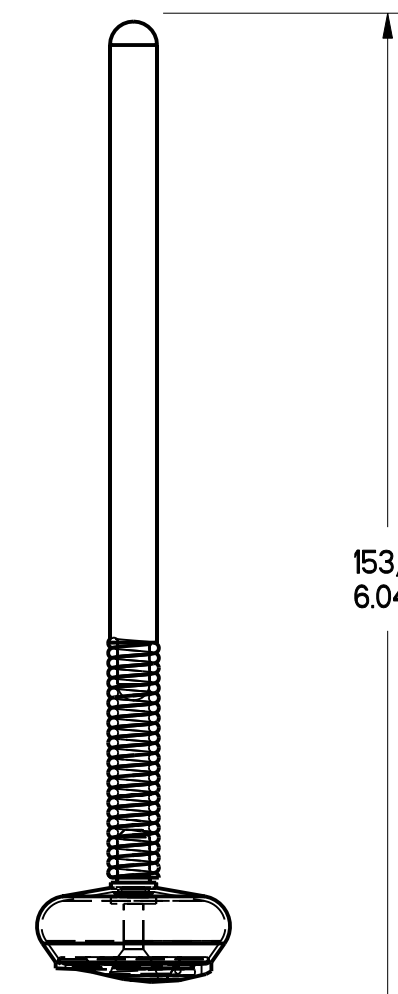


FIGURE 7E - CABLE WOBBLE ACTUATOR, OTHERWISE SAME AS FIGURE 7



P.T.C./CAD  
 DRAWN  
 S. A. V. 7 MAY 96  
 CHECKED  
 S. A. V. 7 MAY 96  
 APPROVED  
 S. A. V. 7 MAY 96  
 RELEASE NO. PR-21597  
 REPLACES  
 3 OF 8  
 DRAWING NUMBER  
 MGL SERIES CHART 1  
 ISSUE  
 6

THIS DRAWING COVERS A PROPRIETARY ITEM AND IS THE PROPERTY OF MICRO SWITCH, A DIVISION OF HONEYWELL. THIS DRAWING IS NOT TO BE COPIED OR USED WITHOUT THE APPROVAL OF MICRO SWITCH. FED. MFG. CODE 91929		CATALOG LISTING MICRO SWITCH a Honeywell Division		SWITCH, ENCLOSED GL SERIES CHART 1	
DESIGN UNITS SI METRIC <input checked="" type="checkbox"/> US CUSTOMARY <input type="checkbox"/>		TOLERANCES APPLY TO DESIGN UNITS. CONVERSIONS ARE ONLY FOR REFERENCE. UNLESS NOTED, TOLERANCES ARE:		THIRD ANGLE PROJECTION SCALE FULL DO NOT SCALE PRINT	
NO PLACES	X	±.04	±.04	±.04	±.04
ONE PLACE	X	±.01	±.01	±.01	±.01
TWO PLACES	X	±.005	±.005	±.005	±.005
THREE PLACES	X	±.0005	±.0005	±.0005	±.0005
ANGLES		±2°			
WEIGHT					

MASTER REDUCED  
ANSI Y14.5M-1982 APPLIES

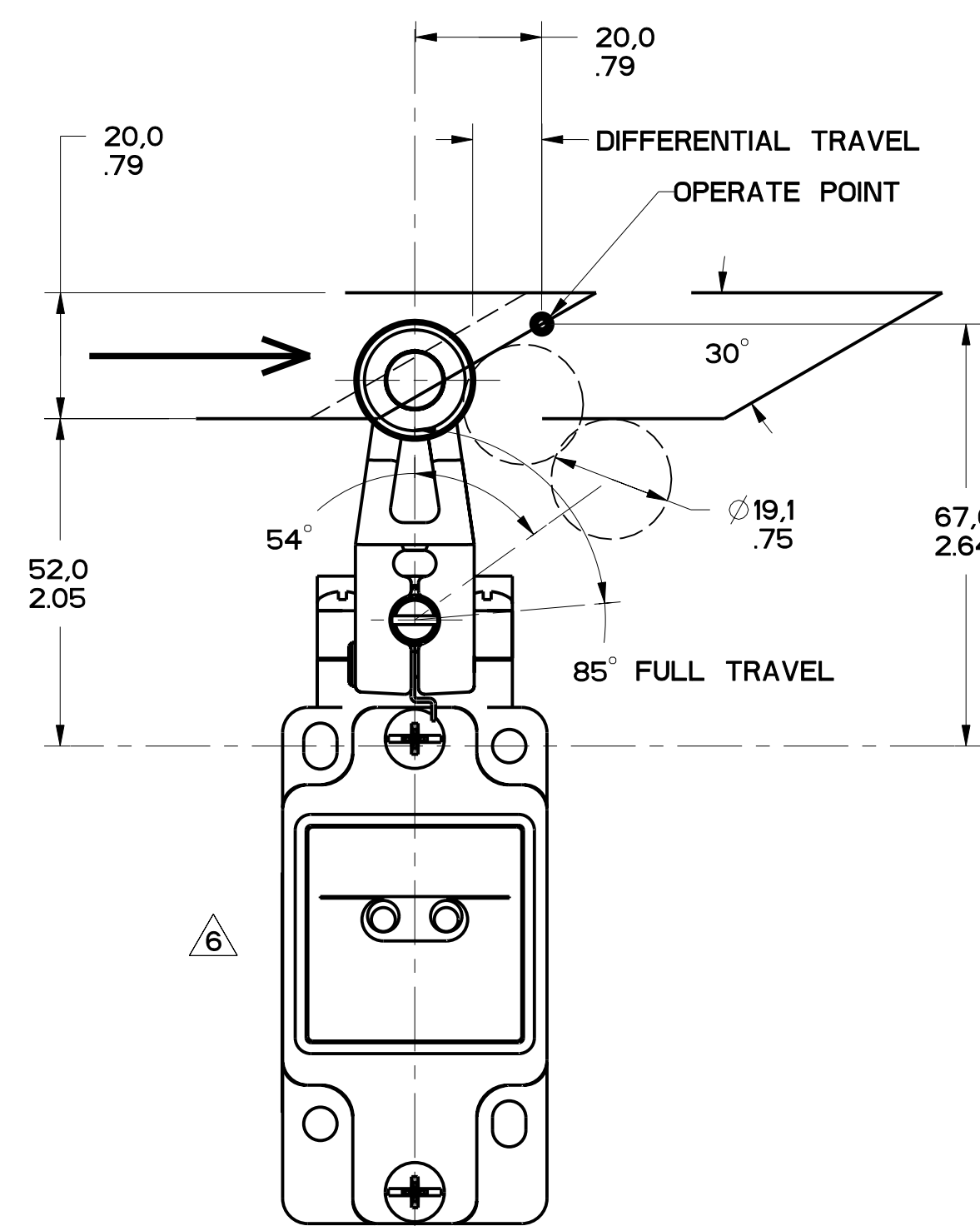


FIGURE 8

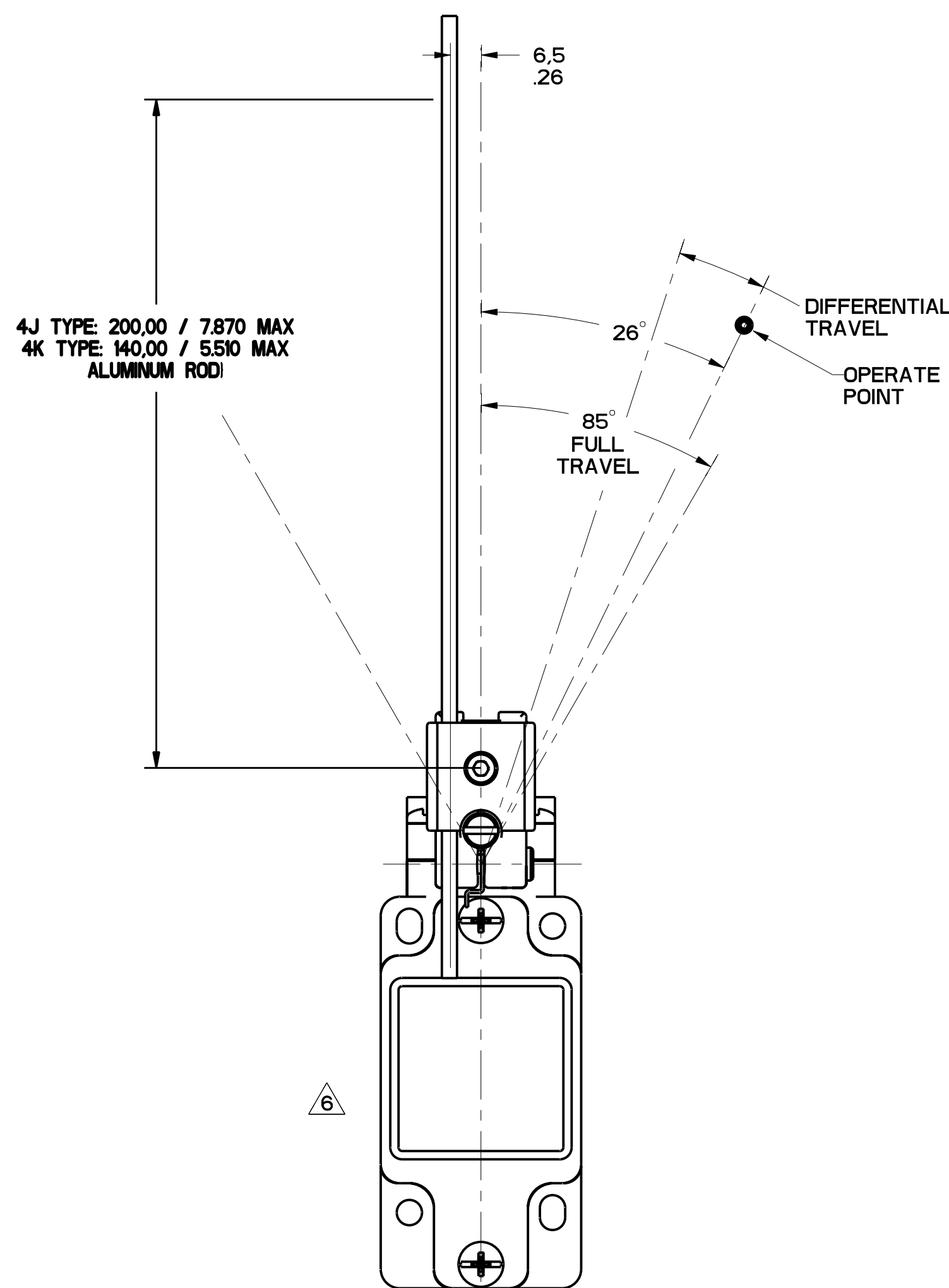


FIGURE 10

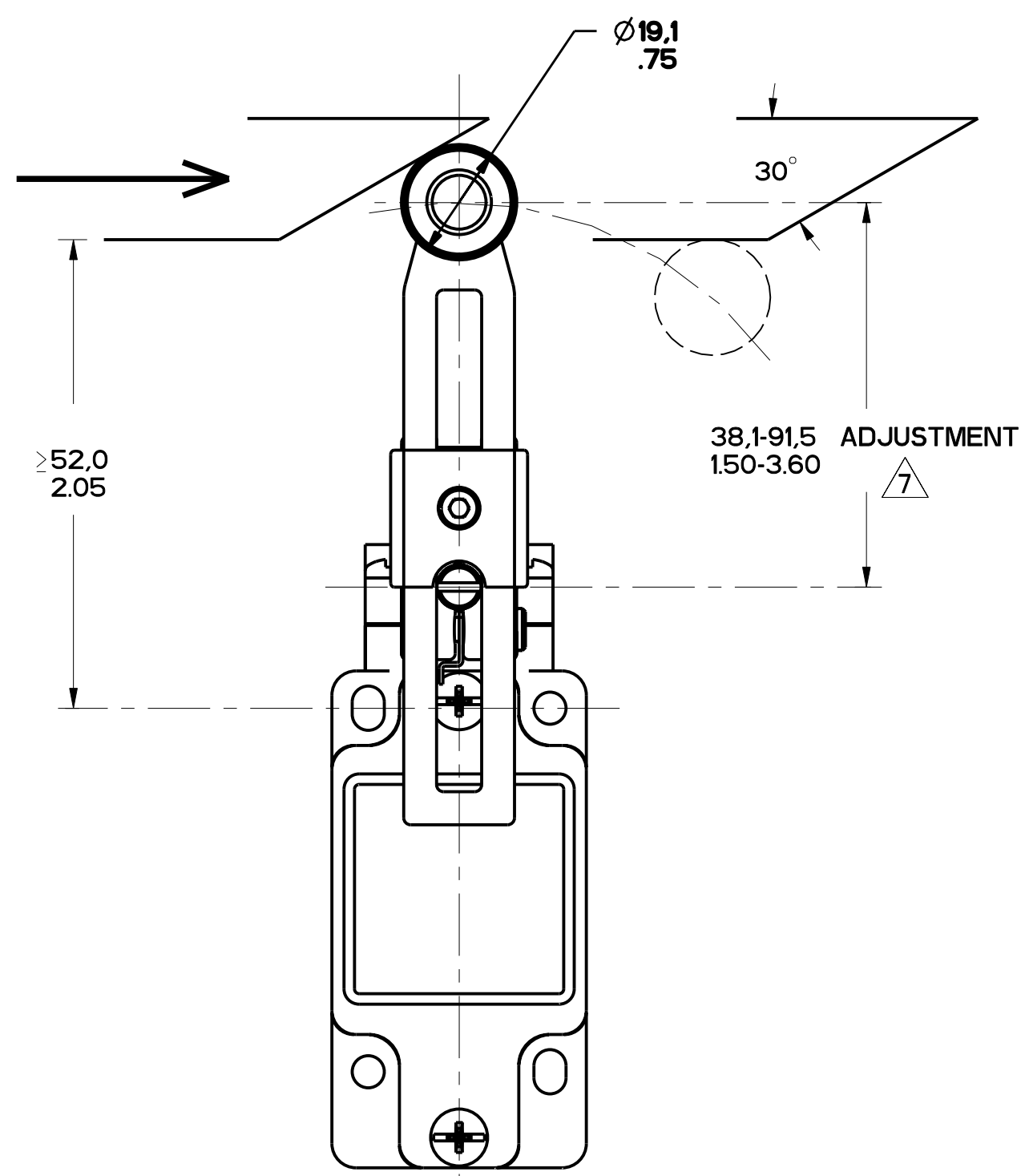


FIGURE 9

FIGURES 8, 9, 10 ANGULAR ACTUATION

CATALOG LISTING	CONTACT BLOCK DIAGRAM	NOMINAL TRAVELS AND RELATED TERMINALS - CONTACT CLOSED, - CONTACT OPEN, - CONTACT CLOSED DIFFERENTIAL TRAVEL, ** POSITIVE OPENING TO IEC 947-5-1	MAXIMUM OPERATING TORQUE N-m	MAXIMUM DISCONNECT TORQUE N-m	MAX OPERATE DEGREE/S	MIN OPERATE DEGREE/S	MAX OPERATE FREQUENCY OPS/MIN
GL**01A*	SNAP - ACTION CONTACTS SINGLE POLE	21-22 26° 55**° 85° 13-14 12° DIFFERENTIAL TRAVEL	.330 2.9	.385 3.4	1290	13	250
GL**03A*	SLOW ACTING BREAK BEFORE MAKE	21-22 26**° 85° 13-14 38°	.330 2.9	.385 3.4	1290	13	250
GL**04A*	SLOW ACTING MAKE BEFORE BREAK	21-22 38**° 85° 13-14 26°	.330 2.9	.400 3.5	1290	13	250
GL**20A* GL**24A*	SNAP ACTION CONTACTS DOUBLE POLE	11-12, 21-22 26° 55**° 85° 13-14, 23-24 12° DIFFERENTIAL TRAVEL	.330 2.9	.385 3.4	1290	13	250
GL**21A* GL**25A*	SNAP ACTION CONTACTS DOUBLE POLE SEQUENTIAL	11-12 27 42 13-14 8 DIFFERENTIAL TRAVEL 21-22 8 DIFFERENTIAL TRAVEL 23-24 8 DIFFERENTIAL TRAVEL	.330 2.9	N/A	1290	13	250

CAM ACTUATION PER EN50041, FIGURES 8 AND 9

CATALOG LISTING	CONTACT BLOCK DIAGRAM	NOMINAL TRAVELS AND RELATED TERMINALS - CONTACT CLOSED, - CONTACT OPEN, - CONTACT CLOSED DIFFERENTIAL TRAVEL, ** POSITIVE OPENING TO IEC 947-5-1 DIMENSIONS IN mm	MAXIMUM OPERATING FORCE N	MAXIMUM DISCONNECT FORCE N	MAX OPERATE VEL M/S	MIN OPERATE VEL mm/S	MAX OPERATE FREQUENCY OPS/MIN
GL**01A*	SNAP - ACTION CONTACTS SINGLE POLE	21-22 0 20 56** 13-14 12 DIFFERENTIAL TRAVEL	9.7 2.2	11.4 2.6	.85 33.5	8.5 .33	250
GL**03A*	SLOW ACTING BREAK BEFORE MAKE	21-22 0 20** 13-14 32	9.7 2.2	11.4 2.6	.85 33.5	8.5 .33	250
GL**04A*	SLOW ACTING MAKE BEFORE BREAK	21-22 0 20** 13-14 8	9.7 2.2	11.4 2.6	.85 33.5	8.5 .33	250
GL**20A* GL**24A*	SNAP ACTION CONTACTS DOUBLE POLE	11-12, 21-22 0 20 56** 13-14, 23-24 12 DIFFERENTIAL TRAVEL	9.7 2.2	11.8 2.7	.85 33.5	8.5 .33	250
GL**21A* GL**25A*	SNAP ACTION CONTACTS DOUBLE POLE SEQUENTIAL	11-12 0 20 38.5 13-14 8.5 DIFFERENTIAL TRAVEL 21-22 7 DIFFERENTIAL TRAVEL 23-24 7 DIFFERENTIAL TRAVEL	9.7 2.2	N/A	.85 33.5	8.5 .33	250

CAM ACTUATION PER EN50041, FIGURES 8 AND 9

CATALOG LISTING	CONTACT BLOCK DIAGRAM	NOMINAL TRAVELS AND RELATED TERMINALS - CONTACT CLOSED, - CONTACT OPEN, - CONTACT CLOSED DIFFERENTIAL TRAVEL, ** POSITIVE OPENING TO IEC 947-5-1 DIMENSIONS IN mm	MAXIMUM OPERATING FORCE N	MAXIMUM DISCONNECT FORCE N	MAX OPERATE VEL M/S	MIN OPERATE VEL mm/S	MAX OPERATE FREQUENCY OPS/MIN
GL**26J*	SNAP ACTION CONTACTS DOUBLE POLE CENTER NEUTRAL	11-12 0 16 13-14 8 DIFFERENTIAL TRAVEL 21-22 8 DIFFERENTIAL TRAVEL 23-24 8 DIFFERENTIAL TRAVEL	9.7 2.2	N/A	.85 33.5	8.5 .33	250

THIS DRAWING COVERS A PROPRIETARY ITEM AND IS THE PROPERTY OF MICRO SWITCH, A DIVISION OF HONEYWELL. THIS DRAWING IS NOT TO BE COPIED OR USED WITHOUT THE APPROVAL OF MICRO SWITCH.

FED. MFG. CODE 91929

**MICRO SWITCH**  
a Honeywell Division

SWITCH, ENCLOSED

GL SERIES CHART 1

SI METRIC  US CUSTOMARY

DESIGN UNITS  WEIGHT

THIRD ANGLE PROJECTION

SCALE FULL

DO NOT SCALE PRINT

TOLERANCES  
APPLY TO DESIGN UNITS. CONVERSIONS ARE ONLY FOR REFERENCE. UNLESS NOTED, TOLERANCES ARE:

NO PLACES	1X	12.00	0.01	0.01	0.01
TWO PLACES	X.1X	0.01	0.001	0.001	0.001
THREE PLACES	X.1X	0.001	0.0001	0.0001	0.0001

ANGLES ±2°

MGL SERIES CHART 1  
 DRAWING NUMBER: 4 OF 8  
 RELEASE NO. PR-20782  
 PTC/CAD  
 DRAWN: S.A.V. 2/MAR/06  
 CHECK: [ ]  
 APPROVED: [ ]  
 DATE: 27 MAR 06  
 CO: 93181  
 REV: 02/08



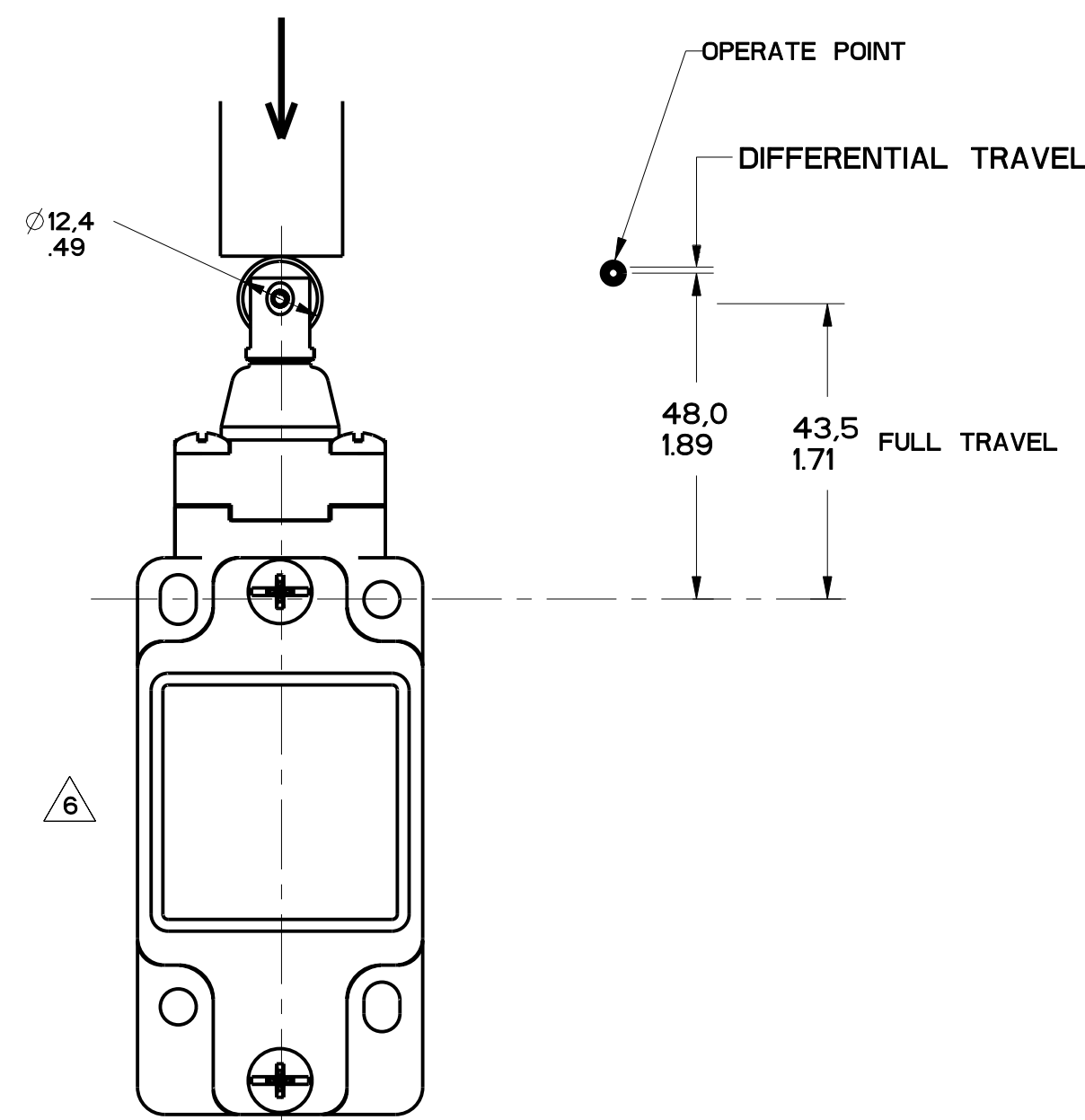


FIGURE 13A

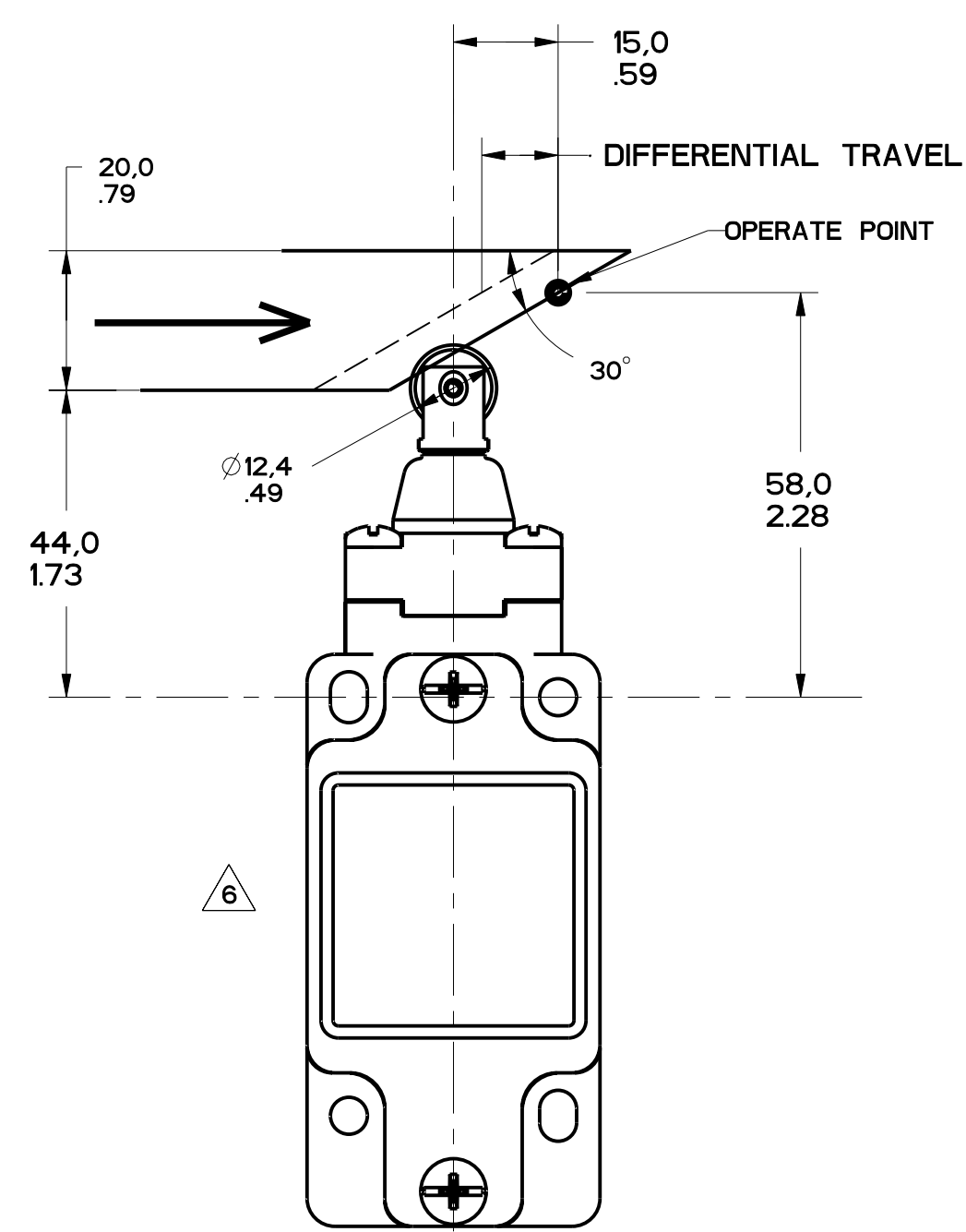


FIGURE 13B

FIGURE 13A, ROLLER PLUNGER HEAD, PIN ACTUATION

CATALOG LISTING	CONTACT BLOCK DIAGRAM	NOMINAL TRAVELS AND RELATED TERMINALS - CONTACT CLOSED, - CONTACT OPEN, - CONTACT CLOSED DIFFERENTIAL TRAVEL, ** POSITIVE OPENING TO IEC 947-5-1	MAXIMUM OPERATING FORCE N	MAXIMUM DISCONNECT FORCE N	MAX OPERATE VEL M/S	MIN OPERATE VEL mm/S	MAX OPERATE FREQUENCY OPS/MIN
GL**01C	SNAP - ACTION CONTACTS SINGLE POLE	50.5 48 46** 43.5 21-22 13-14 0.9 DIFFERENTIAL TRAVEL	16 3.6	27 6.0	0.1 3.9	1.0 0.4	250
GL**03C	SLOW ACTING BREAK BEFORE MAKE	50.5 48** 43.5 21-22 13-14 47	16 3.6	27 6.0	0.1 3.9	1.0 0.4	250
GL**04C	SLOW ACTING MAKE BEFORE BREAK	50.5 47** 43.5 21-22 13-14 48	16 3.6	27 6.0	0.1 3.9	1.0 0.4	250
GL**20C GL**24C	SNAP ACTION CONTACTS DOUBLE POLE	50.5 48 46** 43.5 11-12, 21-22 13-14, 23-24 0.9 DIFFERENTIAL TRAVEL	16 3.6	37 8.2	0.1 3.9	1.0 0.4	250
GL**21C GL**25C	SNAP ACTION CONTACTS DOUBLE POLE SEQUENTIAL	50.5 48 46.8 43.5 11-12 13-14 21-22 23-24 1.8 DIFFERENTIAL TRAVEL .8 DIFFERENTIAL TRAVEL	16 3.6	N/A	0.1 3.9	1.0 0.4	250

FIGURE 13B, TOP ROLLER PLUNGER HEAD, CAM ACTUATION PER EN50041

CATALOG LISTING	CONTACT BLOCK DIAGRAM	NOMINAL TRAVELS AND RELATED TERMINALS - CONTACT CLOSED, - CONTACT OPEN, - CONTACT CLOSED DIFFERENTIAL TRAVEL, ** POSITIVE OPENING TO IEC 947-5-1	MAXIMUM OPERATING FORCE N	MAXIMUM DISCONNECT FORCE N	MAX OPERATE VEL M/S	MIN OPERATE VEL mm/S	MAX OPERATE FREQUENCY OPS/MIN
GL**01C	SNAP - ACTION CONTACTS SINGLE POLE	0 15 18.3** 21-22 13-14 1.8 DIFFERENTIAL TRAVEL	9.3 2.1	15.6 3.5	0.17 6.7	1.7 0.67	250
GL**03C	SLOW ACTING BREAK BEFORE MAKE	0 15** 21-22 13-14 16.8	9.3 2.1	15.6 3.5	0.17 6.7	1.7 0.67	250
GL**04C	SLOW ACTING MAKE BEFORE BREAK	0 16.8** 21-22 13-14 15	9.3 2.1	15.6 3.5	0.17 6.7	1.7 0.67	250
GL**20C GL**24C	SNAP ACTION CONTACTS DOUBLE POLE	0 15 18.3** 11-12, 21-22 13-14, 23-24 1.8 DIFFERENTIAL TRAVEL	9.3 2.1	21.4 4.8	0.17 6.7	1.7 0.67	250
GL**21C GL**25C	SNAP ACTION CONTACTS DOUBLE POLE SEQUENTIAL	0 15 16.9 11-12 13-14 21-22 23-24 1.4 DIFFERENTIAL TRAVEL 1.4 DIFFERENTIAL TRAVEL	9.3 2.1	N/A	0.17 6.7	1.7 0.67	250

THIRD ANGLE PROJECTION

SCALE FULL

DO NOT SCALE PRINT

TOLERANCES

APPLY TO DESIGN UNITS. CONVERSIONS ARE ONLY FOR REFERENCE. UNLESS NOTED, TOLERANCES ARE:

NO PLACES DIM ±0.25

TWO PLACES DIM ±0.13

THREE PLACES DIM ±0.05

ANGLES ±2°

DESIGN UNITS SI METRIC US CUSTOMARY

THIS DRAWING COVERS A PROPRIETARY ITEM AND IS THE PROPERTY OF MICRO SWITCH, A DIVISION OF HONEYWELL. THIS DRAWING IS NOT TO BE COPIED OR USED WITHOUT THE APPROVAL OF MICRO SWITCH.

FED. MFG. CODE 91929 CATALOG LISTING

MICRO SWITCH a Honeywell Division

SWITCH, ENCLOSED

GL SERIES CHART 1

MASTER REDUCED ANSI Y14.5M-1982 APPLIES

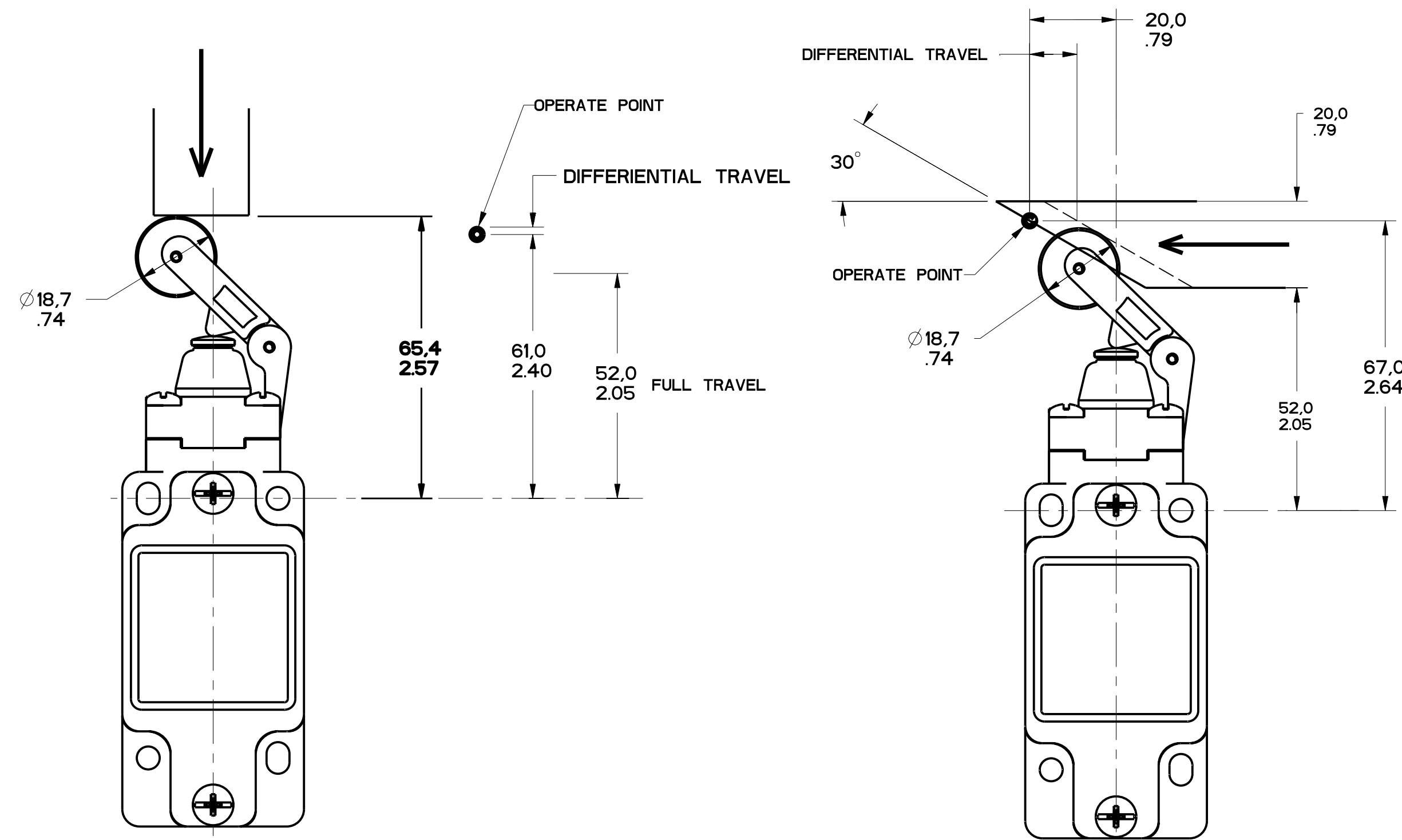


FIGURE 14A

FIGURE 14B

FIGURE 14A, TOP ROLLER LEVER HEAD WITH PIN ACTUATION

CATALOG LISTING	CONTACT BLOCK DIAGRAM	NOMINAL TRAVELS AND RELATED TERMINALS - CONTACT CLOSED, - CONTACT OPEN, - CONTACT CLOSED DIFFERENTIAL TRAVEL, ** POSITIVE OPENING TO IEC 947-5-1	MAXIMUM OPERATING FORCE N	MAXIMUM DISCONNECT FORCE N	MAX OPERATE VEL M/S	MIN OPERATE VEL M/S	MAX OPERATE FREQUENCY OPS/MIN
GL**01D	SNAP - ACTION CONTACTS SINGLE POLE	65.2 61 56.9** 52 21-22 13-14 1.7 DIFFERENTIAL TRAVEL	9.5 2.1	12 2.7	0.17 6.7	1.7 .067	250
GL**03D	SLOW ACTING BREAK BEFORE MAKE	65.2 61** 52 21-22 13-14 59.1	9.5 2.1	12 2.7	0.17 6.7	1.7 .067	250
GL**04D	SLOW ACTING MAKE BEFORE BREAK	65.2 59.1** 52 21-22 13-14 61	9.5 2.1	12 2.7	0.17 6.7	1.7 .067	250
GL**20D GL**24D	SNAP ACTION CONTACTS DOUBLE POLE	65.2 61 56.9** 52 11-12, 21-22 13-14, 23-24 1.7 DIFFERENTIAL TRAVEL	9.5 2.1	16.4 3.7	0.17 6.7	1.7 .067	250
GL**21D GL**25D	SNAP ACTION CONTACTS DOUBLE POLE SEQUENTIAL	65.2 61 58.6 11-12 13-14 21-22 23-24 1.6 DIFFERENTIAL TRAVEL 1.6 DIFFERENTIAL TRAVEL	9.5 2.1	N/A	0.17 6.7	1.7 .067	250

FIGURE 14B, TOP ROLLER LEVER HEAD WITH CAM ACTUATION

CATALOG LISTING	CONTACT BLOCK DIAGRAM	NOMINAL TRAVELS AND RELATED TERMINALS - CONTACT CLOSED, - CONTACT OPEN, - CONTACT CLOSED DIFFERENTIAL TRAVEL, ** POSITIVE OPENING TO IEC 947-5-1	MAXIMUM OPERATING FORCE N	MAXIMUM DISCONNECT FORCE N	MAX OPERATE VEL M/S	MIN OPERATE VEL mm/S	MAX OPERATE FREQUENCY OPS/MIN
GL**01D	SNAP - ACTION CONTACTS SINGLE POLE	0 20 29.1** 21-22 13-14 4.1 DIFFERENTIAL TRAVEL	5.5 1.2	7.0 1.6	0.29 11.4	2.9 .11	250
GL**03D	SLOW ACTING BREAK BEFORE MAKE	0 20** 21-22 13-14 24.1	5.5 1.2	7.0 1.6	0.29 11.4	2.9 .11	250
GL**04D	SLOW ACTING MAKE BEFORE BREAK	0 24.1** 21-22 13-14 20	5.5 1.2	9.6 2.2	0.29 11.4	2.9 .11	250
GL**20D GL**24D	SNAP ACTION CONTACTS DOUBLE POLE	0 20 29.1** 11-12, 21-22 13-14, 23-24 4.1 DIFFERENTIAL TRAVEL	5.5 1.2	7.0 1.6	0.29 11.4	2.9 .11	250
GL**21D GL**25D	SNAP ACTION CONTACTS DOUBLE POLE SEQUENTIAL	0 20 25.5 11-12 13-14 21-22 23-24 3.7 DIFFERENTIAL TRAVEL 3.7 DIFFERENTIAL TRAVEL	5.5 1.2	N/A	0.29 11.4	2.9 .11	250

PTC/CAD DRAWN  
 W.L.S. 20APR03 CHECK  
 G.H. 26AUG03  
 MGL SERIES CHART 1  
 DRAWING NUMBER 7 OF 8  
 RELEASE NO. PR-20782  
 REVISIONS  
 6  
 1  
 2  
 3  
 4  
 5  
 6  
 7  
 8  
 9  
 10  
 11  
 12  
 13  
 14  
 15  
 16  
 17  
 18  
 19  
 20  
 21  
 22  
 23  
 24  
 25  
 26  
 27  
 28  
 29  
 30  
 31  
 32  
 33  
 34  
 35  
 36  
 37  
 38  
 39  
 40  
 41  
 42  
 43  
 44  
 45  
 46  
 47  
 48  
 49  
 50  
 51  
 52  
 53  
 54  
 55  
 56  
 57  
 58  
 59  
 60  
 61  
 62  
 63  
 64  
 65  
 66  
 67  
 68  
 69  
 70  
 71  
 72  
 73  
 74  
 75  
 76  
 77  
 78  
 79  
 80  
 81  
 82  
 83  
 84  
 85  
 86  
 87  
 88  
 89  
 90  
 91  
 92  
 93  
 94  
 95  
 96  
 97  
 98  
 99  
 100

THIS DRAWING COVERS A PROPRIETARY ITEM AND IS THE PROPERTY OF MICRO SWITCH, A DIVISION OF HONEYWELL. THIS DRAWING IS NOT TO BE COPIED OR USED WITHOUT THE APPROVAL OF MICRO SWITCH.

FED. MFG. CODE 91929

**MICRO SWITCH**  
a Honeywell Division

SWITCH, ENCLOSED

CATALOG LISTING

**GL SERIES CHART 1**

THIRD ANGLE PROJECTION

SCALE FULL

DO NOT SCALE PRINT

TOLERANCES  
APPLY TO DESIGN UNITS. CONVERSIONS ARE ONLY FOR REFERENCE, UNLESS NOTED. TOLERANCES ARE:

NO PLACES	±.04	±.04	±.04	±.04
TWO PLACES	±.01	±.01	±.01	±.01
THREE PLACES	±.005	±.005	±.005	±.005
ANGLES	±.05°	±.05°	±.05°	±.05°

DESIGN UNITS:  SI METRIC  US CUSTOMARY

WEIGHT

FIGURE 15, CAT WISKER HEAD, ANGULAR ACTUATION

CATALOG LISTING	CONTACT BLOCK DIAGRAM	NOMINAL TRAVELS AND RELATED TERMINALS - CONTACT CLOSED - CONTACT OPEN, DIFFERENTIAL TRAVEL	MAXIMUM OPERATING TORQUE N-m LB-IN	MAXIMUM DISCONNECT TORQUE N-m LB-IN	MAX OPERATE DEGREE/S	MIN OPERATE VELOCITY DEGREE/S	MAX OPERATE RATE CYCLES/MIN
GL**01K	SNAP - ACTION CONTACTS SINGLE POLE 	 21-22 13-14 18° 8° DIFFERENTIAL TRAVEL	$\frac{0.1}{.9}$	N/A	360	8	100
GL**20K GL**24K	SNAP ACTION CONTACTS DOUBLE POLE 	 11-12, 21-22 13-14, 23-24 18° 8° DIFFERENTIAL TRAVEL	$\frac{0.1}{.9}$	N/A	360	8	100

FIGURE 15, CAT WISKER HEAD, SIDE ACTUATION AT 100mm

CATALOG LISTING	CONTACT BLOCK DIAGRAM	NOMINAL TRAVELS AND RELATED TERMINALS - CONTACT CLOSED - CONTACT OPEN, DIFFERENTIAL TRAVEL	MAXIMUM OPERATING FORCE N LB	MAXIMUM DISCONNECT FORCE N LB	MAX OPERATE VEL. M/S FT/S	MIN OPERATE VEL. mm/S IN/S	MAX OPERATE FREQUENCY OPS/MIN
GL**01K	SNAP - ACTION CONTACTS SINGLE POLE 	 21-22 13-14 26 12 DIFFERENTIAL TRAVEL	$\frac{1.3}{.3}$	N/A	$\frac{.5}{19.7}$	$\frac{11}{.43}$	100
GL**20K GL**24K	SNAP ACTION CONTACTS DOUBLE POLE 	 11-12, 21-22 13-14, 23-24 26 12 DIFFERENTIAL TRAVEL	$\frac{1.3}{.3}$	N/A	$\frac{.5}{19.7}$	$\frac{11}{.43}$	100

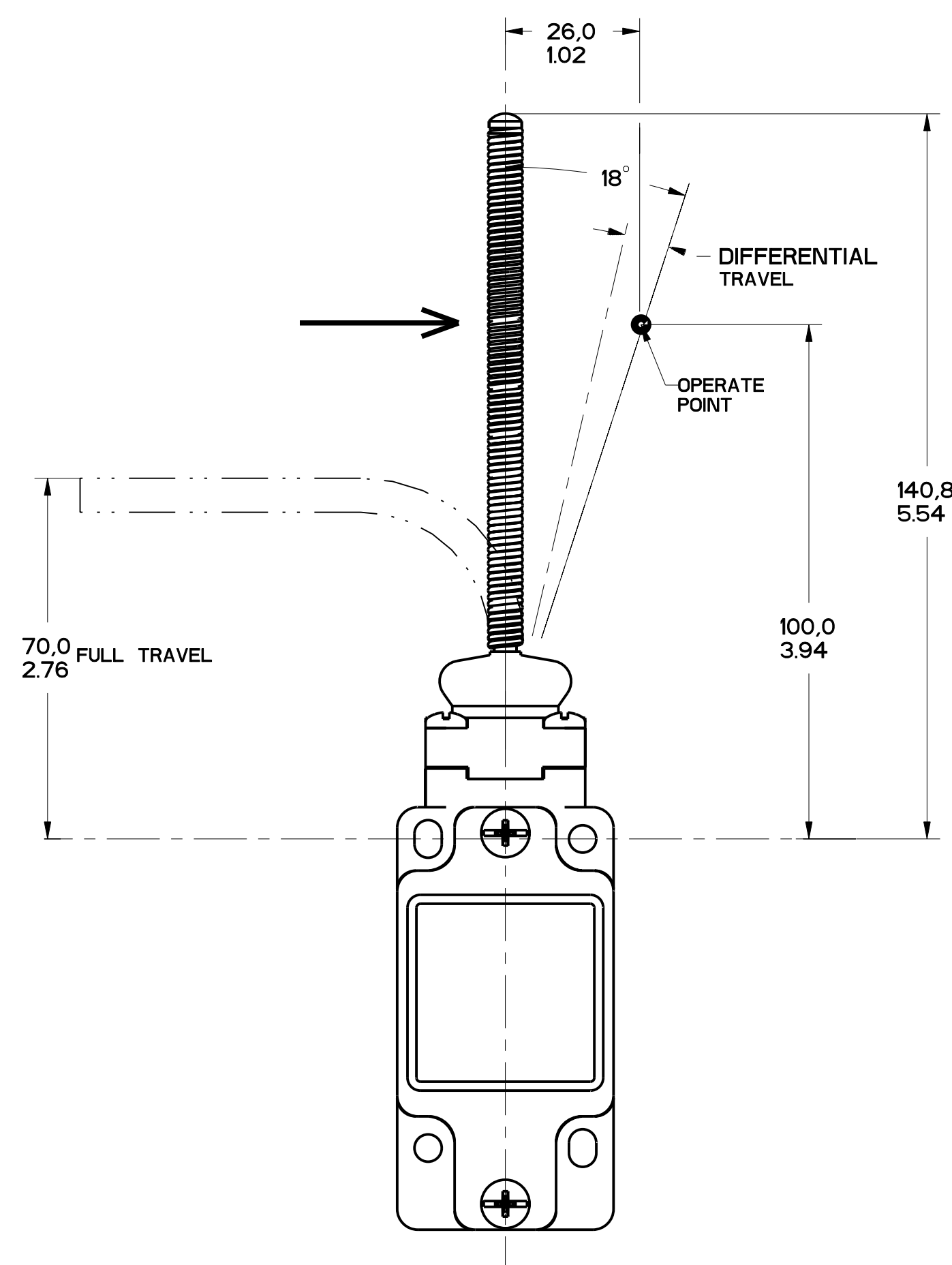


FIGURE 15

ISSUE	6
DRAWING NUMBER	26AUG93
DESIGNED BY	W.L.S.
CHECKED BY	W.L.S.
DATE	26AUG93
SCALE	FULL
PROJ. VIEWS	THIRD ANGLE PROJECTION
REVISIONS	
NO.	DESCRIPTION
1	REVISED TO 26AUG93
2	REVISED TO 26AUG93
3	REVISED TO 26AUG93
4	REVISED TO 26AUG93
5	REVISED TO 26AUG93
6	REVISED TO 26AUG93
7	REVISED TO 26AUG93
8	REVISED TO 26AUG93
9	REVISED TO 26AUG93
10	REVISED TO 26AUG93
11	REVISED TO 26AUG93
12	REVISED TO 26AUG93
13	REVISED TO 26AUG93
14	REVISED TO 26AUG93
15	REVISED TO 26AUG93
16	REVISED TO 26AUG93
17	REVISED TO 26AUG93
18	REVISED TO 26AUG93
19	REVISED TO 26AUG93
20	REVISED TO 26AUG93
21	REVISED TO 26AUG93
22	REVISED TO 26AUG93
23	REVISED TO 26AUG93
24	REVISED TO 26AUG93
25	REVISED TO 26AUG93
26	REVISED TO 26AUG93
27	REVISED TO 26AUG93
28	REVISED TO 26AUG93
29	REVISED TO 26AUG93
30	REVISED TO 26AUG93
31	REVISED TO 26AUG93
32	REVISED TO 26AUG93
33	REVISED TO 26AUG93
34	REVISED TO 26AUG93
35	REVISED TO 26AUG93
36	REVISED TO 26AUG93
37	REVISED TO 26AUG93
38	REVISED TO 26AUG93
39	REVISED TO 26AUG93
40	REVISED TO 26AUG93
41	REVISED TO 26AUG93
42	REVISED TO 26AUG93
43	REVISED TO 26AUG93
44	REVISED TO 26AUG93
45	REVISED TO 26AUG93
46	REVISED TO 26AUG93
47	REVISED TO 26AUG93
48	REVISED TO 26AUG93
49	REVISED TO 26AUG93
50	REVISED TO 26AUG93
51	REVISED TO 26AUG93
52	REVISED TO 26AUG93
53	REVISED TO 26AUG93
54	REVISED TO 26AUG93
55	REVISED TO 26AUG93
56	REVISED TO 26AUG93
57	REVISED TO 26AUG93
58	REVISED TO 26AUG93
59	REVISED TO 26AUG93
60	REVISED TO 26AUG93
61	REVISED TO 26AUG93
62	REVISED TO 26AUG93
63	REVISED TO 26AUG93
64	REVISED TO 26AUG93
65	REVISED TO 26AUG93
66	REVISED TO 26AUG93
67	REVISED TO 26AUG93
68	REVISED TO 26AUG93
69	REVISED TO 26AUG93
70	REVISED TO 26AUG93
71	REVISED TO 26AUG93
72	REVISED TO 26AUG93
73	REVISED TO 26AUG93
74	REVISED TO 26AUG93
75	REVISED TO 26AUG93
76	REVISED TO 26AUG93
77	REVISED TO 26AUG93
78	REVISED TO 26AUG93
79	REVISED TO 26AUG93
80	REVISED TO 26AUG93
81	REVISED TO 26AUG93
82	REVISED TO 26AUG93
83	REVISED TO 26AUG93
84	REVISED TO 26AUG93
85	REVISED TO 26AUG93
86	REVISED TO 26AUG93
87	REVISED TO 26AUG93
88	REVISED TO 26AUG93
89	REVISED TO 26AUG93
90	REVISED TO 26AUG93
91	REVISED TO 26AUG93
92	REVISED TO 26AUG93
93	REVISED TO 26AUG93
94	REVISED TO 26AUG93
95	REVISED TO 26AUG93
96	REVISED TO 26AUG93
97	REVISED TO 26AUG93
98	REVISED TO 26AUG93
99	REVISED TO 26AUG93
100	REVISED TO 26AUG93

THIS DRAWING COVERS A PROPRIETARY ITEM AND IS THE PROPERTY OF MICRO SWITCH, A DIVISION OF HONEYWELL. THIS DRAWING IS NOT TO BE COPIED OR USED WITHOUT THE APPROVAL OF MICRO SWITCH.

FED. MFG. CODE 91929

**MICRO SWITCH**  
a Honeywell Division

SWITCH, ENCLOSED

CATALOG LISTING  
**GL SERIES CHART 1**

NO PLACES	X	1/100	0.01	0.01	0.01
ONE PLACE	X, XX	0.001	0.001	0.001	0.001
TWO PLACES	X, XX	0.0001	0.0001	0.0001	0.0001
THREE PLACES	X, XX	0.00001	0.00001	0.00001	0.00001
ANGLES		± 2'			

DESIGN UNITS  SI METRIC  US CUSTOMARY

WEIGHT

MASTER REDUCED  
ANSI Y14.5M-1982 APPLIES