

**MICRO SWITCH**FREEPORT, ILLINOIS, U.S.A.  
A DIVISION OF HONEYWELL

FED. MFG. CODE 91929

**SWITCH-BASIC**

CATALOG LISTING

**BZ-R-A2****S****BZ-R-A2****M**DRAWING  
NUMBER

ISSUE

8

ISSUE

8

## REVISIONS

A CO  
15200  
JPH  
3 FEB 64B CO23648  
OND  
22 JAN 68C CO34162  
D B W  
2 JUL 78D CO-  
73287-J  
JAL  
22 NOV 83E CO  
77589  
JAL  
30 MAR 94

REPLACES

RELEASE NO.

CHECK

CHECK

CHECK

CHECK

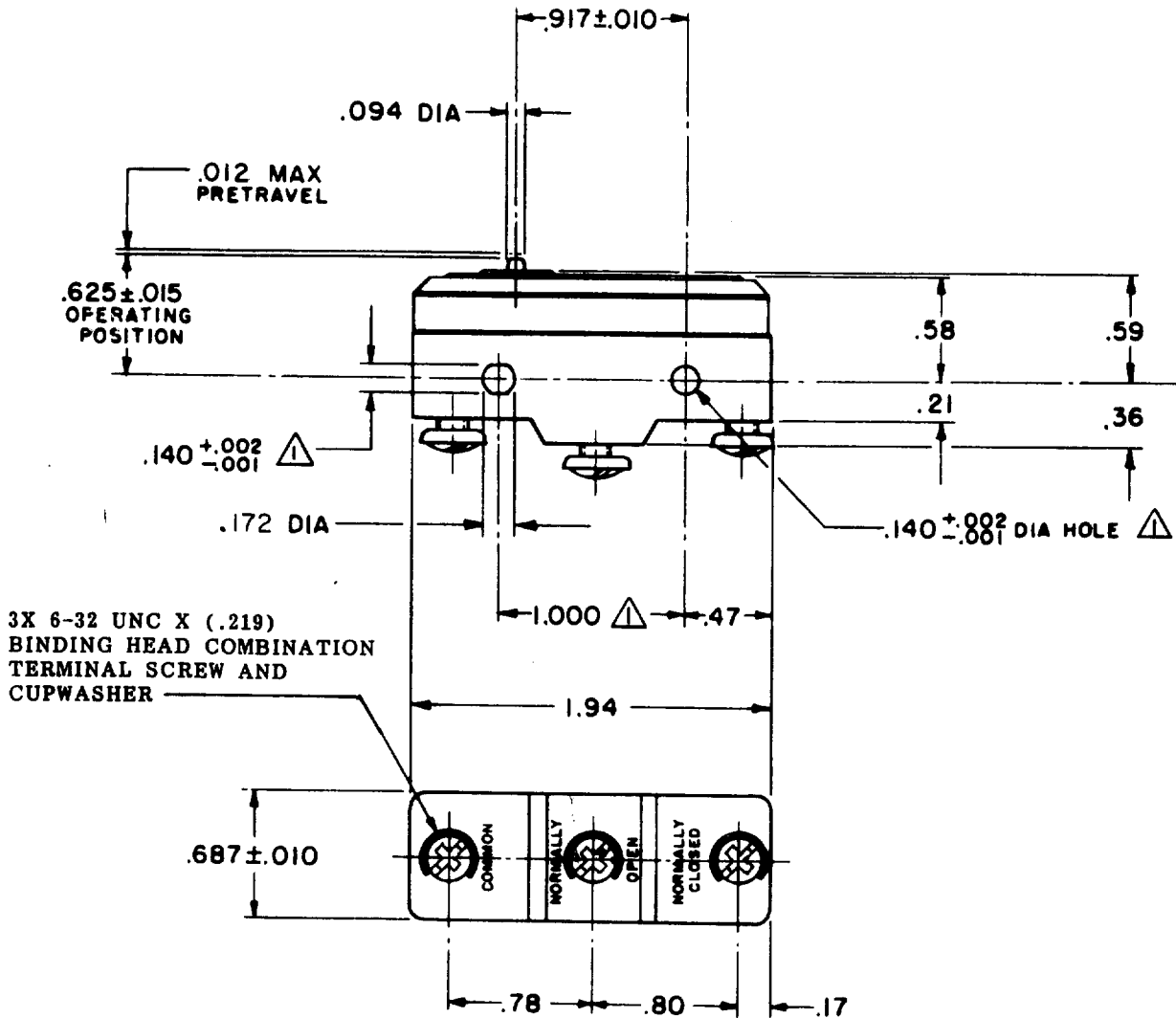
CHECK

CHECK

CHECK

CHECK

CHECK



NOTE -

- MOUNTING HOLES WILL ACCEPT PINS OR SCREWS OF .139 MAX DIA ON 1.000 ± .002 CENTERS

THIS DRAWING COVERS A PROPRIETARY ITEM AND IS THE PROPERTY OF MICRO SWITCH, A DIVISION OF MINNEAPOLIS-HONEYWELL REGULATOR CO. THIS DRAWING IS NOT TO BE COPIED OR USED WITHOUT THE APPROVAL OF MICRO SWITCH.

**CHARACTERISTICS**

OPERATING FORCE-----7-9 OZ

RELEASE FORCE-----4 OZ. MIN

DIFFERENTIAL TRAVEL---.00020-.00035

OVERTRAVEL-----.005 MIN

**ELECTRICAL DATA**CONTACT ARRANGEMENT  
S. P. D. T.

UNDERWRITERS' LAB. INC. LISTED RATING  
-L103- 15 A-125, 250 OR 400 VAC  
1/8 HP-125 VAC; 1/4 HP-250 VAC

**SCALE FULL**

DO NOT SCALE PRINT

UNLESS OTHERWISE NOTED

DIMENSIONS ARE IN INCHES

**TOLERANCES ARE:**

ONE PLACE	(.0)	±.030
TWO PLACE	(.00)	±.015
THREE PLACE	(.000)	±.005
ANGLES		±

WEIGHT .060 LB

FO-80378

DRAWN

JPH 4 FEB '64