

# Customer Information Sheet

DRAWING No.: M20-996XXX

SHEET 2 OF 2

IF IN DOUBT - ASK

(C)

NOT TO SCALE

THIRD ANGLE PROJECTION

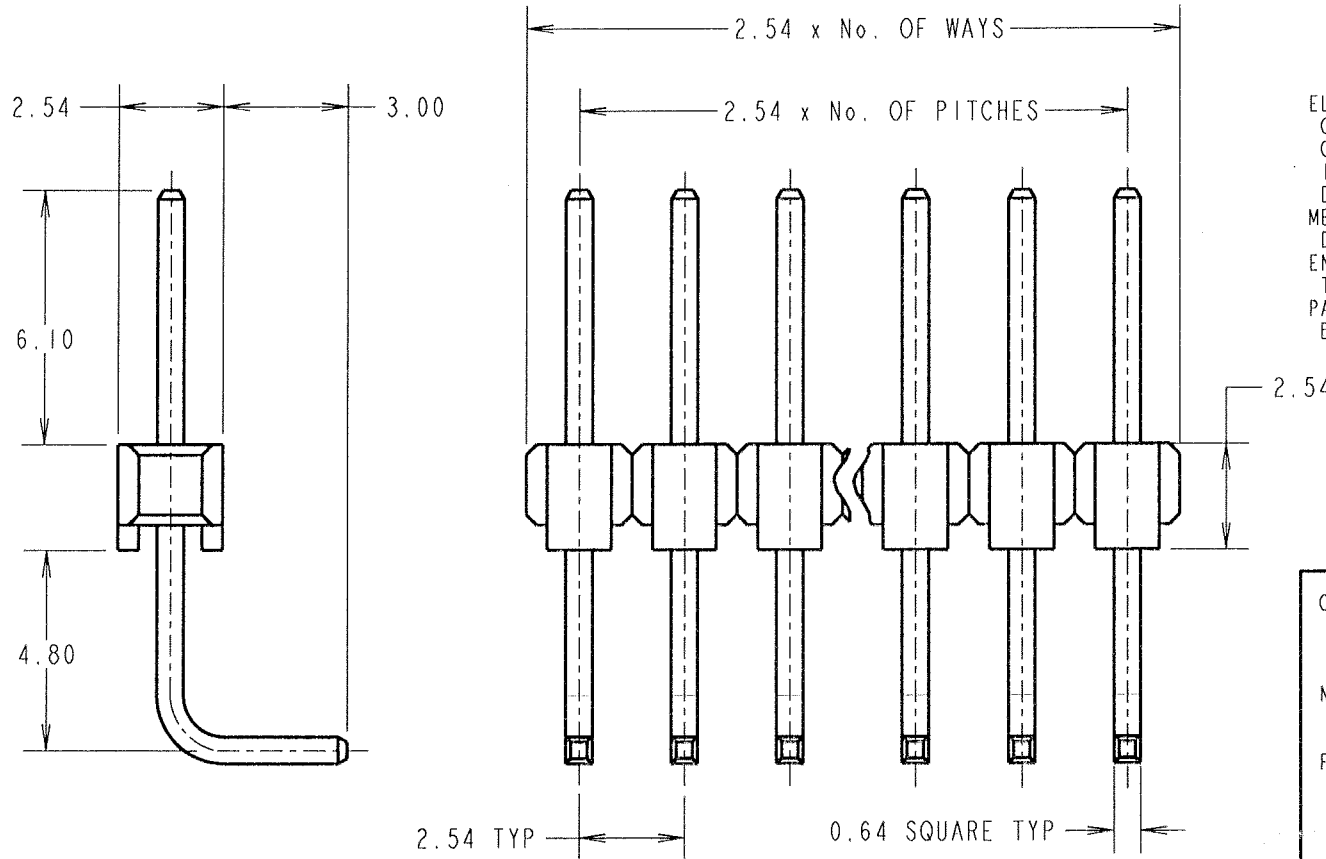
ALL DIMENSIONS IN mm

**NOTES:**

1. RECOMMENDED PCB MOUNTING HOLE SIZE =  $\varnothing 1.00\text{mm}$ .
2. ALL TOLERANCES ARE  $\pm 0.25\text{mm}$  UNLESS OTHERWISE STATED.
3. FOR COMPLETE SPECIFICATION, SEE COMPONENT SPECIFICATION C001XX (LATEST ISSUE).

**SPECIFICATION:**

MATERIAL:  
 MOULDING:  
 05 & 06 = GLASS-FILLED POLYESTER UL94V-0, BLACK  
 45 & 46 = HIGH TEMP NLYON 6T UL94V-0, BLACK  
 PINS = BRASS  
 FINISH:  
 PINS:  
 05 = GOLD  
 06 = TIN/LEAD  
 45 = GOLD  
 46 = 100% TIN  
 ELECTRICAL:  
 CURRENT RATING = 3A MAX  
 CONTACT RESISTANCE = 25 m $\Omega$  MAX (GOLD), 30 m $\Omega$  MAX (TIN)  
 INSULATION RESISTANCE = 1,000 M $\Omega$  MIN  
 DIELECTRIC STRENGTH = 750V AC/DC  
 MECHANICAL:  
 DURABILITY = 300 OPERATIONS (GOLD), 50 OPERATIONS (TIN)  
 ENVIRONMENTAL:  
 TEMPERATURE RANGE = -40°C TO +105°C  
 PACKING:  
 BAG



ORDER CODE:	<b>M20-996XXX</b>
No. OF WAYS	02 TO 40
FINISH:	05 = GOLD 06 = TIN/LEAD 45 = GOLD 46 = 100% TIN

JMB	19	24.08.05	8718
NAME	ISS.	DATE	C/NOTE
APPROVED: <i>[Signature]</i>			
CHECKED: <i>[Signature]</i>			
DRAWN: J. CLAY			
CUSTOMER REF.:			
ASSEMBLY DRG:			

**HARWIN**

THIS DRAWING AND ANY INFORMATION OR DESCRIPTIVE MATTER SET OUT HEREON ARE CONFIDENTIAL AND COPYRIGHT PROPERTY OF THE HARWIN GROUP AND MUST NOT BE DISCLOSED, LOANED, COPIED OR USED FOR MANUFACTURING, TENDERING OR FOR ANY OTHER PURPOSE WITHOUT THEIR WRITTEN PERMISSION.

TOLERANCES  
~~X =  $\pm 1\text{mm}$~~   
~~X.X =  $\pm 0.25\text{mm}$~~   
~~X.XX =  $\pm 0.10\text{mm}$~~   
~~X.XXX =  $\pm 0.01\text{mm}$~~   
 ANGLES =  $\pm 5^\circ$   
 UNLESS STATED

MATERIAL:

SEE ABOVE

FINISH:

SEE ABOVE

S/AREA:

mm<sup>2</sup>

TITLE:

2.54mm PITCH SIL HORIZONTAL PC TAIL PIN HEADER ASSEMBLY

DRAWING NUMBER:

**M20-996XXX**

HARWIN INC  
 U.S.A.  
 TEL: (812) 542 2540  
 FAX: (812) 542 2541

HARWIN PLC  
 U.K.  
 TEL: 023 9231 4545  
 FAX: 023 9231 4590

HARWIN PTE  
 SINGAPORE  
 TEL: 65 6779 4909  
 FAX: 65 6779 3868

SHT  
 2  
 OF  
 2