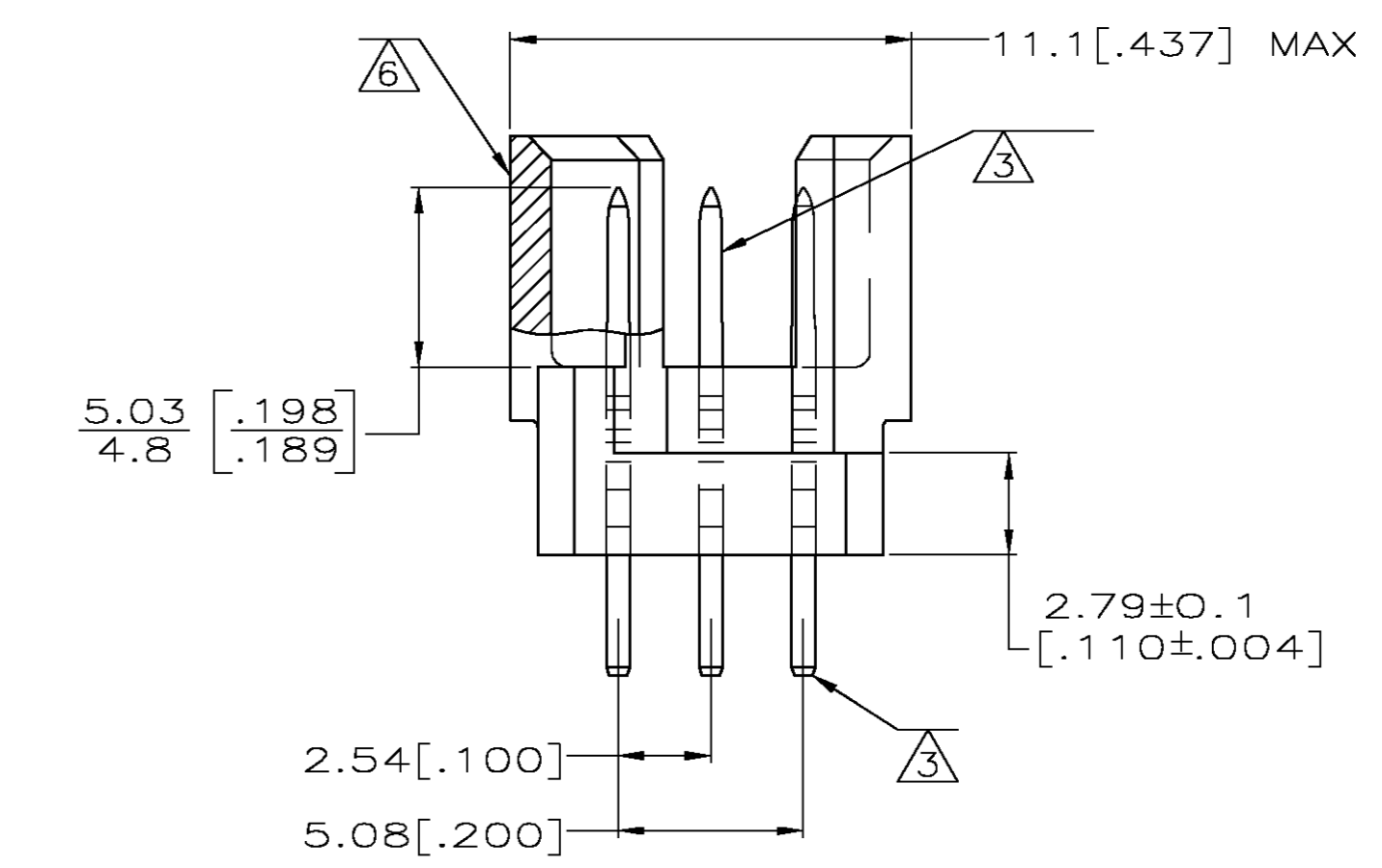


- ① HOUSING MATERIAL: GLASS-FILLED POLYMER. COLOR: GRAY.
- ② POST MATERIAL: COPPER ALLOY.
- ③ POST FINISH: DIN 41612 CLASS 2 IN CONTACT AREA. TIN PLATE ON POSTS.
- ④ RECOMMENDED HOLE SIZE FOR MANUAL APPLICATION OF CONNECTOR ONTO PC BOARD.
- ⑤ PART NUMBER, DATE CODE MARKED THIS APPROXIMATE AREA.
- ⑥ MARKING ON THIS SIDE.



NOTES	③	1-16	X	X	X	48	5650479-5
		POSITIONS LOADED	C	B	A	NO. OF LOADED POSITION	ASSY PART NUMBER

THIS DRAWING IS A CONTROLLED DOCUMENT.

DIMENSIONS:	TOLERANCES UNLESS OTHERWISE SPECIFIED:	DRN	J. POLIGNONE	18APR05	tyco	Tyco Electronics Corporation
mm [INCHES]	0 PLC ± -	CHK	A. SHARPE	18APR05	Electronics	Harrisburg, Pa 17105-3608
	1 PLC ± -	APP'D	A. SHARPE	18APR05	NAME	ASSEMBLY, PIN, EUROCARD, TYPE R/2
	2 PLC ± -	PRODUCT SPEC				LEAD-FREE, 48, .130 SOLDER POST
	3 PLC ± 0.13[.005]	APPLICATION SPEC			SIZE	CAGE CODE DRAWING NO
	4 PLC ± -				A1	00779 C=5650479
	ANGLES ± -	WEIGHT			RESTRICTED TO	
	FINISH				CUSTOMER DRAWING	SCALE 5:1 SHEET 1 OF 1 REV 0