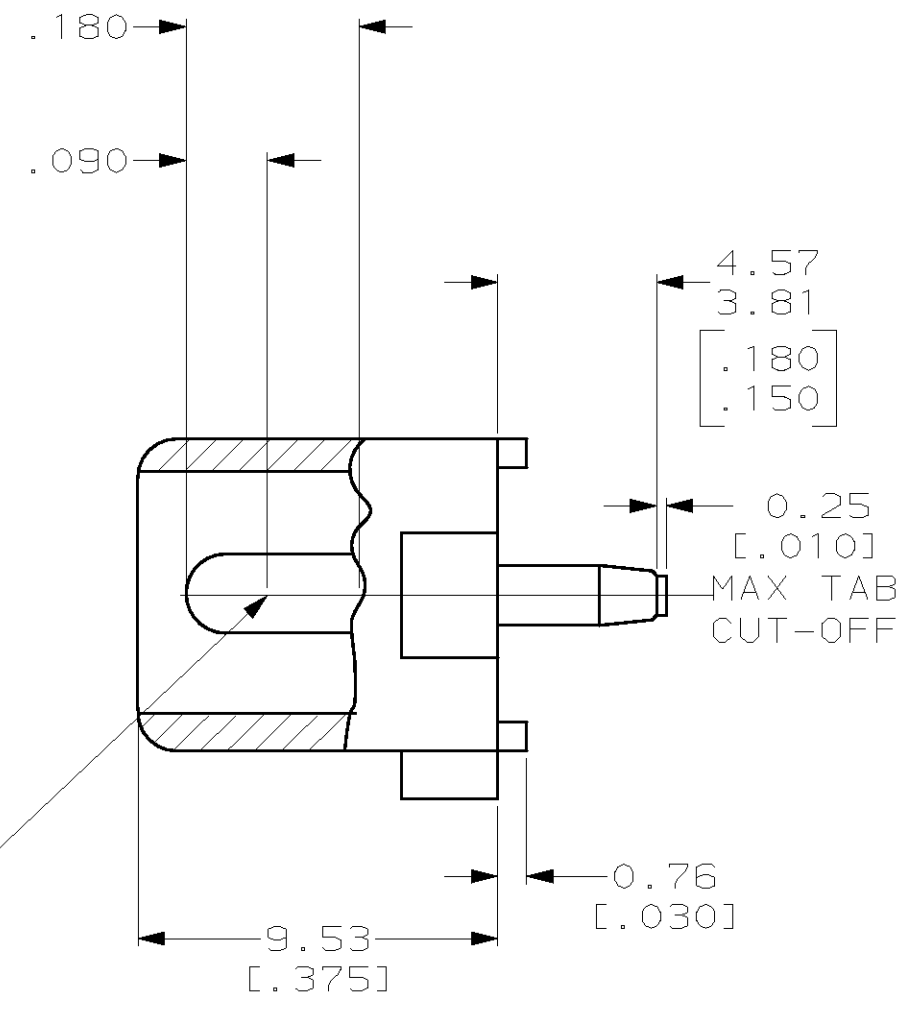
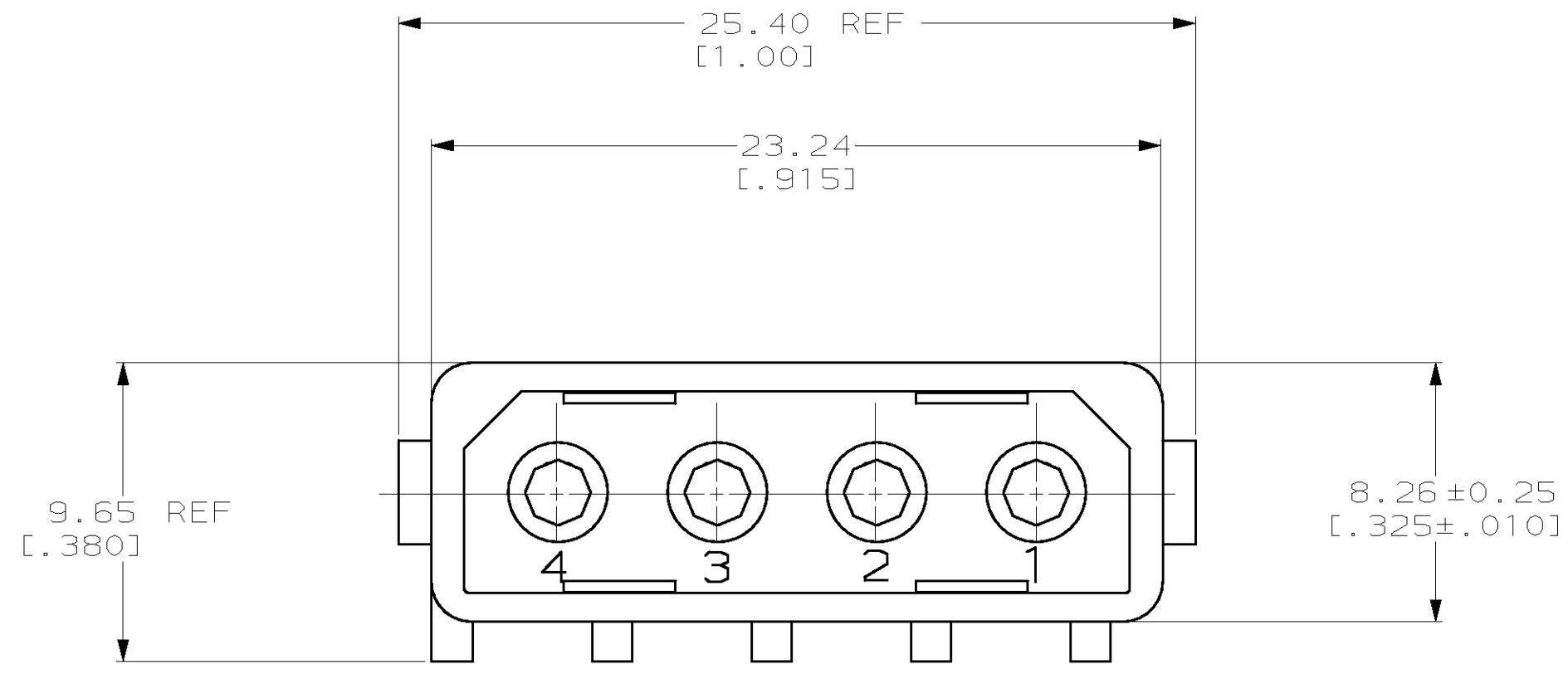


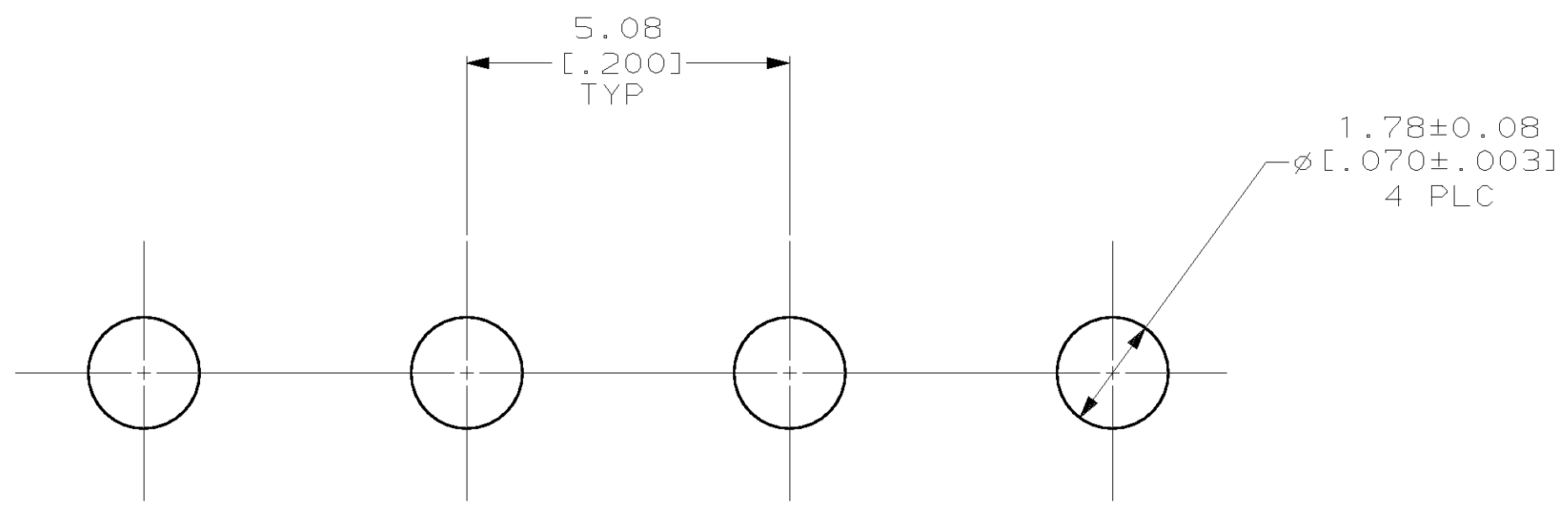
THIS DRAWING IS UNPUBLISHED. RELEASED FOR PUBLICATION
 (C) COPYRIGHT 19 BY AMP INCORPORATED. ALL RIGHTS RESERVED.

CM 53		REVISIONS			
P	LTR	DESCRIPTION	DATE	DWN	APVD
U		REV & REDWN PER EC 0L30-0052-97	3-26-97	JH	RS



- PARTS MUST COMPLY WITH AMP SOLDERABILITY SPECIFICATION 109-11-3.
- CONTACT IS PLATED OVERALL WITH 0.00127 [0.00050] NICKEL, THEN 0.00076 [0.00030] GOLD OVER CONTACT LENGTH INDICATED AND MATTE TIN ON SOLDER TAIL END.
- DIMENSIONS IN BRACKETS ARE IN INCHES.

POINT OF MEASUREMENT



RECOMMENDED P.C. BOARD LAYOUT
 FOR 1.57 [.062] THICK P.C. BOARD
 SCALE 10:1

PHOS BRZ, TIN LEAD	NYLON, UL94V-2	350211-3
	NYLON, UL94V-2	350211-2
PHOS BRZ, PRE-TIN	NYLON, UL94V-2	350211-1
PIN CONTACT MATERIAL & FINISH	HOUSING MATERIAL & COLOR	PART NUMBER

<small>THIS DRAWING IS A CONTROLLED DOCUMENT FOR AMP INCORPORATED. IF IT IS SUBJECT TO CHANGE AND THE CONTROLLING ENGINEERING ORGANIZATION SHOULD BE CONTACTED FOR THE LATEST REVISION.</small>		DWN J. HUFFMAN 3-26-97 CHK R. SWING 3-26-97 APVD C. MARTIN 3-26-97	AMP AMP Incorporated Harrisburg, PA 17105-3608
DIMENSIONS: mm [INCHES] 		TOLERANCES UNLESS OTHERWISE SPECIFIED: 0 PLC ±- 1 PLC ±- 2 PLC ±0.13 [.005] 3 PLC ±- 4 PLC ±- ANGLES ±0°30' FINISH SEE TABLE	NAME: HEADER ASSEMBLY, 4 CIRCUIT, COMMERCIAL MATE-N-LOK™ SIZE: A2 CAGE CODE: 00779 DRAWING NO: C-350211 SCALE: 5:1 SHEET 1 OF 1 REV U
MATERIAL: SEE TABLE		CUSTOMER DRAWING	



350211